



## HEARTH PRODUCTS

HEARTH PRODUCTS  
KITS AND ACCESSORIES

750,238M  
REV. NC, 08/2007

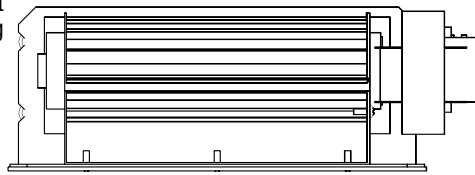
MODEL ADAGIO-BLWR BLOWER KIT

### INSTALLATION INSTRUCTIONS FOR BLOWER KIT, MODEL ADAGIO-BLWR (CAT. NO. H6161) FOR USE WITH ADAGIO™-MN & ADAGIO-MP DIRECT-VENT GAS FIREPLACE HEATERS



#### KIT CONTENTS:

- 1 ea. Blower
- 1 ea. Instruction Sheet
- 2 ea. Blower Mounting Screws
- 2 ea. Wire Clips



#### TOOLS / SUPPLIES NEEDED

- 3/8" Nut Driver
- 3/4" Wrench

#### GENERAL INFORMATION

**IMPORTANT NOTE:** This Forced Air Blower Kit can be use on millivolt models only.

The main power supply must be wired to the J-box/receptacle and wall switch at the time the fireplace was installed (if not, then this kit cannot be installed).

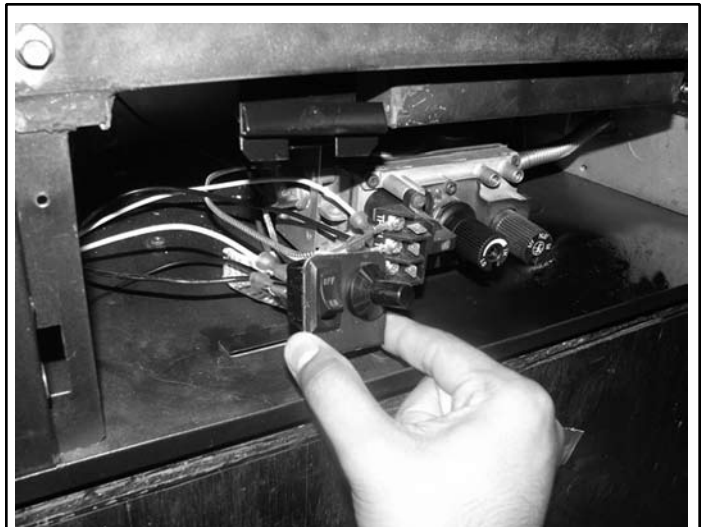
ALL WARNINGS, PRECAUTIONS AND INSTRUCTIONS PROVIDED IN THE INSTALLATION AND OPERATION MANUAL PROVIDED WITH THE APPLIANCE APPLY TO THESE INSTRUCTIONS. THOROUGHLY READ AND FOLLOW THE INSTRUCTIONS PROVIDED WITH THE APPLIANCE BEFORE PROCEEDING TO THE FOLLOWING INSTRUCTIONS.

#### INSTALLATION INSTRUCTIONS

- Step 1.** For your safety, turn off the fireplace and allow it to cool before proceeding.
- Step 2.** If the appliance is connected to 120 volt power, disconnect the power by turning off the circuit breaker.
- Step 3.** Shut off the gas supply to the fireplace.
- Step 4.** Remove the façade if installed.
- Step 5.** Remove the existing on/off switch (for burner) and bracket in the control compartment per the instructions in **Figure 1**. Do not remove the On/Off switch or Piezo from the bracket.
- Step 6.** Remove Gas Line to allow for easier access to blower mounting location. **See Figure 3**

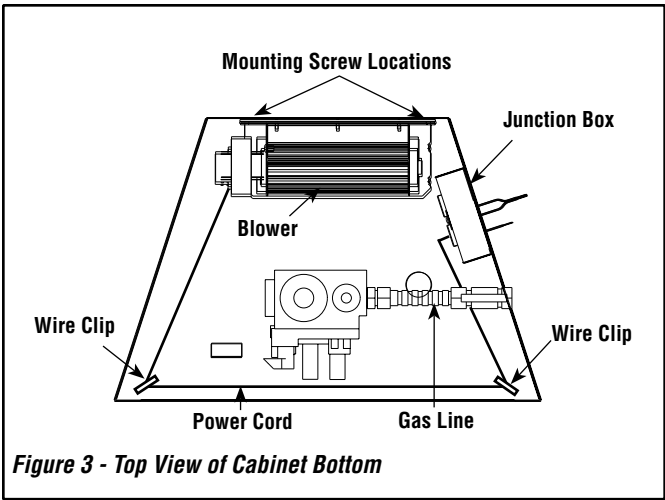
#### IMPORTANT

- All electrical wiring must be performed by licensed Electricians. Electrical wiring must comply with the National Electrical Code ANSI/ NFPA 70 - latest edition, in Canada, the current CSA C22-1 Canadian Electrical Code.
- Main power must be off when connecting to main electrical power supply or performing service .
- The Ground Lead must be connected to the green screw (located on the junction box). Failure to do this could result in an electrical short or shock injury.
- The appliance must be electrically grounded in accordance with local codes or, in the absence of local codes, the national electrical code, ANSI/ NFPA 70-(latest edition), in Canada, the current CSA C22-1 Canadian Electrical Code.
- Leather gloves should be worn during installation to prevent injury or cuts to the hands!

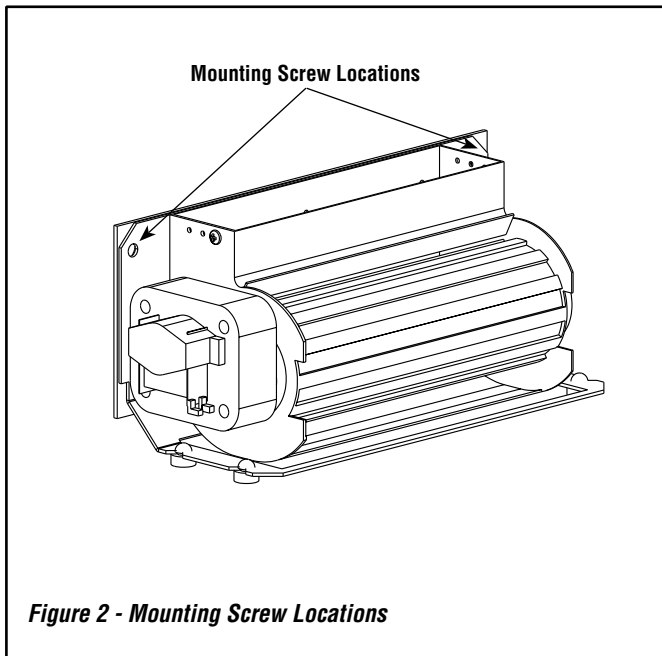


**Figure 1 - Remove Switch and Piezo Bracket as shown by pulling the assembly toward you (no tools required)**

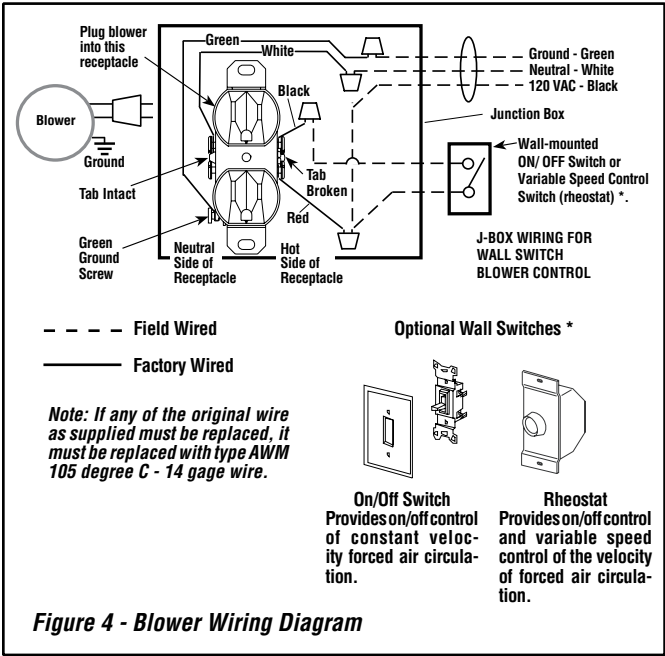
- Step 7.** Slide the blower assembly in through the left side of the control compartment, see **Figure 3**. The blower power cord should be routed to the J-Box/Receptacle and plugged in. Route power cord and fasten Wire Clips as shown on **Figure 3**.
- Step 8.** Using the 1/4" hex screws provided, mount the blower using the two screw holes. **See Figure 2 and 3**
- Step 9.** Reinstall Piezo Bracket that was removed in Step 5.
- Step 10.** Reinstall gas line that was removed in Step 6.
- Step 11.** Restore the electrical power to the appliance. Turn on blower with the optional wall-mounted switch to test for proper operation. see **Figure 4**.
- Step 12.** Turn on gas supply to fireplace.



**Figure 3 - Top View of Cabinet Bottom**



**Figure 2 - Mounting Screw Locations**



**Figure 4 - Blower Wiring Diagram**

NOTE: DIAGRAMS & ILLUSTRATIONS ARE NOT TO SCALE.



**HEARTH PRODUCTS**

1110 West Taft Avenue • Orange, CA 92865