

INSTALLATION INSTRUCTIONS FOR INSTALLING DOOR TRIM KITS FOR USE WITH EPIC DIRECT-VENT GAS STOVES

ELITE™ SERIES

KIT CONTENTS

Please ensure that all these parts are included

- 2 ea. Trim Pieces
- 6 ea. Nuts
- 6 ea. #6 Washers
- 1 ea. Instruction Sheet

TOOLS NEEDED:

5/16" nut driver or socket wrench

Cat. No.	Model	Description
75348	EPIC-TRIM-B	Black Trim Kit
75349	EPIC-TRIM-G	Gold Trim Kit
75350	EPIC-TRIM-BN	Brushed Nickel Trim Kit
75351	EPIC-TRIM-BKN	Black Nickel Trim Kit

GENERAL INFORMATION

If you encounter any problems, need clarification of these instructions or are not qualified to properly install this kit, contact your local distributor or dealer.

Read this instruction sheet in its entirety before beginning the installation.

All of these parts may scratch and bend, great care should be used in handling them.

ALL WARNINGS AND PRECAUTIONS IN THE INSTALLATION AND OPERATION MANUAL PROVIDED WITH THE APPLIANCE APPLY TO THESE INSTRUCTIONS.

TURN OFF THE STOVE AND ALLOW IT TO COMPLETELY COOL BEFORE PROCEEDING.

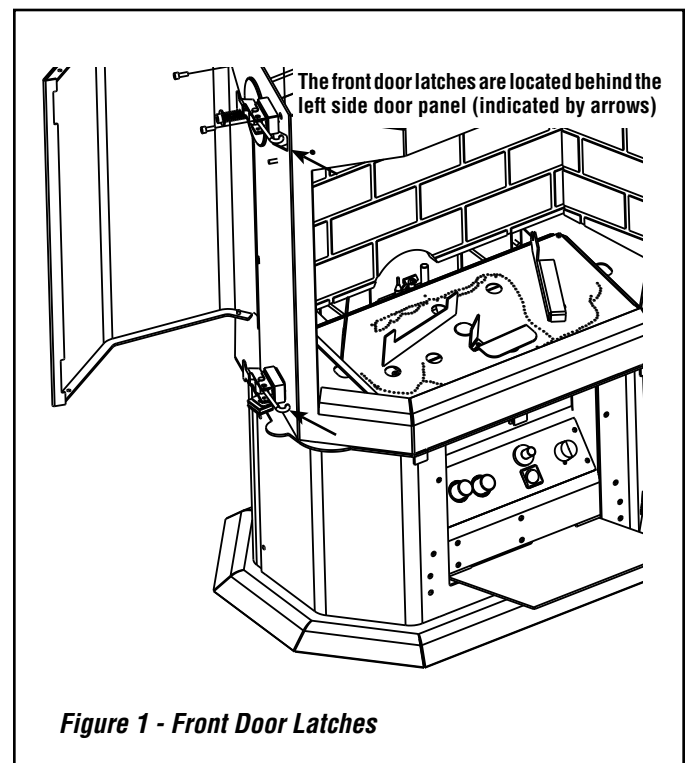
CAUTION: Always ensure that plated surfaces are clean and free of fingerprints before lighting stove. Fingerprints will leave permanent blemishes if left on plated surface when lit. When installation is complete, the trim should be gently cleaned with a soft cloth and either alcohol or a household glass cleaner. Do not overtighten nuts, overtightening can create visible dimples on the plated surface.

INSTALLATION INSTRUCTIONS

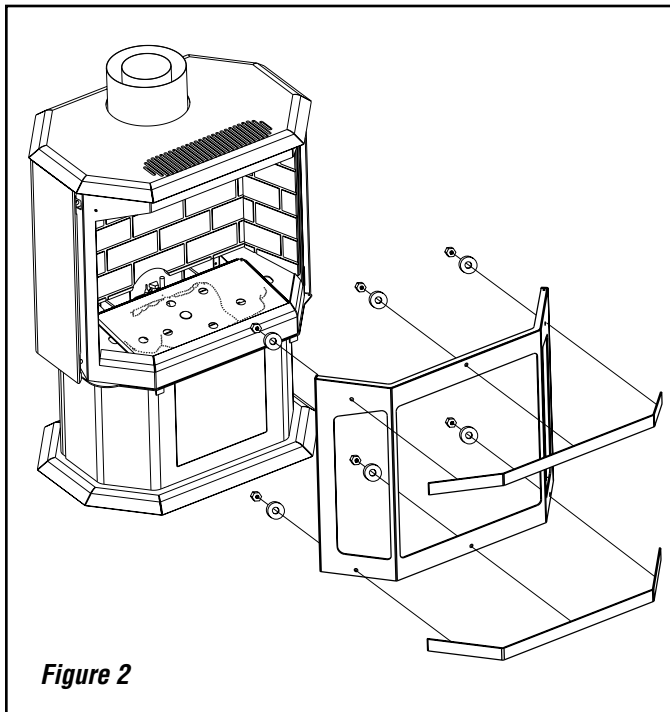
Step 1. Remove the trim pieces and hardware from its packaging and ensure that all pieces are present before beginning installation. Take care not to scratch finished surfaces.

Step 2. Facing the stove pull open the left side door.

Step 3. Unlatch the front door and swing it open (See *Figure 1*).



- Step 4.** Put trim in place by inserting trim studs into the corresponding holes in the door (see **Figure 2**). The top piece of trim will only fit in one direction, but the bottom piece can be installed incorrectly. When placing the bottom piece of trim make sure there is a small gap between the bottom of the trim piece and the bottom of the door, if the trim extends below the bottom of the door the trim is on upside down.
- Step 5.** Place one washer on each stud (see **Figure 2**). Using a 5/16" nut driver, snug up the nuts on each piece of trim. Do not finish tightening nuts.
- Step 6.** There should be approximately a 1/8" gap between the edge of the trim and the top and bottom of edges of the door. Visually inspect the alignment of the trim and adjust if necessary.
- Step 7.** Finish tightening nuts. **CAUTION - DO NOT OVERTIGHTEN NUTS.**



- Step 8.** Close the front door and secure latches (see **Figure 1**). Close left side panel door. Use a household glass cleaner or alcohol and a soft cloth to remove any fingerprints from all plated surfaces **prior** to firing the stove. **Read Caution on Page 1.**



NOTE: DIAGRAMS AND ILLUSTRATIONS ARE NOT TO SCALE.

Lennox Hearth Products reserves the right to make changes at any time, without notice, in design, materials, specifications, prices and also to discontinue colors, styles and products. Consult your local distributor for fireplace code information.

LENNOXTM
HEARTH PRODUCTS