



HEARTH PRODUCTS

HEARTH PRODUCTS
KITS AND ACCESSORIES

750,147M
REV. C 09/2008

FINISH TRIM KITS

INSTALLATION INSTRUCTIONS FOR FINISH TRIM KITS

GENERAL INFORMATION

This kit contains trim pieces used to finish the gaps between the wall board and the fireplace, providing the appliance a perimeter highlight. This kit contains the trim pieces and these instructions.

INSTALLATION INSTRUCTIONS

Step 1. Ensure fireplace is cool to touch before starting installation of the brass trim kit.

Step 2. Snap the two rectangular side trim pieces over the vertical border of the fireplace. These two side pieces are identical. For 3-piece trim kits, ensure that the two side trim pieces are flush with the bottom of the fireplace (see *Figure 1*). For 4-piece trim kits, center the two side trim pieces between the top and the bottom border of the fireplace (see *Figure 2*). If necessary, slightly squeeze the bracket flange inward to improve tightness. Peel off protective layers on both side trim pieces.

Step 3. Peel off the backing of the double-sided tapes on the back side of the trapezoidal top center trim piece (see *Figure 3*). Avoid touching sticky surface of the tape.

Step 4. Snap the top center trim piece on the fireplace top border. Ensure that the top center trim piece align with the two side trim pieces at both corners.

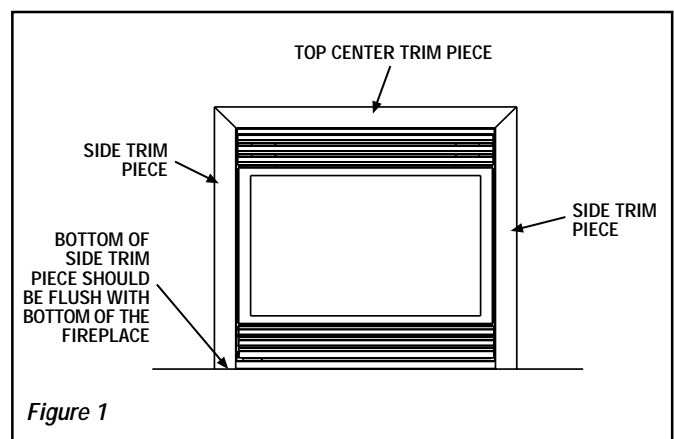
Step 5. Press both ends of the top center trim pieces onto the side trim pieces to stick all trim pieces together.

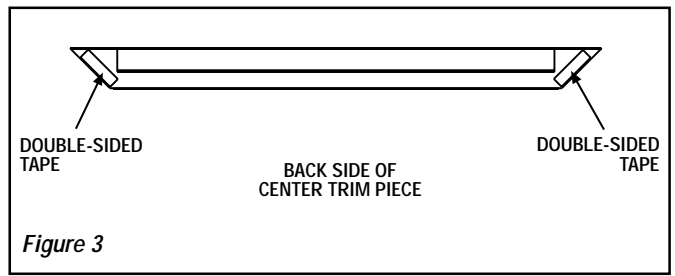
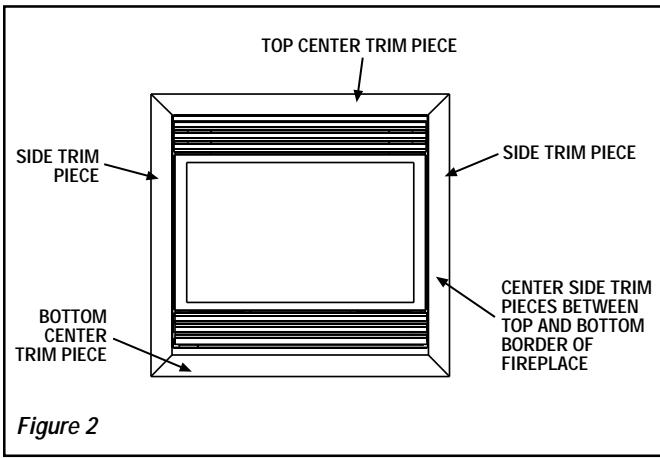
Step 6. Peel off protective layer of the top center trim piece.

Step 7. (This step is applicable to the 4-piece trim kit only): The bottom center trim piece and the top center trim piece are identical. Repeat Steps 3 to 6 to install the bottom trim piece.

CATALOG AND MODEL NUMBERS

Catalog #	Model #
H1813	TK33BS3
H0453	TK33PB3
H4820	TK33C3
H0454	TK35EPB3
H1814	TK35EBS
96K21	TK35PB3
H1815	TK35BS3
96K17	TK35PB4
H4821	TK35C3
H4822	TK35EC3
96K22	TK40PB3
96K18	TK40PB4
H1816	TK40BS3
H4823	TK40C3
96K23	TK45PB3
H1817	TK45BS3
96K19	TK45PB4
H1817	TK45BS3
H4824	TK45C3
H7255	TK35B4
H7256	TK40B4





NOTE: DIAGRAMS & ILLUSTRATIONS NOT TO SCALE.

Lennox Hearth Products reserves the right to make changes at any time, without notice, in design, materials, specifications, prices and also to discontinue colors, styles and products. Consult your local distributor for fireplace code information.



HEARTH PRODUCTS

1110 West Taft Avenue
 Orange, CA 92865