

INSTALLATION INSTRUCTIONS FOR INSTALLING A PEDESTAL ASH DRAWER KIT ON A GRANDVIEW™ WOODSTOVE



KIT CONTENTS

Please ensure that all these parts are included

- 1 ea. Pedestal Ash Drawer Assembly
- 1 ea. Ash Plug Removal Tool
- 1 ea. Instruction Sheet

Grandview™ Pedestal Kit		
Cat. No.	Model	Description
H8344	ASHDR-KIT-PED-GV	Pedestal, Ash Drawer Kit

TOOLS NEEDED

- 5/32" Allen Wrench

GENERAL INFORMATION

If you encounter any problems, need clarification of these instructions or are not qualified to properly install this kit, contact your local distributor or dealer.

Read this instruction sheet in its entirety before beginning the installation.

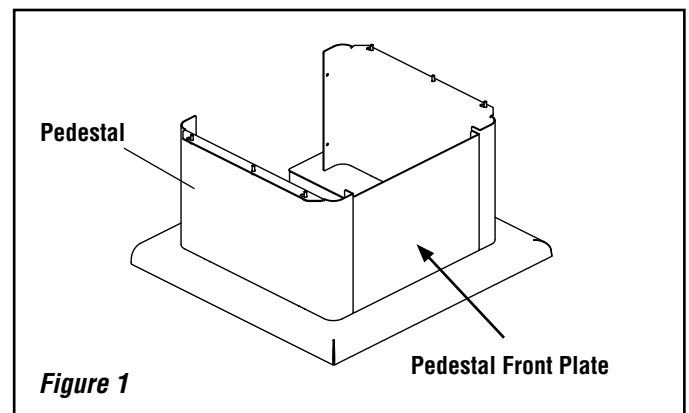
ALL WARNINGS, PRECAUTIONS AND INSTRUCTIONS IN THE INSTALLATION AND OPERATION MANUAL PROVIDED WITH THE APPLIANCE APPLY TO THESE INSTRUCTIONS.

Check the contents of the kits upon receipt and check for any damaged or missing parts. If there is hidden damage, notify your freight company or Lennox Hearth Products dealer immediately.

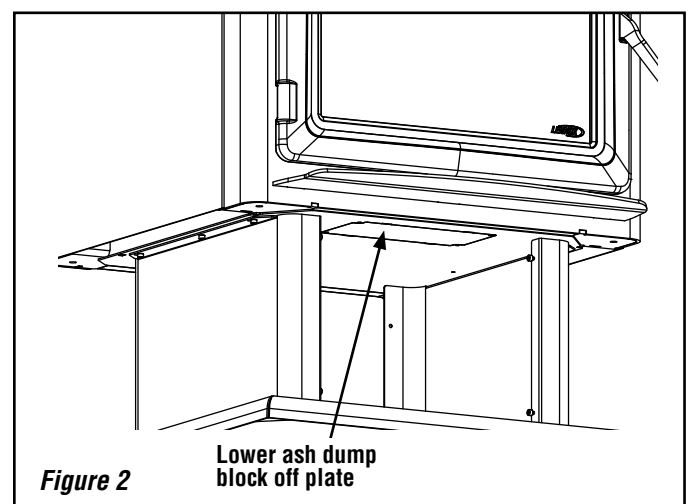
CAUTION: Wear gloves during installation in case of sharp edges on the stove.

INSTALLATION INSTRUCTIONS

Step 1. Using a 5/32" allen wrench, remove the four allen head screws fastening the Pedestal Front Plate to the Pedestal. Save these four screws for installation of pedestal back cover plate (step 9). See *Figure 1*.



Step 2. Using a 5/32" allen wrench, remove the two allen head screws fastening temporary lower ash dump block off plate to bottom of stove. **Save these two screws.** See *Figure 2*.



Step 3. Remove the firebrick in the firebox located over the ash dump. Remove upper plate by placing a flat head screwdriver in the center slot. Use the screwdriver as a lever to work the plate side to side until the plate breaks free. See **Figure 3**.

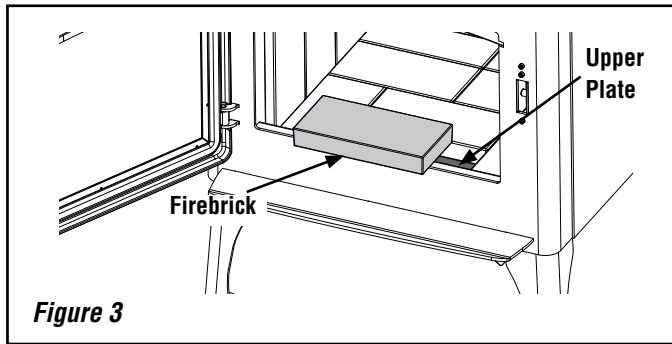


Figure 3

Step 4. Fasten the upper plate (removed in Step 3) to the bottom of cast iron ash plug with the two screws saved from removing lower plate (removed in Step 1). See **Figure 4**.

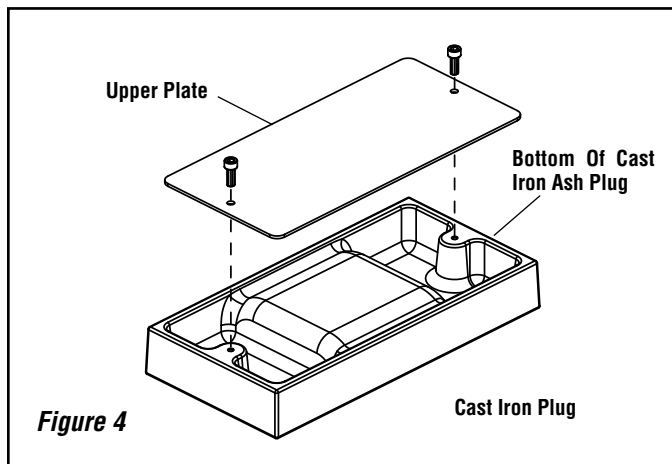


Figure 4

Step 5. Place Ash Plug over the Ash Dump where the firebrick was removed from in Step 3. See **Figure 5**.

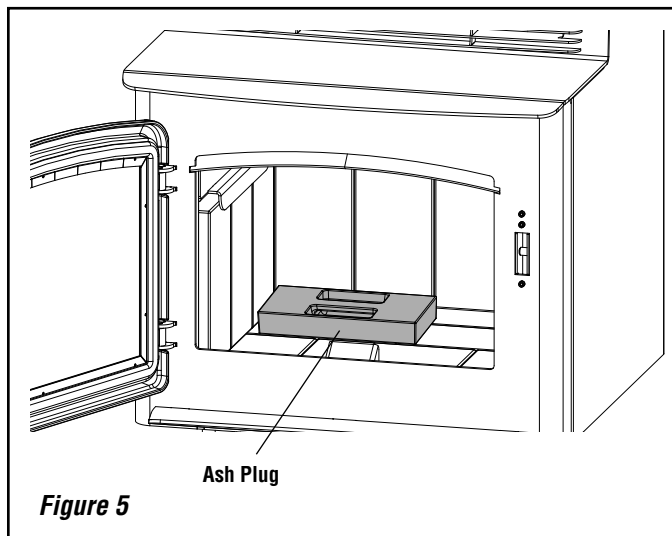


Figure 5

Step 6. Using the eight 5/32" allen head screws supplied, install the left and right side Ash Drawer Guides. The brackets will hook on the back side and screw down thru the Pedestal in the holes that can be seen in the brackets. See **Figure 6**.

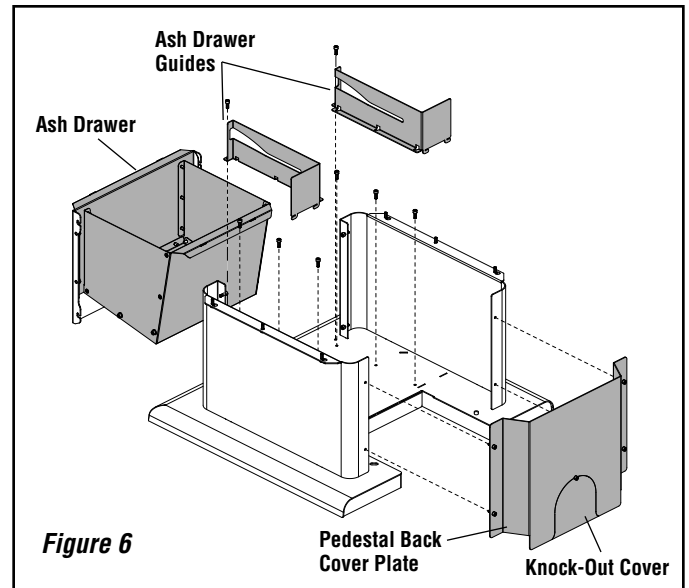


Figure 6

Step 7. Fasten the Pedestal Front Plate to the Ash Drawer using the four supplied 10-24 nuts and the two Ash Drawer Fastening Brackets. One bracket and two screws go on each side of the Ash Drawer. See **Figure 7**.

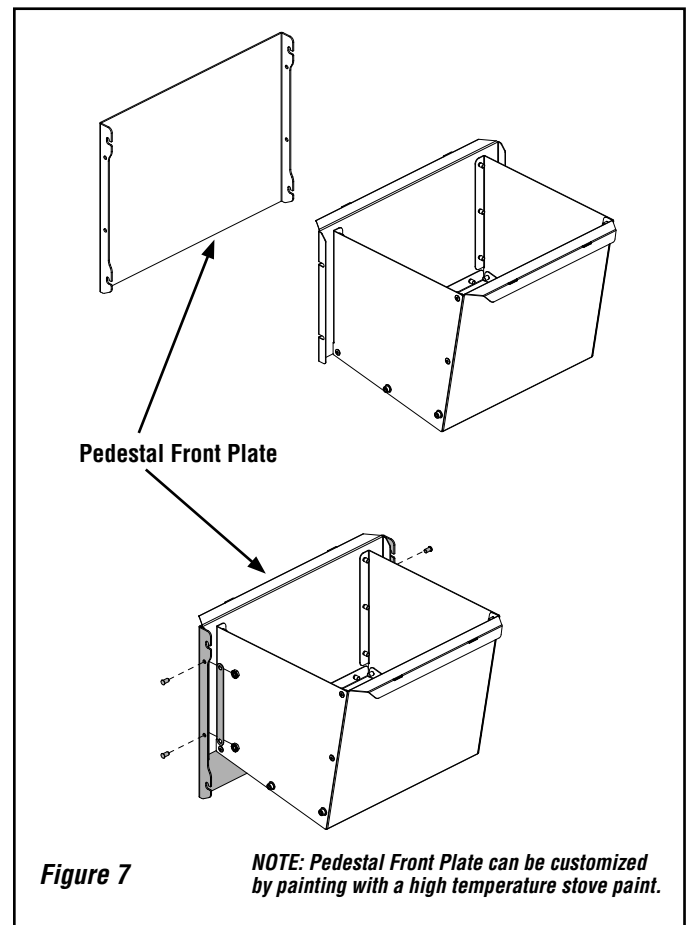
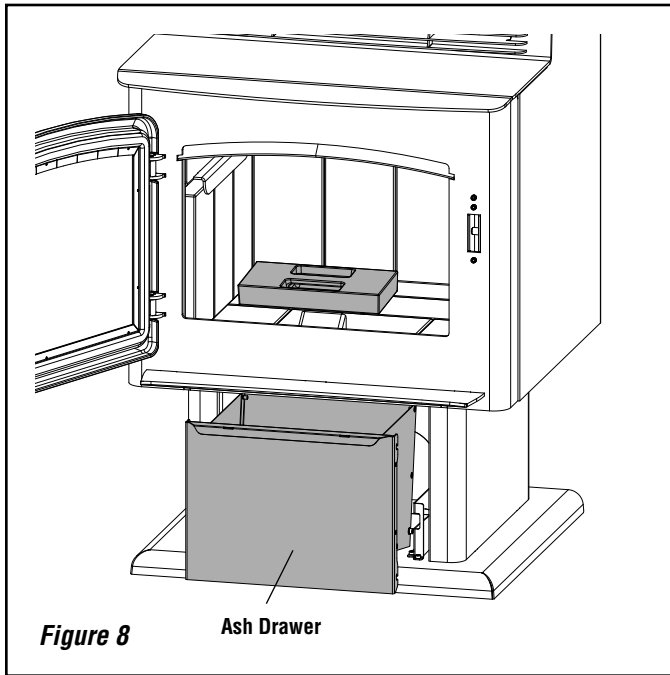


Figure 7

NOTE: Pedestal Front Plate can be customized by painting with a high temperature stove paint.

Step 8. Once this is all completed the Ash Drawer can be slid into the front of the Pedestal. See **Figure 8**.



Step 9. Using the four 5/32" allen screws (that were removed from front cover - step 1) install the Pedestal Back Cover Plate with the knockout for Outside Air installation facing towards the bottom of the pedestal. See **Figure 6**.

ASH DRAWER USE

Use the ash rake (sold separately - order P/N H5564) to remove the cast iron plug when ashes need to be removed from the firebox. The rake should also be used to rake ashes into the ash drawer and to clean out around the plug hole before reinstalling the cast iron plug.

WARNINGS

READ AND FOLLOW ALL INSTRUCTIONS REGARDING THE HANDLING AND DISPOSAL OF ASHES AS HOT COALS MAY REMAIN HOT ENOUGH TO CAUSE A FIRE FOR UP TO 3 DAYS! DO NOT ATTEMPT TO EMPTY ASHES WHILE THE STOVE IS HOT. USE GLOVES WHILE EMPTYING ASHES FOR YOUR OWN PROTECTION.

Lennox Hearth Products reserves the right to make changes at any time, without notice, in design, materials, specifications, prices and also to discontinue colors, styles and products. Consult your local distributor for fireplace code information.

