



HEARTH PRODUCTS

HEARTH PRODUCTS  
KITS AND ACCESSORIES

P/N 506033-53  
Rev. NC, 08/2011

GRANDVIEW™ PEDESTAL KIT

## INSTALLATION INSTRUCTIONS FOR INSTALLING A PEDESTAL ON A GRANDVIEW™ 230 WOODSTOVE



### KIT CONTENTS

Please ensure that all these parts are included

- 1 ea. Pedestal Assembly
- 6 ea. 10-24 Screws

Grandview™ Pedestal Kit		
Cat. No.	Model	Description
H8343	PED-GV	Pedestal, Black

### TOOLS NEEDED

- 5/32" Allen Wrench

### GENERAL INFORMATION

If you encounter any problems, need clarification of these instructions or are not qualified to properly install this kit, contact you local distributor or dealer.

Read this instruction sheet in its entirety before beginning the installation.

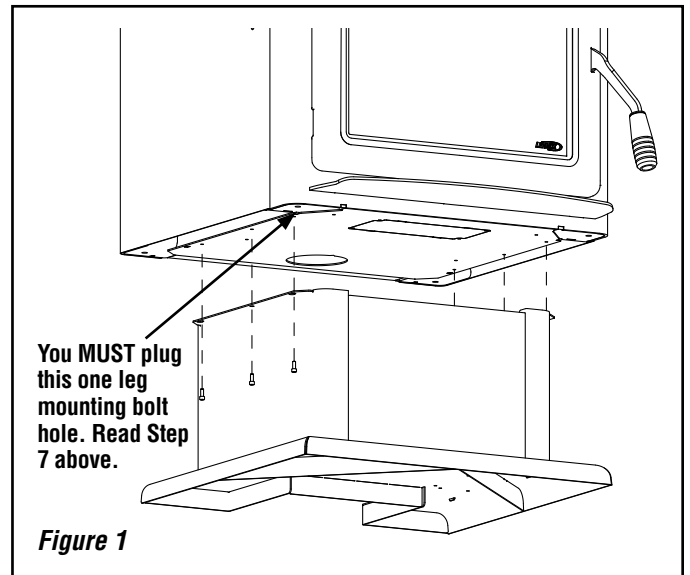
**ALL WARNINGS, PRECAUTIONS AND INSTRUCTIONS IN THE INSTALLATION AND OPERATION MANUAL PROVIDED WITH THE APPLIANCE APPLY TO THESE INSTRUCTIONS.**

Check the contents of the kits upon receipt and check for any damaged or missing parts. If there is hidden damage, notify your freight company or Lennox Hearth Products dealer immediately.

**CAUTION: Wear gloves during installation in case of sharp edges on the stove.**

### INSTALLATION INSTRUCTIONS

- Step 1.** Remove the heater from the carton, if packaged, upon receipt and check for any damaged or missing parts.
- Step 2.** Install the 10-24" screws included with the pedestal kit to the bottom of the stove as seen in **Figure 1**. You will need a 5/32" allen wrench to complete this.
- Step 3.** Carefully place stove on it's back. Be careful not to scratch the stove, use a piece of cardboard or carpet to protect the back of the stove.
- Step 4.** The pedestal will have key hole slots that line up with the screws that were placed in the bottom of the stove. Carefully install pedestal on the installed screws with the open end of the pedestal towards the rear of the stove.
- Step 5.** Assuring that the pedestal is placed correctly in slots then tighten all six screws.
- Step 6.** The stove can now be set up on the pedestal making sure that all baffle boards and bricks are set back in place. These items may have shifted when the stove was placed on it's back.
- Step 7.** When installing a pedestal on this stove you **MUST** plug the one leg mounting bolt hole, located on the bottom of the stove in the front left corner, with the bolt that was used to mount the shipping legs. **FAILURE TO INSTALL THIS BOLT PROPERLY WILL RESULT IN REDUCED CONTROL OF THE STOVE'S COMBUSTION SYSTEM!**



NOTE: DIAGRAMS AND ILLUSTRATIONS ARE NOT TO SCALE.

Lennox Hearth Products reserves the right to make changes at any time, without notice, in design, materials, specifications, prices and also to discontinue colors, styles and products. Consult your local distributor for fireplace code information.

Printed in U.S.A. © 2011 Lennox Hearth Products

P/N 506033-53 Rev. NC 08/2011

Lennox Hearth Products  
1508 Elm Hill Pike, Suite 108 • Nashville, TN 37210