

## INSTALLATION INSTRUCTIONS FOR INSTALLING SURROUND KITS FOR USE WITH THE RAVENNA AND DESIGNER GAS FIREPLACE INSERTS

## ELITE™ SERIES

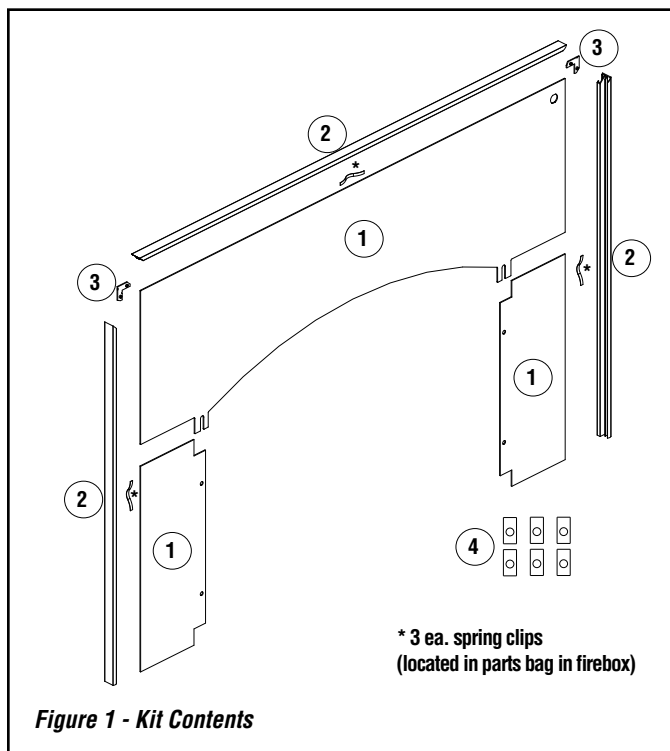
### KIT CONTENTS (See Figure 1)

- 1 ea. Surround Panel Set (Item #1)
- 1 ea. Surround Trim Set (Item #2)
- 2 ea. Elbowed Retainers (Item #3)
- 6 ea. Speed Nuts (Item #4)
- 1 ea. Instruction Sheet

### TOOLS NEEDED

Flat Bladed Screwdriver

Surround Panel Kits	
Cat. No.	Description
75362	Surround Kit, 29" H x 41" W, Includes Black Trim (One-piece)
75068	Surround Kit, 29" H x 41" W, Includes Black Trim
75069	Surround Kit, 29" H x 48" W, Includes Black Trim
75070	Surround Kit, 33" H x 41" W, Includes Black Trim
75071	Surround Kit, 33" H x 48" W, Includes Black Trim



### GENERAL INFORMATION

If you encounter any problems, need clarification of these instructions or are not qualified to properly install this kit, contact your local distributor or dealer.

Read this instruction sheet in its entirety before beginning the installation.

**All of these parts may scratch and bend, great care should be used in handling them.**

**ALL WARNINGS AND PRECAUTIONS IN THE INSTALLATION AND OPERATION MANUAL PROVIDED WITH THE APPLIANCE APPLY TO THESE INSTRUCTIONS.**

**TURN OFF THE APPLIANCE AND ALLOW IT TO COMPLETELY COOL BEFORE PROCEEDING.**

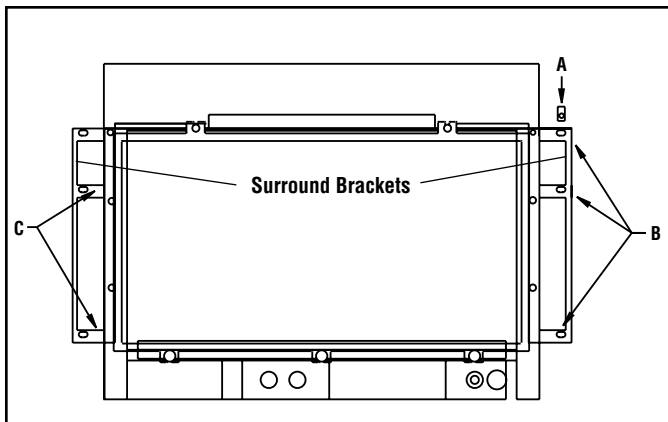
### INSTALLATION INSTRUCTIONS

Installation of the surround assembly is required prior to installing the face kit (sold separately).

**Step 1.** Remove the speed nuts from the parts bag and install (with the flat surface forward) on the six holes in the surround brackets, three on each side of the insert (See A in **Figure 2**). A flat bladed screwdriver may help in installing the nuts.

**Step 2.** Install all surround panels and trim with the insert positioned in the fireplace but a few inches in front of its final location.

**Step 3.** If the insert face is to be installed on the insert, the sight obstructor that comes with the face must be installed prior to installing the surround panels. With the curved edge down and the bent top edge positioned toward the insert, slide the tabs at the ends of the obstructor in the slots on the surround brackets (see C in **Figure 2**).



The face (kit sold separately) has two hooks on each side that slide over and hang on the surround brackets at (C). The face can slide slightly from side to side to center the face on the glass.

**Figure 2**

**Step 4.** Install the side surround panels by lining up the holes in the tabs on the side surround panels in front of the holes on the surround brackets. Next insert two slotted 1/4" truss screws for each side surround panel and secure loosely.

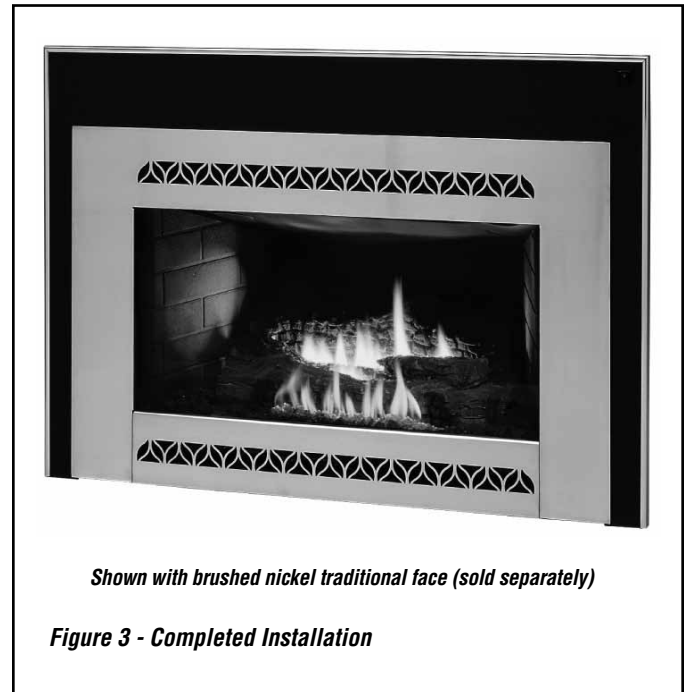
**Step 5.** Fasten top surround panel with the remaining two truss screws. Tighten all six truss screws after adjusting the surround panels to eliminate space between side and top surround panels.

**Step 6.** Assemble the surround trim by inserting the elbowed retainer in the rectangular slot in the ends of the longest piece of trim and secure by tightening the screw in the retainer. Slide the mitred ends of the two side trim pieces onto the elbowed retainer and secure by tightening the retainer screw.

**Step 7.** The fastened trim pieces should now be horseshoe shaped. Slide the trim down over the surround panels so the edge of the surround panel fits just behind the rounded edge of the trim.

**Step 8.** Install three spring clips (found in parts bag in firebox) in each piece of trim by inserting them between the rear of the surround and the channel of the trim. The spring clips will push the trim tight to the surround.

**If you have a gold or nickel face, be sure to clean the face with a soft cloth and household glass cleaner prior to burning the insert. Fingerprints left on the face while burning will usually remain on the face permanently.**



**Figure 3 - Completed Installation**

NOTE: DIAGRAMS AND ILLUSTRATIONS ARE NOT TO SCALE.

Lennox Hearth Products reserves the right to make changes at any time, without notice, in design, materials, specifications, prices and also to discontinue colors, styles and products. Consult your local distributor for fireplace code information.

