



HEARTH PRODUCTS

HEARTH PRODUCTS
KITS AND ACCESSORIES

750,126M
REV. B 01/2007

**GLASS ENCLOSURE
PANELS**

**INSTALLATION INSTRUCTIONS FOR GEP SERIES GLASS ENCLOSURE PANELS:
36GEP, 36GEP-BB; 42GEP, 42GEP-BB**

GENERAL INFORMATION

These Lennox GEP Series glass enclosure panels have been designed for use with Lennox's B-40, BBV-36 and BBV-42 B-vented gas fireplaces. These enclosure panels will meet the condition, established by some building departments, that access to the appliance combustion chamber be restricted.

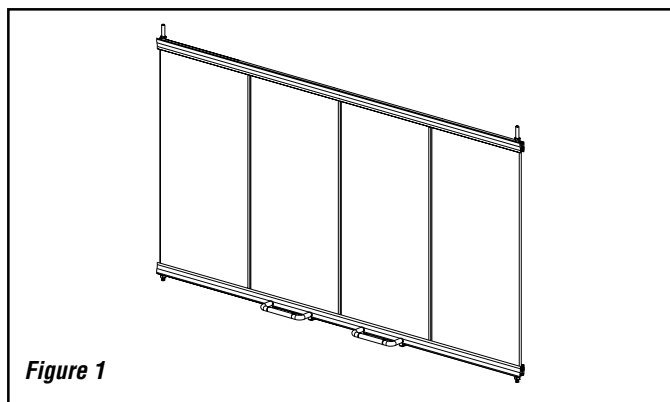


Figure 1

These glass enclosure panels are a one-piece panel, which have a bi-fold "look" as shown in **Figure 1**. A fireplace application table follows:

Glass Enclosure Panel Application			
Kit Model Number	Kit Catalog Number	Description of Glass Enclosure Panel	Fireplace Model
36GEP	27M30	36 inch - Black Trim	B-40, BBV-36
36GEP-BB	27M31	36 inch - Polished Brass Trim	B-40, BBV-36
42GEP	27M32	42 inch - Black Trim	BBV-42
42GEP-BB	27M33	42 inch - Polished Brass Trim	BBV-42

These enclosure panels have been tested and listed by Warnock Hersey.

**PLEASE RETAIN THIS MANUAL
FOR FUTURE REFERENCE**

IMPORTANT: DO NOT ALTER OR MODIFY THESE DOOR ASSEMBLIES OR A FIREPLACE MALFUNCTION OR A FIRE HAZARD MAY RESULT.

Shipping and Packing List

Before beginning the installation of these enclosure panels, check to assure that the enclosure panel kit is complete and undamaged. Refer to **Figures 1 and 2** along with the inventory list to identify all the necessary parts.

Inventory List:

- A. Glass Enclosure Panel
- B. Hardware Kit (consisting of)
 - Handle Assemblies (2)
 - #8-32 x 1/4" Pan Head Screws (2)
 - #6-32 x 1/4" Pan Head Screws (1)

Tools Required:

Phillips Screwdriver (small or medium)

INSTALLATION INSTRUCTIONS

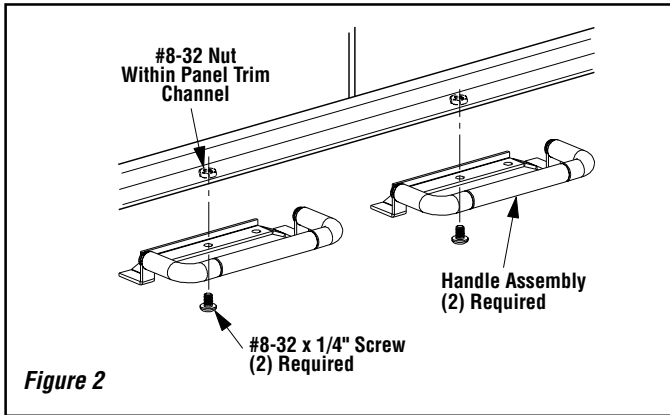
CAUTION: REMOVE THE PLASTIC PROTECTIVE COATING FROM ALL BRASS PIECES BEFORE INSTALLING THE GLASS ENCLOSURE PANEL.

Step 1.

Attach the polished metal and wooden handle assemblies to the lower enclosure panel frame (**Figure 2**). Use the No. 8-32 x 1/4 Phillips pan head screws (provided in the hardware kit) and associated nuts (which have been factory installed in the lower panel trim channel). There is a single screw and nut for use with each handle assembly. Position the handle assemblies approximately as shown in **Figure 1** (one on each side of the middle), insert the screws through the handle brackets and into the nuts and then tighten the screws to secure the handles in place.

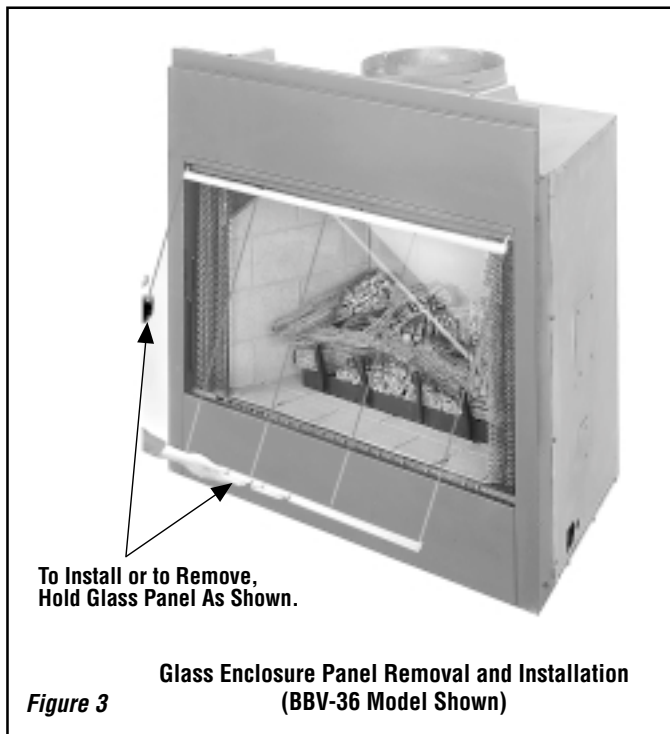


NOTE: DIAGRAMS & ILLUSTRATIONS NOT TO SCALE.



Step 2.

Grasp the enclosure panel by a handle and the left side (*see Figure 3*) and insert the two upper pins into the holes located in the fireplace upper frame or trim bar. Once the upper pins have been fully inserted, swing the lower portion of the enclosure panel, using the handles, into position and allow the lower pins to engage the holes in the lower frame or trim bar.



CAUTION: GLASS AND METAL FRAMES GET HOT — LET GLASS ENCLOSURE PANELS COOL BEFORE REMOVING.

General Operating Precautions and Instructions

- Use fireplace tools carefully to avoid striking the glass.
- Assure that the logs and embers are positioned as detailed in the Homeowner's Care and Operation Instructions. This will keep them well away from the glass door.

CAUTION: THESE GLASS DOORS ARE LISTED ONLY FOR USE WITH THE LENNOX FIREPLACE MODELS SHOWN ON PAGE 1. USE ON ANY OTHER FIREPLACE OR APPLIANCE MAY CONSTITUTE A POTENTIAL FIRE HAZARD.

Cleaning

NEVER CLEAN THE GLASS WHEN THE GLASS PANEL IS HOT. DO NOT USE AMMONIA OR ANY AMMONIA BASED GLASS OR HOUSEHOLD CLEANER TO CLEAN THE GLASS OR THE ENCLOSURE PANEL FRAME. AN AMMONIA BASED CLEANER WILL DAMAGE THE FINISH.

Remove dirt and grime from the panel using a clean dampened towel followed by wiping with a dry towel. To remove stubborn stains from the panel, use a mild soap solution and towel to gently scrub away stain. Take care not to scratch the glass surface. Do not use abrasive cleaners.

IMPORTANT: THESE GLASS ENCLOSURE PANELS UTILIZE TEMPERED GLASS WHICH IS DESIGNED FOR USE WITH HIGH TEMPERATURES BUT CAN UNEXPECTEDLY SHATTER. DO NOT SIT CLOSE TO THE GLASS.

Tempered glass will break into small particles if it should shatter unexpectedly. If the glass breaks, particles of extremely hot glass could be discharged into the surrounding environment, thereby creating a risk of personal injury or fire. Observation of the above operating precautions and instructions will reduce the risk of personal injury or fire.

Extreme temperature changes can cause glass breakage— do not start the fireplace and then install the glass enclosure panel; install the panel before starting the fireplace.

If the tempered glass pane becomes scratched or chipped, it creates a weakness in the glass which can cause the glass to break when heated. Replace the pane of glass by contacting your nearest Lennox Distributor.

WARNING: DO NOT BURN TRASH, CONSTRUCTION SCRAPS, RAILROAD TIES, OR OTHER HIGHLY-FLAMMABLE MATERIAL IN THE FIREPLACE. INTENSE HEAT CAN CAUSE THE GLASS TO LOSE STRENGTH AND RESILIENCE WHICH WILL RESULT IN GLASS BREAKAGE.

NOTE: DIAGRAMS & ILLUSTRATIONS NOT TO SCALE.

The manufacturer reserves the right to make changes at any time, without notice, in design, materials, specifications, prices and also to discontinue colors, styles and products. Consult your local distributor for fireplace code information.