

POLISHED BRASS OR BRUSHED STAINLESS DOOR TRIM KITS

INSTALLATION INSTRUCTIONS FOR POLISHED BRASS OR BRUSHED STAINLESS DOOR TRIM KITS FOR USE WITH MERIT™ OR ELITE®-2 SERIES GAS FIREPLACES

GENERAL INFORMATION

The polished brass or brushed stainless door trim kits may be used with Merit™ or Elite®-2 series gas fireplaces to enhance the appearance of the fireplace. The kits contain two door side strips and one top bustle and one bottom bustle and these instructions. See **Table 1** for trim kit applications.

INSTALLATION INSTRUCTIONS

Step 1. Turn off the fireplace and allow it to cool before performing the assembly tasks detailed here.

Step 2. Slightly lift and pull the existing top radiant panel/hood assembly away from the fireplace, or pull hood and slightly lift and pull the existing louver assembly away from the fireplace.

Step 3. Elite-2 Series Fireplaces - Slightly lift and pull the existing top and bottom bustle away from the fireplace.

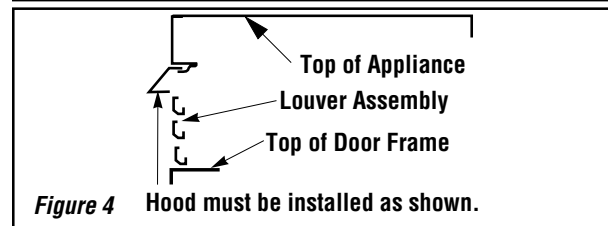
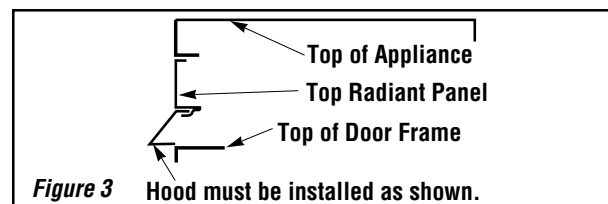
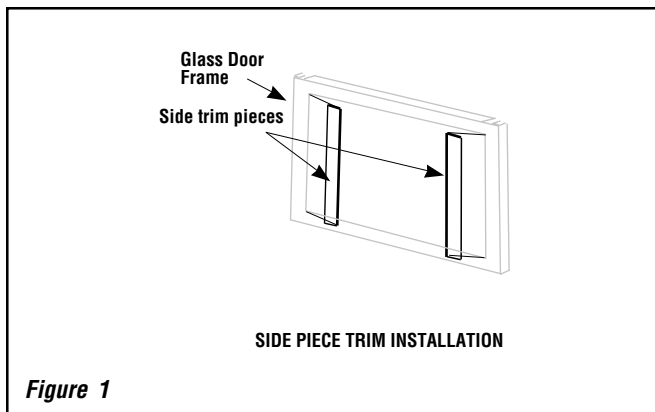
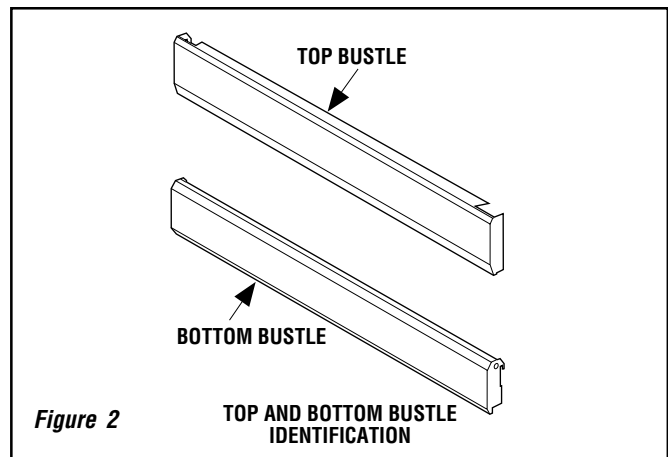
Step 4. Remove the protective coating from the polished brass or brushed stainless trim components ensuring they are handled carefully so as to prevent them from being damaged.

Step 5. On each side of the door, between the frame and the glass, slide one of the polished brass or brushed stainless side strips. See **Figure 1**. A friction fit to the door keeps them in place.

Step 6. Install the kit-provided bustles (the bustles are identified in **Figure 2**): Hook the top bustle over the top flange of the glass door frame. Hook the bottom bustle in the left and right corner post slots. (The slots are located just above the bottom of the glass door frame in each corner post.)

Step 7. Reinstall the top radiant panel/hood assembly, or hood and louver assembly. Make certain that the hood is installed as shown in **Figure 3** (clean face models) or **Figure 4** (louvered models). **The fireplace must not be operated without the hood installed as shown in these figures.**

TRIM KITS - TABLE 1				
POLISHED BRASS		BRUSHED STAINLESS		MODEL SERIES
CATALOG NO.	MODEL NO.	CATALOG NO.	MODEL NO.	
88L43	DTK24PB-2	90L69	DTK24BS	EDPF-2, EDCR-2, EDCL-2 multi-open (short panel)
88L44	DTKE35PB	90L70	DTKE35BS	ED3530 front-open
88L45	DTK40PB-2	90L71	DTK40BS	ED4035-2 front-open; EDST-2, EDPF-2, EDCR-2, EDCL-2 multi-open (long panel)
88L46	DTK45PB-2	90L72	DTK45BS	ED4540-2 front-open
98L14	DTK33PB	98L15	DTK33BS	MDT3328/MDR3328



NOTE: DIAGRAMS & ILLUSTRATIONS NOT TO SCALE.