



HEARTH PRODUCTS

HEARTH PRODUCTS
KITS AND ACCESSORIES

775233M
REV. A 09/2010

Cat. No.
71163

Description
8" to 6" Positive Flue Connector Kit

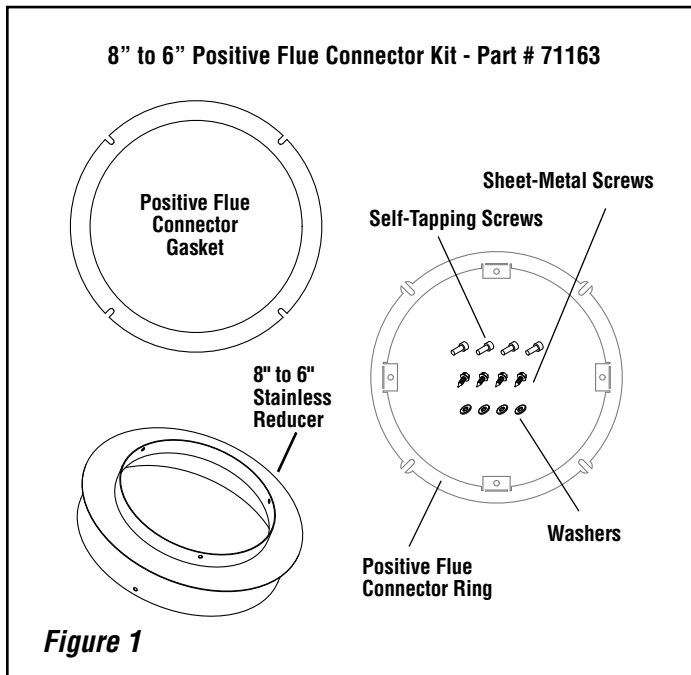
**INSTALLATION INSTRUCTIONS FOR 8" TO 6" POSITIVE FLUE
CONNECTOR KITS FOR USE WITH MODELS C260, E260, C310 WOOD
FIREPLACE INSERTS**



KIT CONTENTS:

(See *Figure 1*)

- 1 ea. Positive Flue Connector Ring 8"
- 1 ea. Positive Flue Connector Ring 8" Gasket
- 1 ea. 8" to 6" Stainless Reducer
- 4 ea. 10-24 x 1/2" Self-Tapping Allen Head Screws
- 4 ea. Sheet-Metal Screws
- 4 ea. Washers
- 1 ea. Instruction Sheet



TOOLS / SUPPLIES NEEDED:

(See *Figure 2*)

- 1/4" Socket and Ratchet or Nut Driver
- 5/32" T-Handle or Allen Wrench

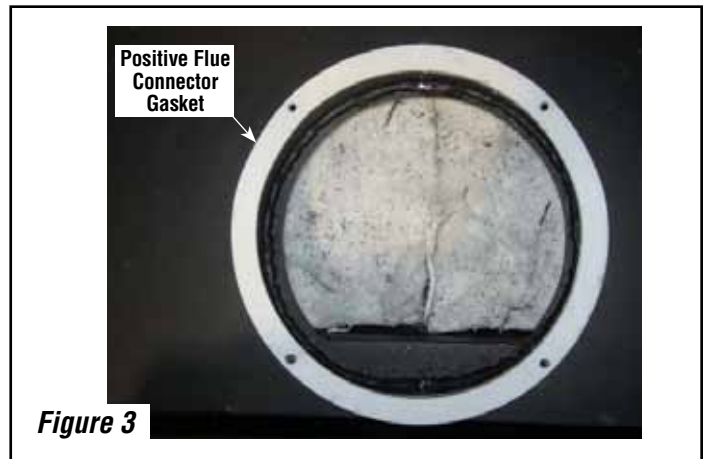


GENERAL INFORMATION

These kits are designed to be used with the fireplace inserts indicated above to reduce outlet diameter from 8" to 6" and to achieve a positive flue connection in fireplace installations. If you encounter any problems, need clarification of these instructions or are not qualified to properly install this kit, contact your local distributor or dealer.

INSTALLATION INSTRUCTIONS

- Step 1.** Set the gasket on the top of the insert lined up with the existing holes as shown in *Figure 3*. Place the 8" to 6" reducer in the flue opening. Next, set your flange on top of the reducer and tighten the four 10-24 x 1/2" self-tapping allen head screws into the drilled holes as shown in *Figure 4*.



NOTE: DIAGRAMS & ILLUSTRATIONS ARE NOT TO SCALE.

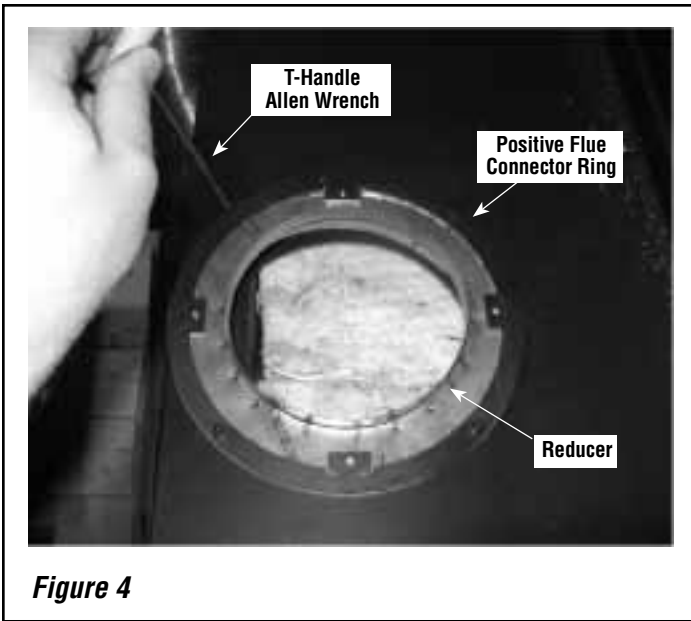


Figure 4

Step 2. Use of a stainless steel flex liner will require a flex pipe adaptor like the one seen in **Figure 5** (available from Security Chimneys™). Slide the adaptor over the flex and attach with sheet metal screws as shown in **Figure 5**. Slide the adaptor into the reducer flange and flue opening as shown in **Figure 5**. Use the four sheet metal screws supplied in the kit to fasten the flex adaptor to the reducer.

Step 3. When using rigid pipe, simply slide the rigid pipe down into the reducer. Using the four sheet metal screws supplied, fasten the pipe to the adaptor as shown in **Figure 6**.

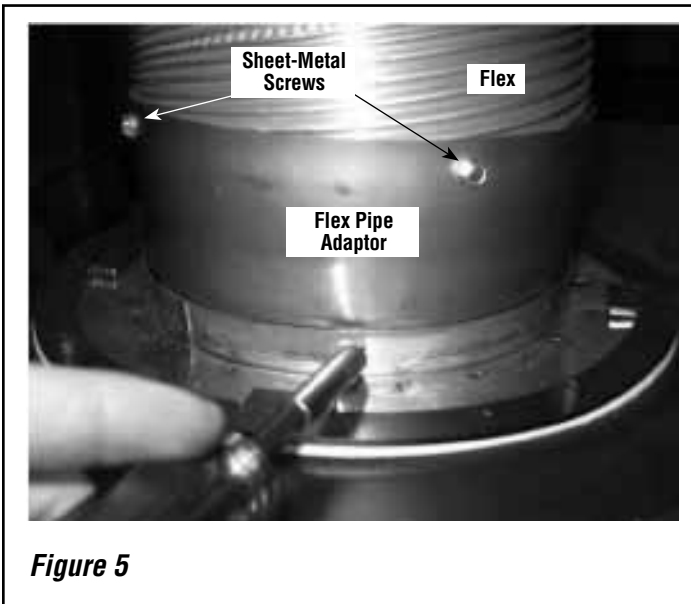


Figure 5

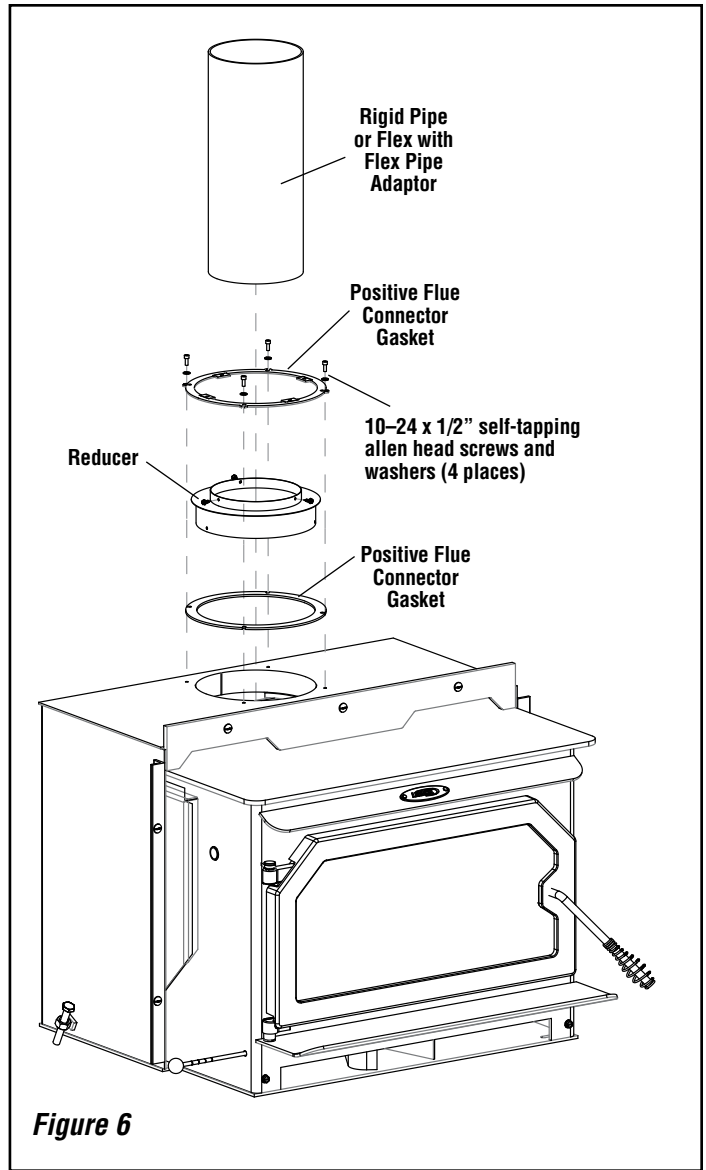


Figure 6

Lennox Hearth Products reserves the right to make changes at any time, without notice, in design, materials, specifications, prices and also to discontinue colors, styles and products. Consult your local distributor for fireplace code information.