

**INSTALLATION INSTRUCTIONS FOR INSTALLING OUTSIDE AIR KITS FOR  
USE WITH COUNTRY COLLECTION™ FREESTANDING WOODSTOVES WITH LEGS**



**KIT CONTENTS**

Please ensure that all these parts are included

- 1 ea. Adapter Box
- 1 ea. Four Inch Hose Clamp
- 1 ea. 15" of 4" Diameter Aluminum Flex Ducting *(for through the floor ducting installations. Through the wall ducting is not provided)*
- 1 ea. 1/4" x 1" Bolt
- 1 ea. Speed Nut
- 1 ea. Instruction Sheet

| Outside Air Kits (models with legs) |           |                       |
|-------------------------------------|-----------|-----------------------|
| Cat. No.                            | Model     | Where Used            |
| 71111                               | OUTAIRK-L | Outside Air Kit / Leg |

**TOOLS NEEDED**

- Flat Screwdriver
- 7/16" Open End Wrench or Ratchet with 7/16" Socket

**GENERAL INFORMATION**

An outside air kit provides a means to duct outside air from outside of the house or ventilated crawl space to provide combustion air to the firebox.

If you encounter any problems, need clarification of these instructions or are not qualified to properly install this kit, contact you local distributor or dealer.

Read this instruction sheet in its entirety before beginning the installation.

**ALL WARNINGS, PRECAUTIONS AND INSTRUCTIONS IN THE INSTALLATION AND OPERATION MANUAL PROVIDED WITH THE APPLIANCE APPLY TO THESE INSTRUCTIONS.**

Check the contents of the kits upon receipt and check for any damaged or missing parts. If there is hidden damage, notify your freight company or Lennox Hearth Products dealer immediately.

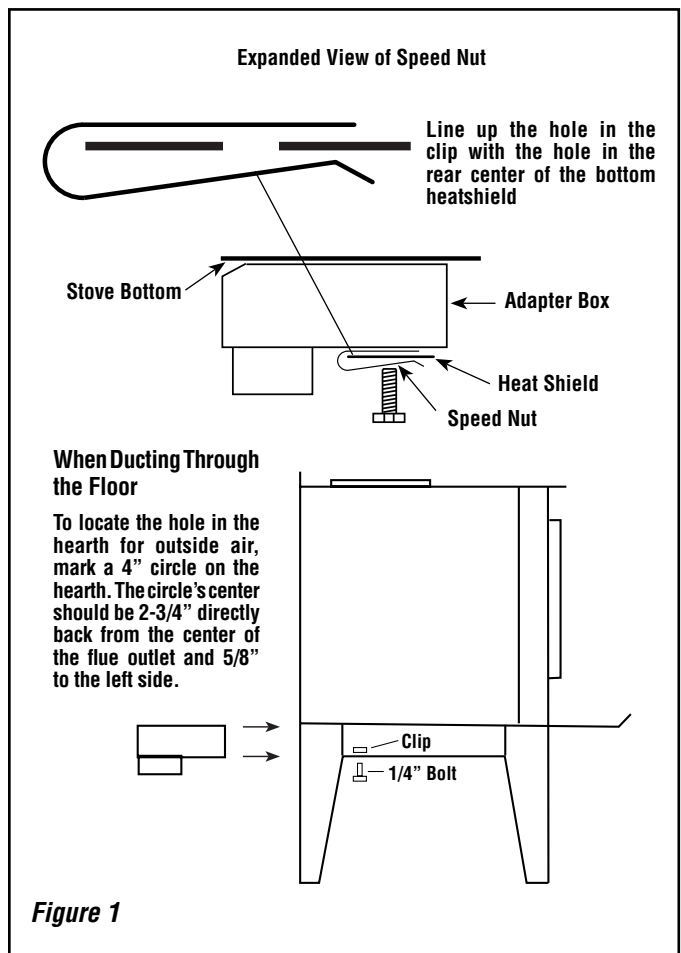
**CAUTION: Wear gloves during installation in case of sharp edges on the stove.**

**Manufactured (Mobile) Homes**

In manufactured homes, this appliance must be bolted to the floor and properly grounded to the chassis. An outside air kit is also required. See the *Installation and Operation Manual* for details and additional requirements for manufactured home installations.

**INSTALLATION INSTRUCTIONS**

- Step 1.** Slide the speed nut (flat surface up) over the center of the rear edge of heat shield and line up the hole in speed nut with the hole in the heat shield.
- Step 2.** Slide the adapter box (collar down) into the air channel between the stove bottom and the heat shield until the collar is about 1/4" from the heat shield.
- Step 3.** Using a 7/16" wrench or ratchet with 7/16" socket thread the 1/4" bolt up through the speed nut and tighten until snug against the adapter box (See *Figure 1*).



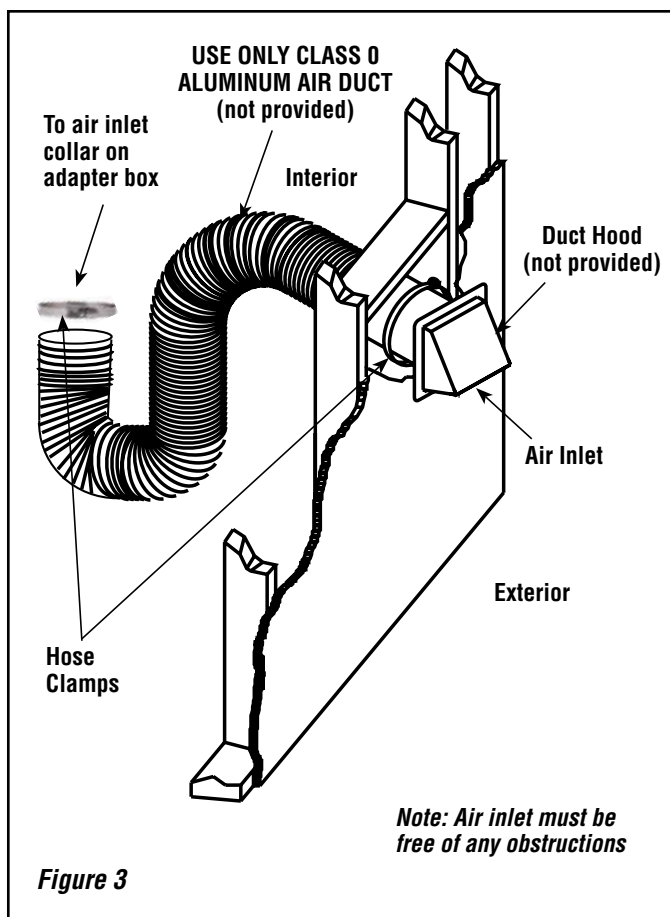
**Step 4. Instructions for ducting THROUGH A FLOOR to a ventilated crawl space below a residence or ventilated skirting below a manufactured home (if ducting through a wall, skip to step 5).**

- a. Position the stove on your floor protection in the exact location where it is to be located, making sure all minimum clearances are met. Mark the floor protection directly below the air inlet collar on the stove is located. Move the stove away.
- b. Cut a 4" (102 mm) diameter hole through the floor protection and the floor.
- c. Place the hose clamp over the air ducting (provided), slide one end of the air duct in the hole and the other over the collar on the adapter box. Fasten the air duct on the adapter box by tightening the hose clamp. Paint the air duct, if desired.

**Step 5. When ducting THROUGH EXTERIOR WALL to the outdoors**

Mark and cut a 4" (102 mm) diameter hole in the exterior wall per steps below.

- a. Position the stove on your floor protection in the location where it is to be located, making sure all minimum clearances are met. Mark the exterior wall where the duct will penetrate the wall (see **Figure 3**). Ensure you avoid all structural members of your house when cutting the hole.
- b. **Install as follows:** Connect the 4" (102 mm) air duct (not provided), to the collar on the adapter box using a hose clamp. Secure the other end of the air duct to the duct hood using a hose clamp (see **Figure 3**).



**Important Notes:**

**THE OUTSIDE AIR DUCT (NOT PROVIDED) MUST BE 4 INCH DIAMETER CLASS 0 ALUMINUM FLEXIBLE AIR DUCT.**

*A screen and dryer duct hood as shown in Figure 3 is recommended (not provided). We recommend that the inlet be at least 4 feet above grade level.*

**⚠ CAUTION**

**Avoid installing the air inlet where the opening could be blocked by snow, bushes, leaves or other obstacles.**

NOTE: DIAGRAMS AND ILLUSTRATIONS ARE NOT TO SCALE.

Lennox Hearth Products reserves the right to make changes at any time, without notice, in design, materials, specifications, prices and also to discontinue colors, styles and products. Consult your local distributor for fireplace code information.

**LENNOX**  
HEARTH PRODUCTS