



HEARTH PRODUCTS

HEARTH PRODUCTS
KITS AND ACCESSORIES

P/N 506033-14
Rev. D, 09/2011

LEG AND HEATSHIELD KITS

INSTALLATION INSTRUCTIONS FOR INSTALLING LEG AND HEATSHIELD KITS FOR USE WITH COUNTRY COLLECTION™ MODELS S160, SS210, ST210, S260 AND ST310 FREESTANDING WOODSTOVES



KIT CONTENTS

Please ensure that all these parts are included

Leg Kits

- 4 ea. Legs
- 2 ea. Oval Washers and Allen Head Screws (Olympic Leg Kits Only)
- 2 ea. 1/4"-20 x 1" Hex Bolt (Cascade Leg Kits Only)
- 4 ea. 1/4"-20 Hex Nuts (Cascade Leg Kits Only)

Heatshield Kits

- 1 ea. Heat Shield Assembly
- 4 ea. 3/8"-16 x 2-1/8" Studs
- 6 ea. 3/8" Flat Washers
- 4 ea. 3/8"-16 Hex Nuts
- 2 ea. 3/8"-16 x 2-1/4" Hex Bolts
- 1 ea. Instruction Sheet

Note: The 3/8" Studs used to bolt the legs to the stove are packaged with the heatshield, as a heatshield is required when a stove is installed on legs.

Models - S160, SS210, ST210, S260 and ST310

Leg Kits (set of 4 - all models)		
Cat. No.	Model	Description
70000	LEG-OLY-B	Olympic Sculptured Black
70001	LEG-OLY-G	Olympic Sculptured Gold
70002	LEG-OLY-N	Olympic Sculptured Nickel
70007	LEG-OLY-BRG	Olympic Sculptured Brushed Gold
70008	LEG-OLY-BRN	Olympic Sculptured Brushed Nickel
70003	LEG-CAS-B	Cascade Steel Black

Heat Shield Kits (required with leg kits - ordered separately)		
Cat. No.	Model	Description
71110	WSHS-160	Heat Shield - S160
71115	WSHS-210	Heat Shield - SS210, ST210
71116	WSHS-260	Heat Shield - S260
71117	WSHS-310	Heat Shield - ST310



TOOLS NEEDED

- 9/16" Open End Wrench or Ratchet with 9/16" Deep Socket
- 5/32" Allen Wrench Or T-Handle Wrench (Olympic Leg Kits Only)
- 7/16" Open End Wrench (Cascade Leg Kits Only)

GENERAL INFORMATION

If you encounter any problems, need clarification of these instructions or are not qualified to properly install this kit, contact you local distributor or dealer.

Read this instruction sheet in its entirety before beginning the installation.

ALL WARNINGS, PRECAUTIONS AND INSTRUCTIONS IN THE INSTALLATION AND OPERATION MANUAL PROVIDED WITH THE APPLIANCE APPLY TO THESE INSTRUCTIONS.

Check the contents of the kits upon receipt and check for any damaged or missing parts. If there is hidden damage, notify your freight company or Lennox Hearth Products dealer immediately.

CAUTION: Wear gloves during installation in case of sharp edges on the stove.

INSTALLATION INSTRUCTIONS

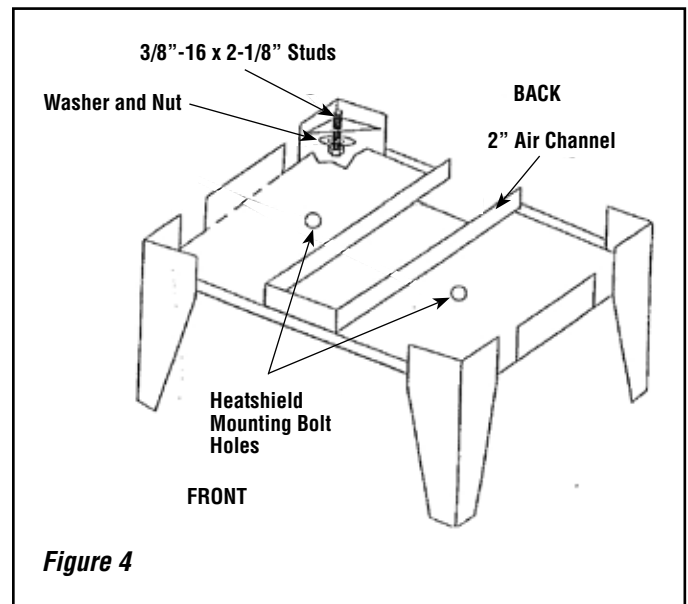
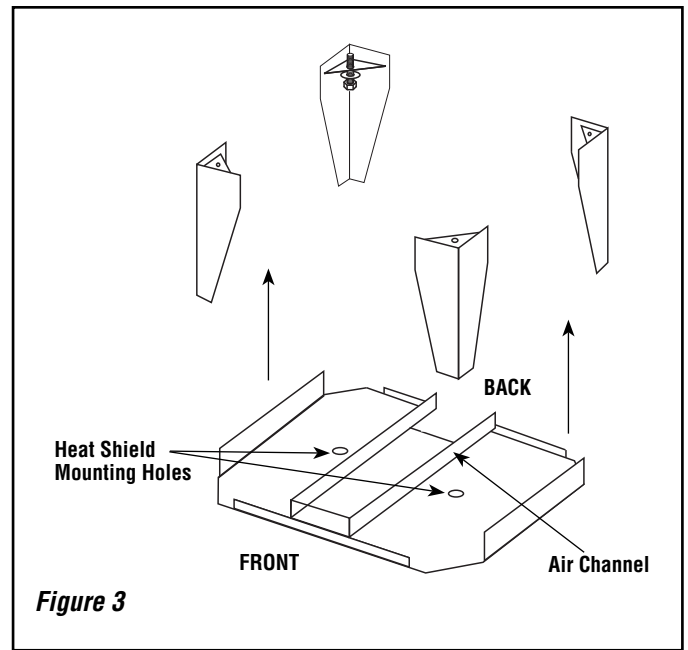
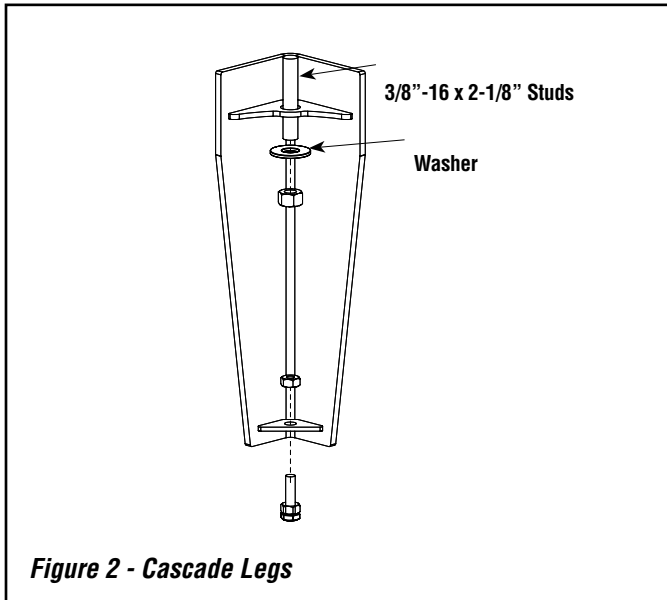
Step 1. Carefully place the stove on its back or use a lifting device to lift the unit for installation of the legs. Use a piece of cardboard or carpet to protect the unit from scratches or any damage to the painted surface.

Step 2. Mount Legs to Stove Bottom

- a. Screw the four 3/8" Studs into the holes at the four corners on the bottom of the stove. Screw the studs into the firebox three full rotations or 3/16" to 1/4" (**Caution: If the rear studs are screwed in too far they will lift the bricks off the bottom of the stove**).
- b. Place a washer and 3/8" nut on each stud and then tighten down with 9/16" wrench (see **Figure 2**). Be sure the legs are mounted squarely on the stove firebox bottom. Tighten nuts securely.

Step 3. Install Heat Shield - Using a 9/16" end-wrench or socket, install the two 2-1/4" long bolts and two washers (provided with the heatshield kit), to mount the heatshield to the stove firebox bottom (see **Figures 3 and 4**).

DO NOT OVER TIGHTEN THE HEATSHIELD MOUNTING BOLTS AS IT MAY BEND THE HEATSHIELD.



NOTE: DIAGRAMS AND ILLUSTRATIONS ARE NOT TO SCALE.

Lennox Hearth Products reserves the right to make changes at any time, without notice, in design, materials, specifications, prices and also to discontinue colors, styles and products. Consult your local distributor for fireplace code information.

LENNOX
HEARTH PRODUCTS