



HEARTH PRODUCTS

HEARTH PRODUCTS  
KITS AND ACCESSORIES

P/N 506033-43  
Rev. NC, 03/2010

FACEPLATE KITS

**INSTALLATION INSTRUCTIONS FOR INSTALLING FACEPLATE KITS  
FOR USE WITH MODELS S160, SS210, ST210, S260, ST310, C160, C210,  
C260, E260 AND C310 WOOD STOVES AND WOOD FIREPLACE INSERTS**



**KIT CONTENTS**

- 1 ea. Arch or Traditional Faceplate
- 1 ea. Tube Of Anti-seize
- 1 ea. Instruction Sheet

**TOOLS NEEDED**

5/32" Allen Wrench or T-Handle Wrench

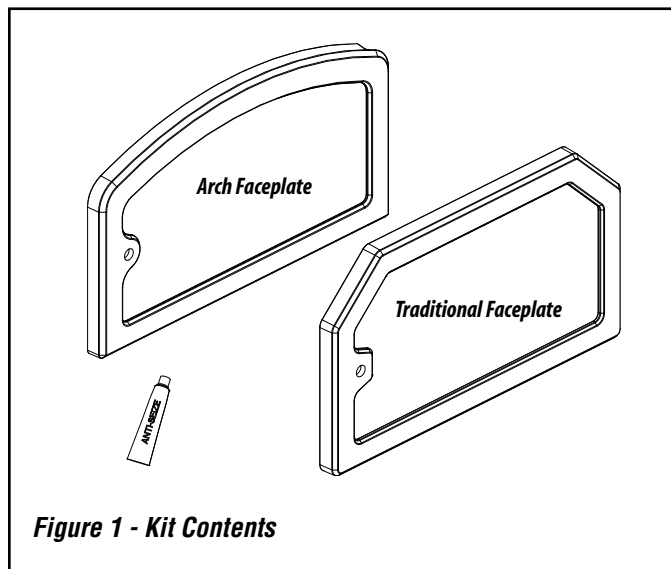


Figure 1 - Kit Contents

Faceplate Kits For Models: C260, E260, C310, S260 and ST310		
Cat. No.	Model	Description
71082	TRAD-FP-B-LG	Traditional Door Faceplate / Black
71083	TRAD-FP-G-LG	Traditional Door Faceplate / Gold
71084	TRAD-FP-N-LG	Traditional Door Faceplate / Nickel
71149	TRAD-FP-BG-LG	Traditional Door Faceplate / Brushed Gold
71146	TRAD-FP-BN-LG	Traditional Door Faceplate / Brushed Nickel

**GENERAL INFORMATION**

These decorative faceplate kits are offered in various attractive finishes to accentuate the look of your wood stove or wood fireplace insert.

**Take great care when handling the faceplates to prevent scratching.**

If you encounter any problems, need clarification of these instructions or are not qualified to properly install this kit, contact you local distributor or dealer.

Read this instruction sheet in its entirety before beginning the installation.

**ALL WARNINGS AND PRECAUTIONS IN THE INSTALLATION AND OPERATION MANUAL PROVIDED WITH THE APPLIANCE APPLY TO THESE INSTRUCTIONS.**

**ALLOW THE STOVE OR INSERT TO COMPLETELY COOL BEFORE PROCEEDING.**

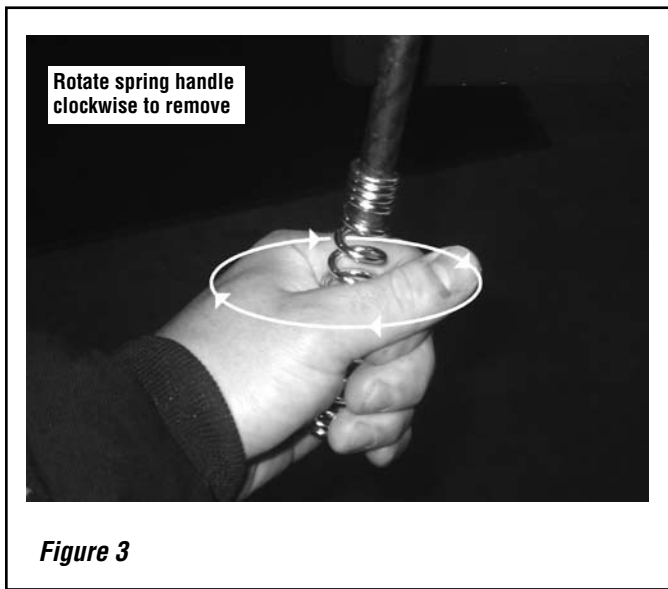
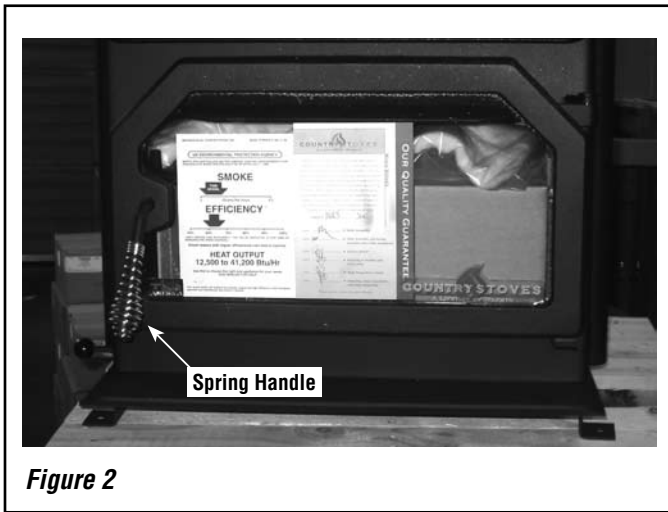
Faceplate Kits For Models: C160, C210, S160, ST210 and SS210		
Cat. No.	Model	Description
71057	TRAD-FP-B-SM	Traditional Door Faceplate / Black
71058	TRAD-F-G-SM	Traditional Door Faceplate / Gold
71059	TRAD-FP-N-SM	Traditional Door Faceplate / Nickel
71148	TRAD-FP-BG-SM	Traditional Door Faceplate / Brushed Gold
71145	TRAD-FP-BN-SM	Traditional Door Faceplate / Brushed Nickel
71060	ARCH-FP-B-SM	Arch Door Faceplate / Black
71061	ARCH-FP-G-SM	Arch Door Faceplate / Gold
71062	ARCH-FP-N-SM	Arch Door Faceplate / Nickel
71147	ARCH-FP-BG-SM	Arch Door Faceplate / Brushed Gold
71144	ARCH-FP-BN-SM	Arch Door Faceplate / Brushed Nickel

**! IMPORTANT**

**Be sure to clean plated surfaces with a soft cloth and household glass cleaner prior to burning the stove or insert. Fingerprints left on the plated surfaces while burning may remain on the finish permanently.**

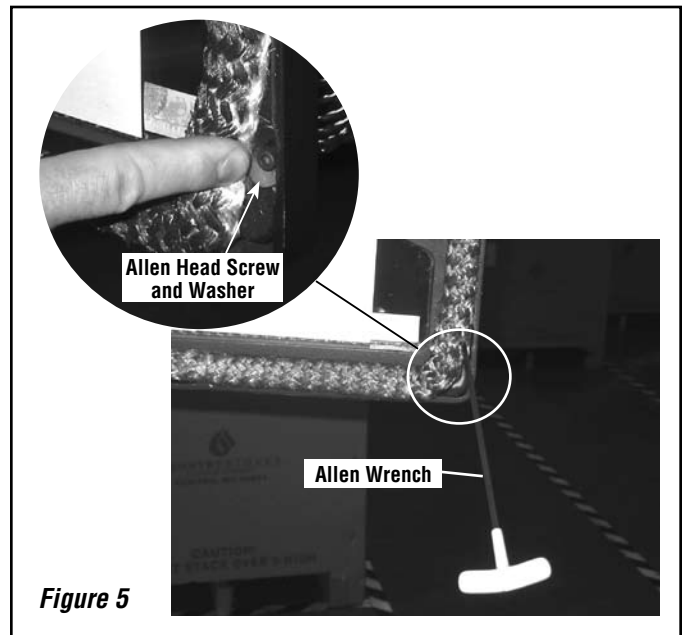
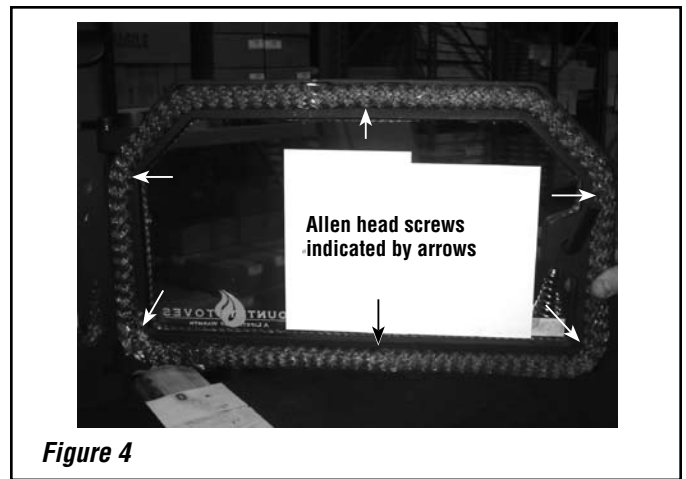
## INSTALLATION INSTRUCTIONS

**Step 1. Remove Spring Handle** - Twist spring handle clockwise and pull down at the same time to remove from handle rod (see **Figures 2 and 3**).

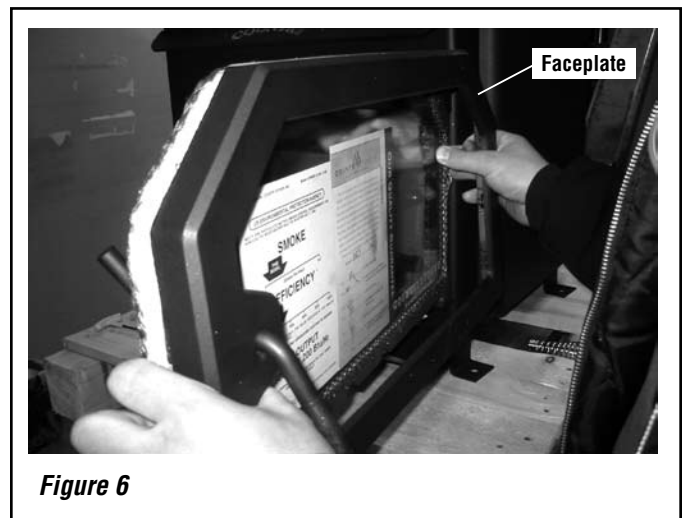


**Step 2. Remove Faceplate Screws and Washers** - Partially peel back the door gasket, to expose the six screws and washers (see **Figure 4**). **Note:** Peel the gasket back just enough to get your 5/32" allen wrench on the screws (see **Figure 5**). It is very important not to pull the gasket all the way off the door. If the gasket becomes hard to pull, you have gone too far. Fragile care should be taken when working around the door rope junction.

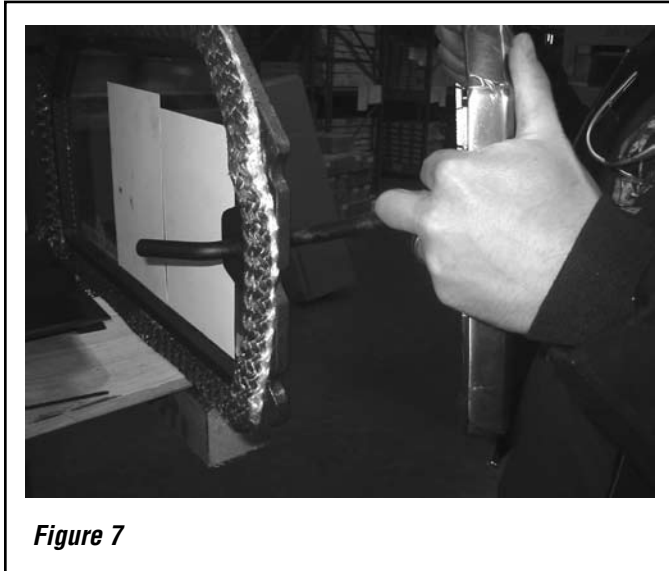
**IMPORTANT NOTE:** Be sure not to over tighten the screws. If the screws are over tightened the glass may crack when the stove is hot.



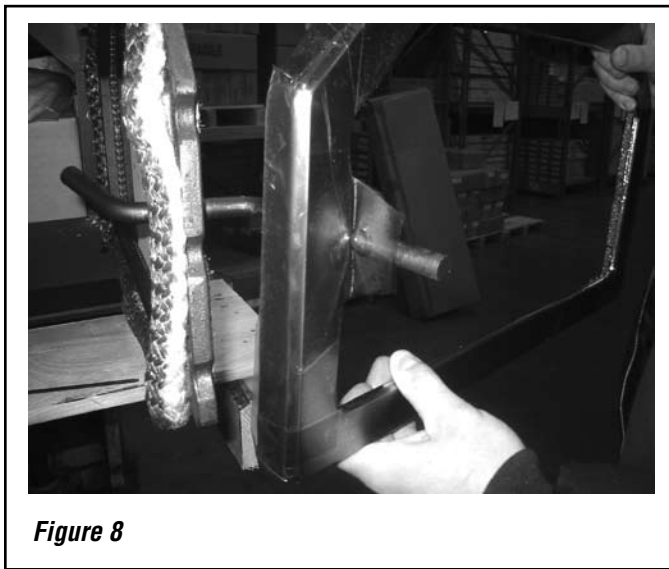
**Step 3. Remove Faceplate** - Be advised that the faceplate also functions as a glass retainer (see **Figure 6**). Make sure to apply inward pressure on the glass while removing the faceplate. **IMPORTANT, PRESS THE GLASS INWARD TO ENSURE THE GLASS STAYS IN THE GROOVE AND DOES NOT FALL OUT AND BREAK.**



**Step 4. Install New Faceplate** - Slide the faceplate over the handle rod while the handle rod is at a 90° position (see **Figures 7 and 8**). Move the handle rod up and down and slightly in and out when sliding the faceplate onto the handle rod. **IMPORTANT, ALWAYS PRESS INWARD ON THE GLASS WHILE THE FACEPLATE IS NOT RETAINING THE GLASS, OTHERWISE THE GLASS MAY FALL OUT AND BREAK.**

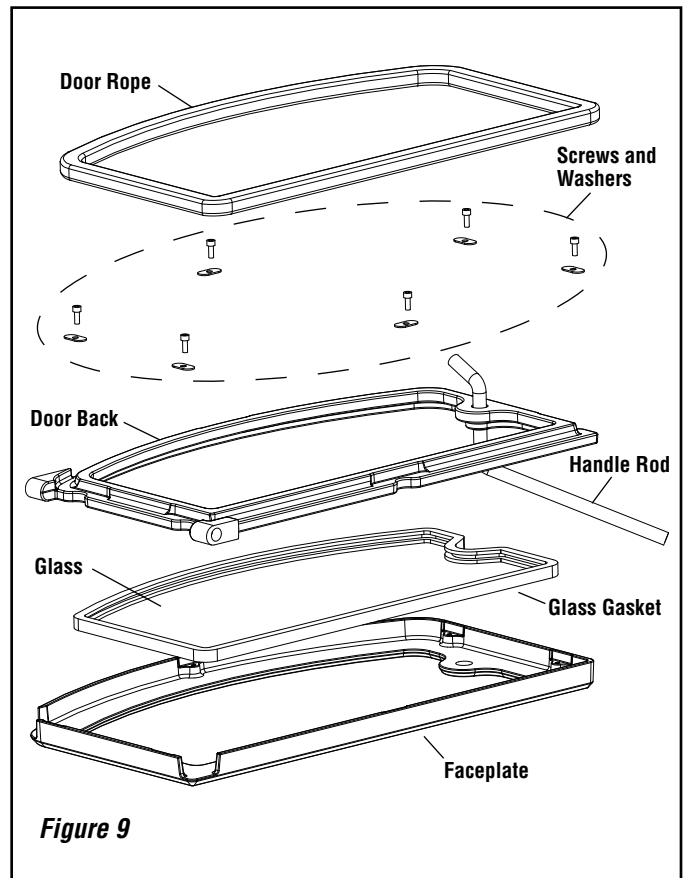


**Figure 7**



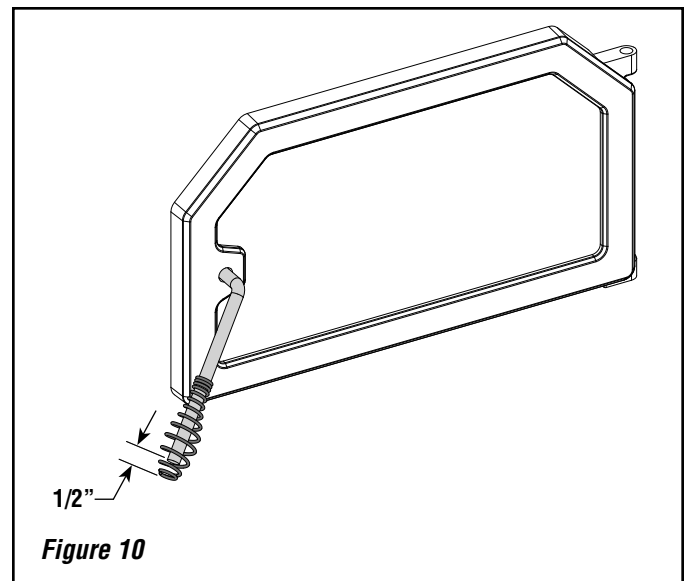
**Figure 8**

**Step 5. Reinstall The Six Screws and Washers** - Apply the anti-seize provided before reinstalling the screws. The anti-seize is applied to the screws for ease of the removal of the screws if removal is needed in the future. Ensure that the widest side of the washers is in the direction of the glass as shown in **Figure 9**. Do not tighten screws completely at this time. The door will have up and down play. Place a level on top of the door to level the faceplate. Once the faceplate is level, tighten the six screws. The washers should have a slight bow once they are tightened.



**Figure 9**

**Step 6. Reinstall Spring Handle** - Slide the spring handle over the handle rod by pushing up and turning the spring handle clockwise (see **Figure 10**). Make sure to leave a 1/2 inch gap between the end of the handle rod and the bottom of the spring handle, This will also allow for a 1/2 inch of play side to side. **Installing the spring handle too far, where there is no side to side play, will result in the spring handle becoming VERY HOT to the touch.**



**Figure 10**

---

Lennox Hearth Products reserves the right to make changes at any time, without notice, in design, materials, specifications, prices and also to discontinue colors, styles and products. Consult your local distributor for fireplace code information.

