



HEARTH PRODUCTS

HEARTH PRODUCTS  
KITS AND ACCESSORIES

750184M  
Rev. C 04/2011

DECORATIVE FREE-STANDING SCREEN  
MONTEBELLO™ SERIES

**INSTALLATION INSTRUCTIONS FOR DECORATIVE FREE-STANDING SCREEN KITS  
FOR USE WITH MONTEBELLO™ SERIES DIRECT VENT GAS FIREPLACES  
MODELS LSM40-2 / LSM40-PV / LSM40ST / LSM40ST-PV / LSM45-2 / LSM45-PV**

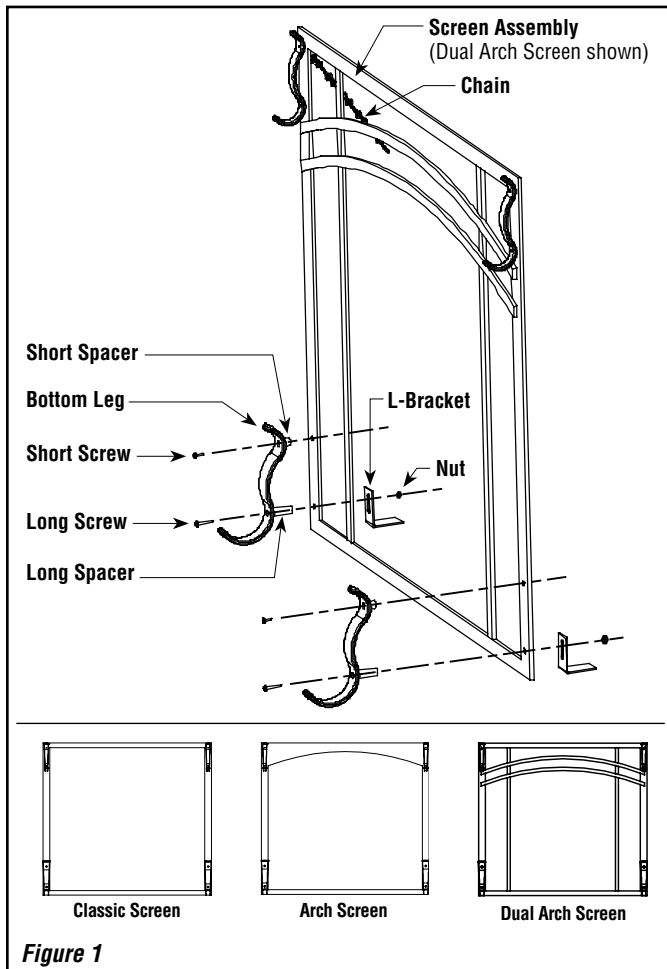


**KIT CONTENTS (See Figure 1)**

- (1) ea. Screen Assembly (includes attached chain)
- (2) ea. Bottom Legs
- (2) ea. Long Screws
- (2) ea. Short Screws
- (2) ea. Long Spacers
- (2) ea. Short Spacers
- (4) ea. Nuts
- (2) ea. L-Brackets
- (1) ea. Instruction Sheet

**REQUIRED TOOLS**

- 7/32" Allen Wrench
- 7/16" Nut Driver



**⚠ WARNING**

**HOT GLASS WILL CAUSE BURNS.  
DO NOT TOUCH GLASS UNTIL COOLED.  
NEVER ALLOW CHILDREN TO TOUCH GLASS.**

**These decorative screens  
are NOT heat guards.**

- The surfaces on your fireplace get **EXTREMELY HOT!**
- The glass on the front of the fireplace reaches **EXTREMELY HIGH** temperatures and can cause severe burns if touched. Even after the gas is turned off, fireplace surfaces remain extremely hot.
- Keep children away from an operating fireplace. Closely supervise children in any room where a fireplace is operating to prevent contact with glass.

Montebello Series Decorative Free-Standing Screen Kits		
Description	Model	Cat. No.
Classic Screen Kit - LSM40 Series	SK-LSM40-2	H5052
Classic Screen Kit - LSM45 Series	SK-LSM45-2	H5055
Arch Screen Kit - LSM40 Series	ASK-LSM40-2	H5053
Arch Screen Kit - LSM45 Series	ASK-LSM45-2	H5056
Dual Arch Screen Kit - LSM40 Series	DASK-LSM40-2	H5051
Dual Arch Screen Kit - LSM45 Series	DASK-LSM45-2	H5054

**GENERAL INFORMATION**

These decorative, free-standing screens are designed to enhance the beauty of the fireplace and create a barrier to prevent direct contact with the hot glass.

The attached chain is provided to secure the screen to the fireplace, to help prevent the screen from tipping over.

The chain is designed for use with the following Montebello™ fireplaces:


- H4793 (LSM40MN-2)
- H4794 (LSM40MP-2)
- H4797 (LSM40EN-2)
- H4795 (LSM45MN-2)
- H4796 (LSM45MP-2)
- H4798 (LSM45EN-2)
- H7937 (LSM40ST-N)
- H7938 (LSM40ST-P)
- H7939 (LSM40ST-N-PV)
- H7773 (LSM40EN-PV)
- H7774 (LSM45EN-PV)

**Note: These screens are for INDOOR USE ONLY.**

**NOTICE**

- Read all steps before starting installation.
- These instructions must be left with the appliance.
- All warnings, precautions, and instructions in the *Installation Instructions* and *Care and Operation Instructions* provided with the appliance also apply to these instructions.
- If you encounter any problems, need clarification of these instructions, or are not qualified to properly install this kit, contact your local distributor or dealer.

**INSTALLATION INSTRUCTIONS**

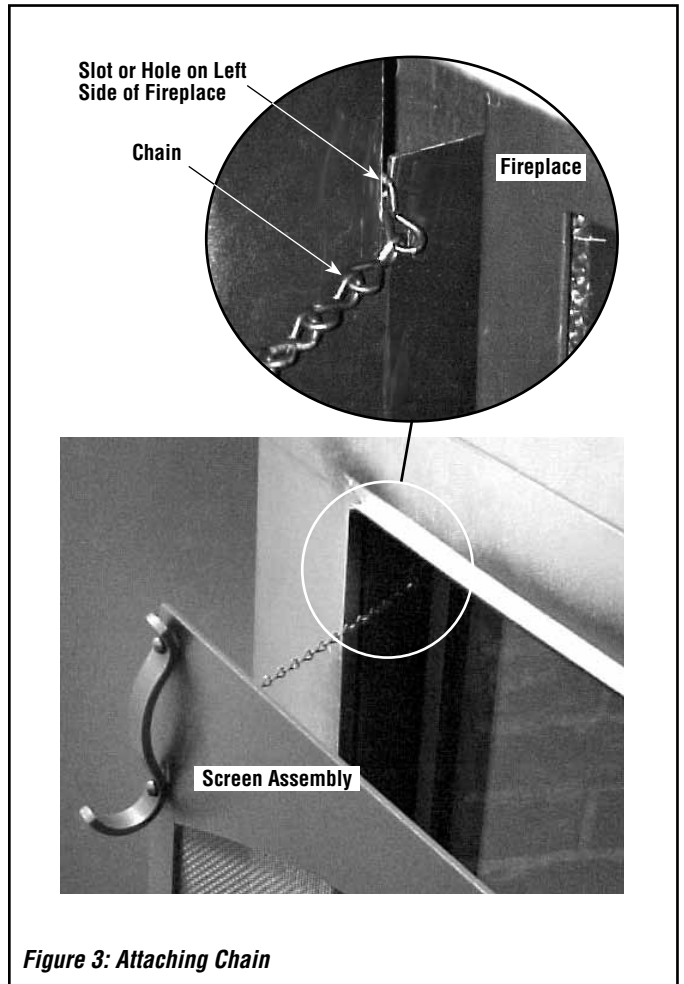
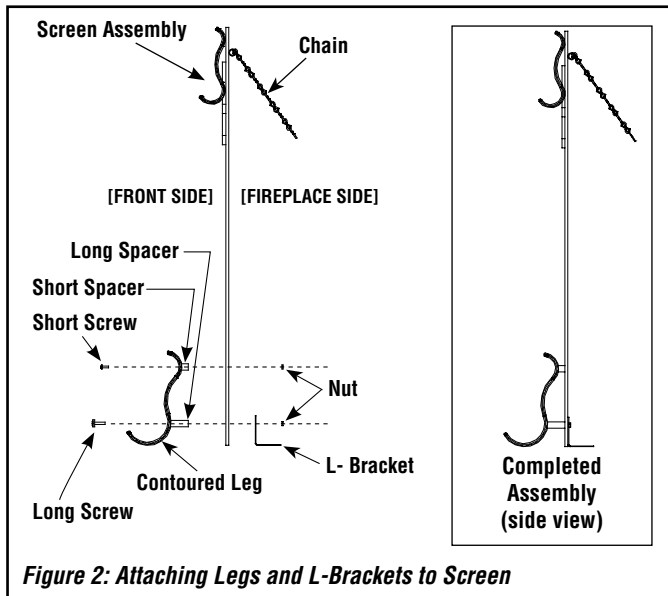


**WARNING**

**Burn hazard. Hot surface. Do not touch.**  
**Install only when fireplace is OFF and COLD.**

*Turn off fireplace and allow it to completely cool before proceeding.*

- Step 1.** Using a 7/32" allen wrench and 7/16" nut driver, loosely assemble the parts as shown in *Figures 1 and 2* (do not tighten yet).
- Step 2.** Adjust the L-bracket to the height needed for this installation (slot allows up to 1-inch vertical adjustment). When satisfied the screen will stand stable in front of the fireplace, tighten the nuts on both sides.
- Step 3.** Place assembled free-standing screen in front of the fireplace, near the glass door assembly.
- Step 4.** See *Figure 3*. Hook the chain to the slot or hole in the left side of the fireplace modesty panel. **Make sure the chain is securely attached.**



NOTE: DIAGRAMS & ILLUSTRATIONS ARE NOT TO SCALE.

Lennox Hearth Products reserves the right to make changes at any time, without notice, in design, materials, specifications, and prices, and also to discontinue colors, styles, and products. Consult your local distributor for fireplace code information.

