



HEARTH PRODUCTS

HEARTH PRODUCTS
KITS AND ACCESSORIES

775,253M
Rev. A, 06/2010

ARCH AND CLASSIC FACE AND INSET KITS
MODELS RAVELLE™ 30 AND RAVELLE 42

**INSTALLATION INSTRUCTIONS FOR INSTALLING ARCH AND CLASSIC FACE KITS
FOR USE WITH THE RAVELLE 30 AND RAVELLE 42 DIRECT VENT GAS FIREPLACES**




KIT CONTENTS (See Figure 1):

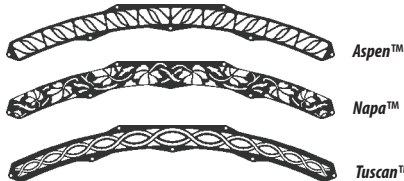
Please ensure that all these parts are in one of the two boxes.
See complete list of kits available on **Page 4**.


- 1 ea. Face, (Large box) Item #1
- 1 ea. Insets (Two insets in small box), Item #2
- 2 ea. Mounting brackets (Included in large box) Item #3
- 1 ea. Bolt Kit (Includes 2- lower mounting screws and 14 ea. 10/24 nuts) (Included in large box) Item #4
- 1 ea. Instruction Sheet

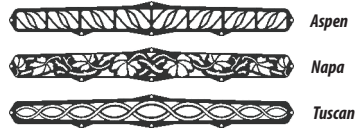
TOOLS NEEDED:

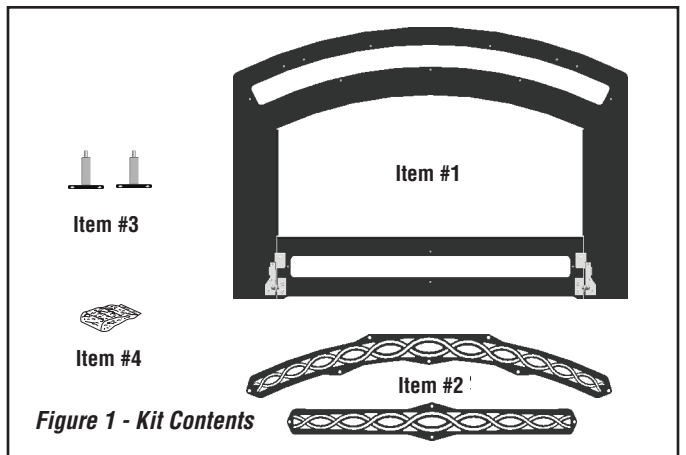
- 3/8" Nutdriver or Wrench
- Phillips Screwdriver

Arch Face - Required to Complete Face: Insets 		
RAVELLE 30 Cat. No.	RAVELLE 42 Cat. No.	Description
75286	75294	Black Face
75288	75296	Gold Face
75287	75295	Brushed Nickel Face
75289	75297	Black Nickel Face

Insets - Required, Includes 1 Top & 1 Bottom Inset 		
RAVELLE 30 Cat. No.	RAVELLE 42 Cat. No.	Description
75306	75322	ASPEN Black
75308	75324	ASPEN Gold
75307	75323	ASPEN Brushed Nickel
75309	75325	ASPEN Black Nickel
75330	75338	NAPA Black
75332	75340	NAPA Gold
75331	75339	NAPA Brushed Nickel
75333	75341	NAPA Black Nickel
75298	75314	TUSCAN Black
75300	75316	TUSCAN Gold
75299	75315	TUSCAN Brushed Nickel
75301	75317	TUSCAN Black Nickel

Classic Face - Required to Complete Face: Insets 		
RAVELLE 30 Cat. No.	RAVELLE 42 Cat. No.	Description
75282	75290	Black Face, Classic
75284	75292	Gold Face, Classic
75283	75291	Brushed Nickel Face, Classic
75285	75293	Black Nickel Face, Classic

Insets (Required - Includes 1 Top & 1 Bottom Inset) 		
RAVELLE 30 Cat. No.	RAVELLE 42 Cat. No.	Description
75310	75326	ASPEN Black
75312	75328	ASPEN Gold
75311	75327	ASPEN Brushed Nickel
75313	75329	ASPEN Black Nickel
75302	75318	NAPA Black
75304	75320	NAPA Gold
75303	75319	NAPA Brushed Nickel
75305	75321	NAPA Black Nickel
75334	75342	TUSCAN Black
75336	75344	TUSCAN Gold
75335	75343	TUSCAN Brushed Nickel
75337	75345	TUSCAN Black Nickel



NOTE: DIAGRAMS AND ILLUSTRATIONS ARE NOT TO SCALE.

GENERAL INFORMATION

All of these parts may scratch and bend, great care should be used in handling them.

If you encounter any problems, need clarification of these instructions or are not qualified to properly install this kit, contact your local distributor or dealer.

Read this instruction sheet in its entirety before beginning the installation.

ALL WARNINGS AND PRECAUTIONS IN THE INSTALLATION AND OPERATION MANUAL PROVIDED WITH THE APPLIANCE APPLY TO THESE INSTRUCTIONS.

TURN OFF THE FIREPLACE AND ALLOW IT TO COMPLETELY COOL BEFORE PROCEEDING.

INSTALLATION INSTRUCTIONS

Step 1. Remove the face from the box (item #1 in *Figure 1*) and place the face down making sure that the side with the studs are facing upwards. Be sure that the front of the face is lying on a soft non-abrasive surface to avoid any scratches to the surface of the face.

Step 2. Remove the insets from its box (item #2 in *Figure 1*). If you have chosen a brushed nickel, black nickel or gold insets there will be blue protective tape on the side that will be directed towards the front of the appliance or facing away from you as you are doing this procedure. If you have chosen black insets either side can face the front of the face. Make sure the upper and lower inset patterns are facing the same direction so they appear the same when the face is installed on the unit.

Step 3. Next place the classic or arched insets holes over the studs along the top and the bottom designated studs. There are six studs on the top of the face to mount the top inset, and there are 4 studs on the bottom of the face to mount the bottom inset (See *Figure 2* for top stud location and see *Figure 3* for bottom stud location). The nuts to fasten the insets to the face can be found in the box the face came in.

VERY IMPORTANT: SCREW THE NUTS ONTO THE STUDS "FINGER TIGHT" ONLY. MAKE SURE THE FACE AND THE INSETS ARE NOT BOWED BEFORE TIGHTENING. THEY MUST BE STRAIGHT BEFORE THE INSETS ARE SECURED TO THE FACE. AFTER FINGER TIGHTENING THE NUTS YOU MAY NOW SNUG THE NUTS SLIGHTLY. OVER-TIGHTENING THE NUTS WILL RESULT IN DAMAGING THE STUDS AND THE FACE.

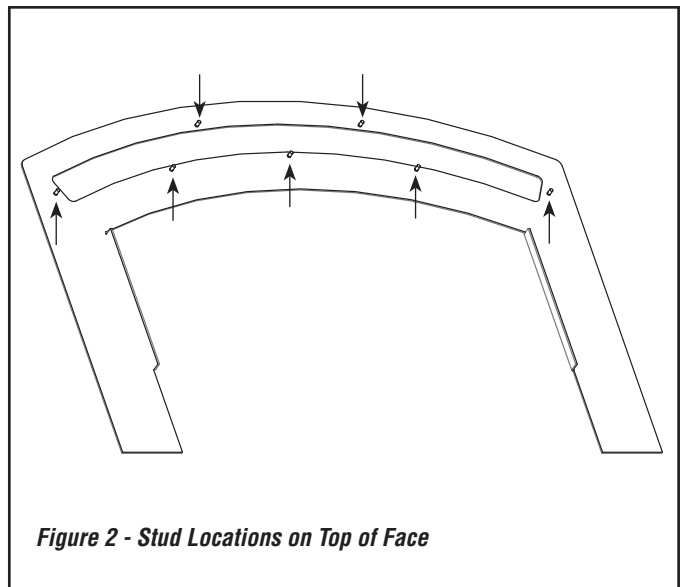


Figure 2 - Stud Locations on Top of Face

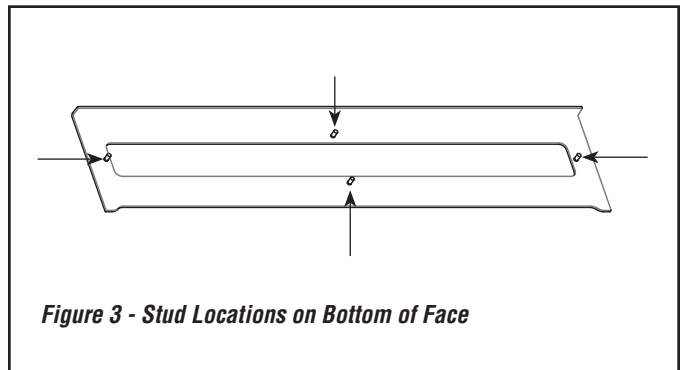
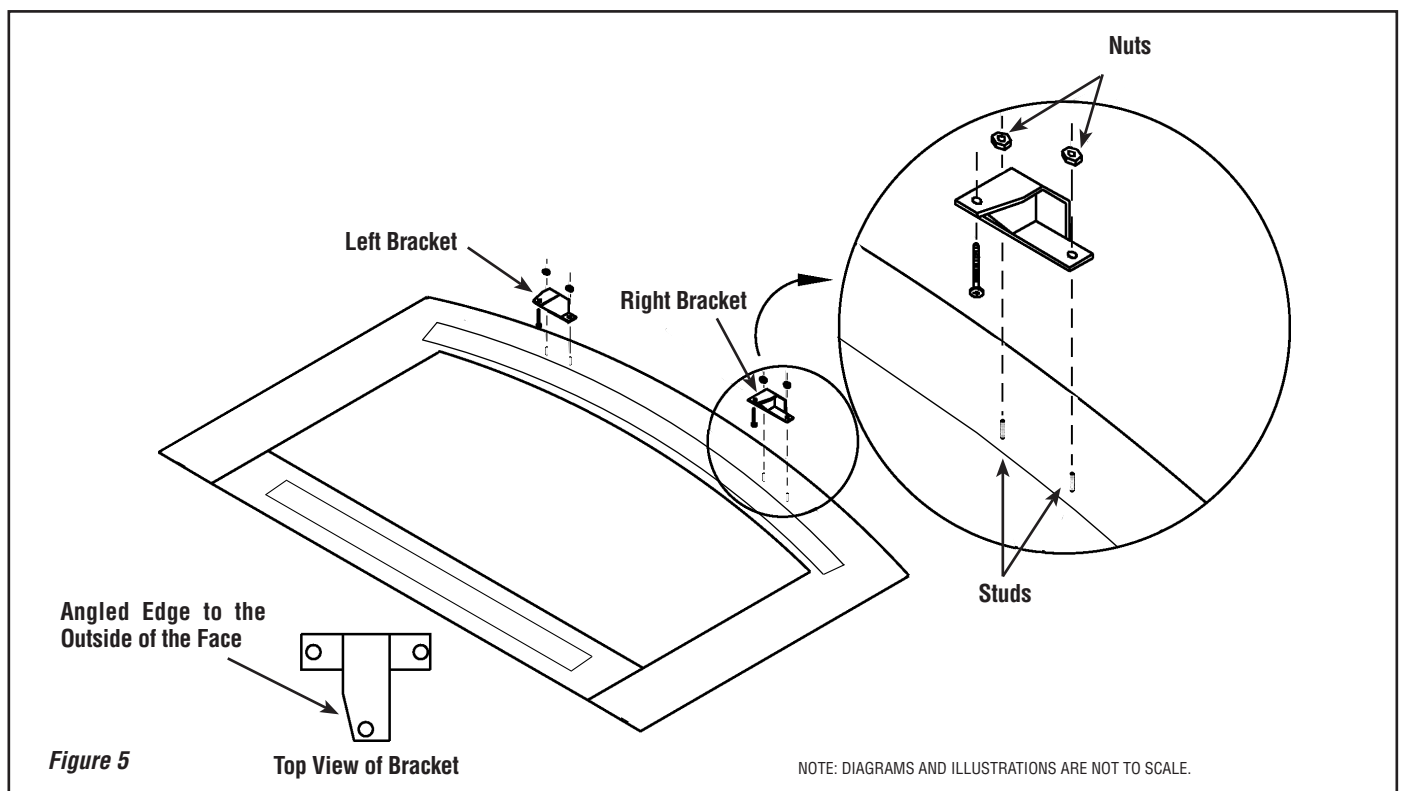
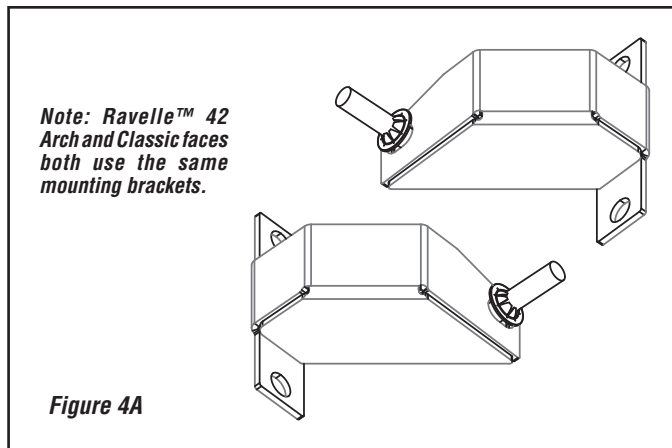
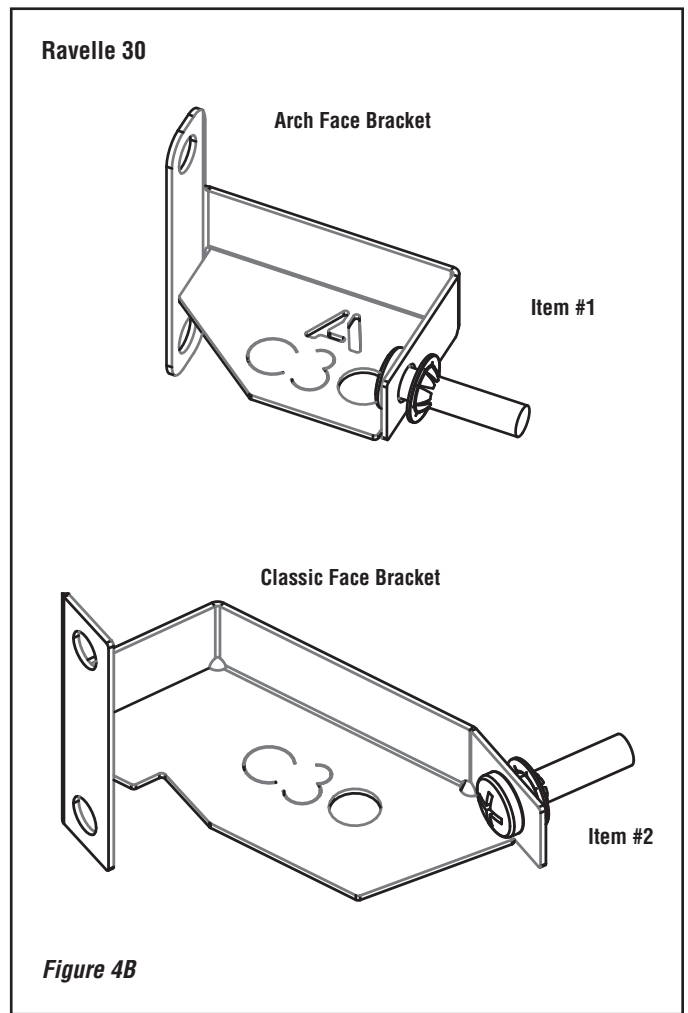


Figure 3 - Stud Locations on Bottom of Face

Step 4. Included in the face box are two mounting brackets that attach to the top of the face. There is a left and a right hand bracket. When the bracket is installed on the face the lower left hand corner of the bracket will have an angled edge that will be facing towards the outside of the face. The mounting brackets for the **Ravelle™ 30 Arch** face uses the smaller brackets with a measurement of 2 inches across the top (See **Figure 4B**, item #1). The mounting brackets you will use for the **Ravelle 30 Classic** face will be the longer brackets with a measurement of 3-1/2 inches across the top (See **Figure 4B**, item #2). Place the correct bracket onto the studs shown in **Figure 5**. Thread nuts onto the studs finger tight only (see **Figure 5**).

Step 5. Remove all protective film material from the face before installing it on the fireplace. Remove any finger prints or smudges from a plated face before burning the fireplace. They can be removed using denatured alcohol or household glass cleaner and a soft cloth. Marks left on these surfaces may become etched into the finish if not removed prior to burning the unit. Never use brass polish to clean the plated surfaces.



NOTE: DIAGRAMS AND ILLUSTRATIONS ARE NOT TO SCALE.

Face Installation

A number of different faces are available for the Ravelle 42 fireplace, however all the faces are installed in a similar manner. A total of four screws, two upper and two lower, attach the face to the fireplace. To install the face:

Step 6. Locate the two screws found in the hardware bag shipped with the face. Position the face (with the lower door open) in front of the fireplace. Install the two screws shown in **Figure 6**, through the holes in the lower door hinge bracket and screw them into the captive nut on the tab (see **Figure 6**). Do not fully tighten these screws yet.

Step 7. The bracket shown in **Figure 7** is installed on the face during the face assembly (see the instructions on the previous page). The captive screws, shown in **Figure 7**, on this bracket need to be screwed into captive nuts on the fireplace as follows; Align the face for plumb and level, then using a phillips head screwdriver (inserted through the vent holes in the face), tighten all four screws.

Caution: Any masonry that has been cleaned with an acid wash must be properly neutralized before installing the fireplace face. The acid wash will tarnish the face. Consult your masonry installer.

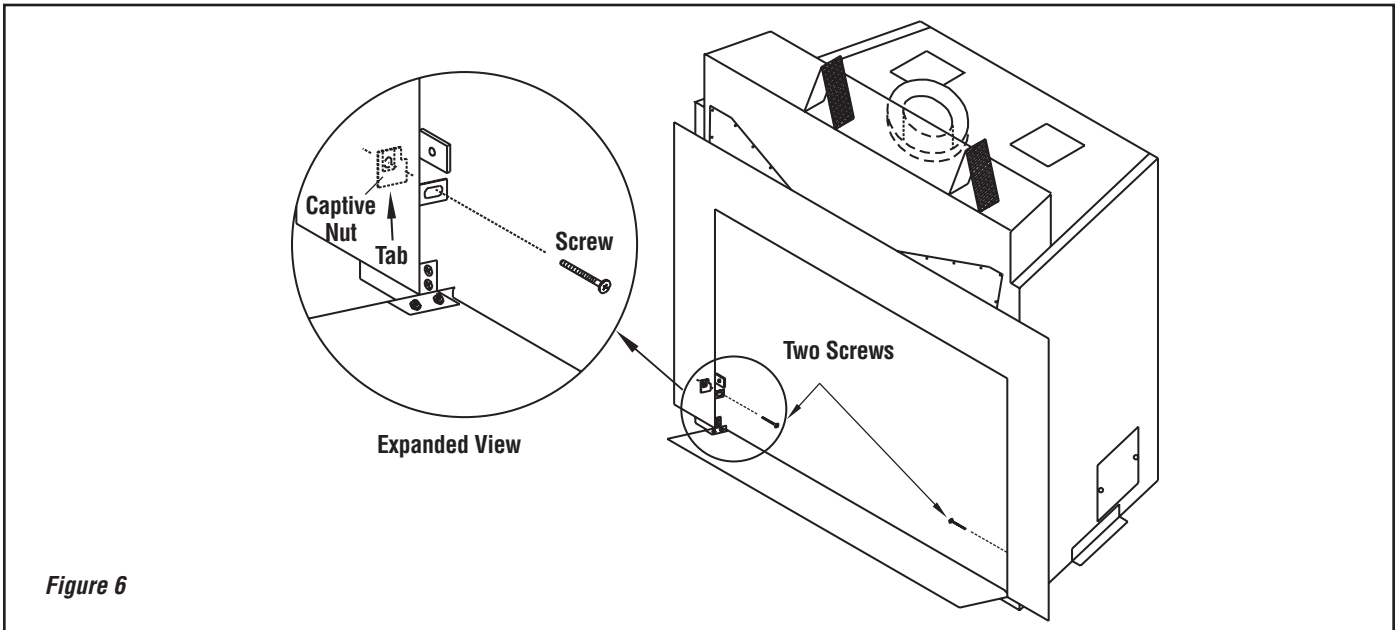


Figure 6

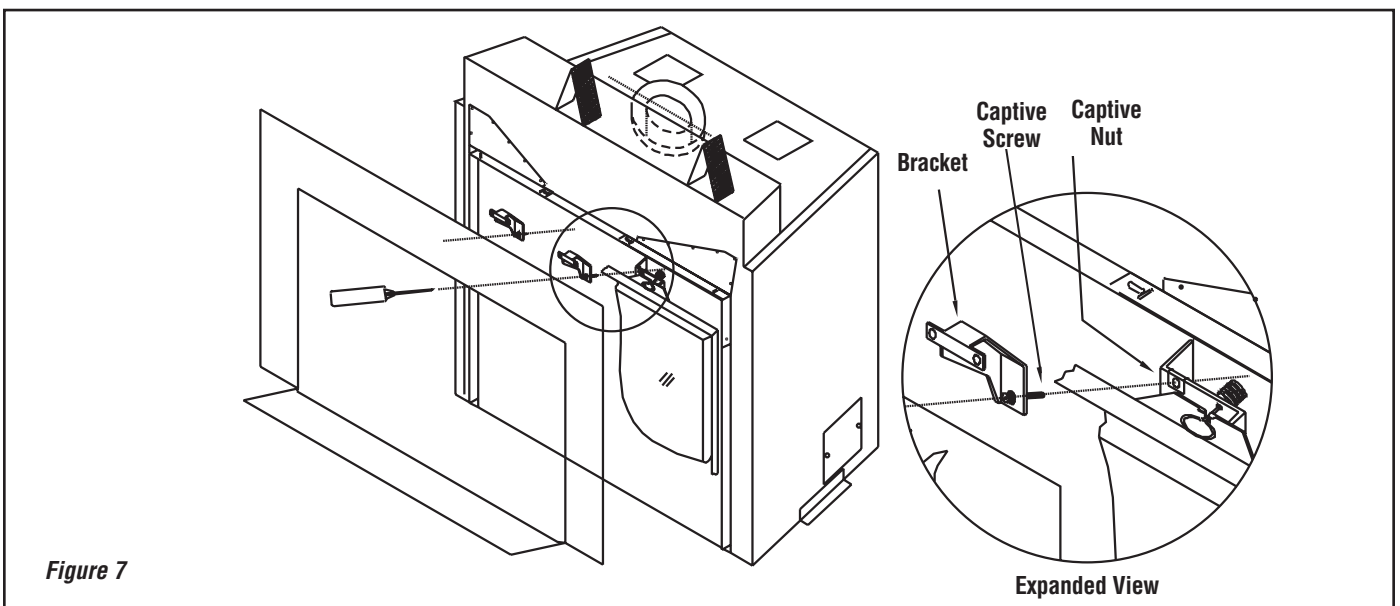


Figure 7

Lennox Hearth Products reserves the right to make changes at any time, without notice, in design, materials, specifications, prices and also to discontinue colors, styles and products. Consult your local distributor for fireplace code information.