



**LENNOX**  
HEARTH PRODUCTS

LENNOX HEARTH PRODUCTS  
KITS AND ACCESSORIES

P/N 750,101M  
REV. B 03/2008

**SCREEN PANEL KITS**

**INSTALLATION INSTRUCTIONS FOR SCREEN PANEL KITS FOR USE WITH  
MERIT™, MERIT PLUS™ SERIES GAS FIREPLACES**

KIT CONTENTS:	TOOLS REQUIRED:
1 ea. Screen Panel 1 ea. Instruction Sheet	None

*Note - The top flange of the screen panel does not go over the top of the front glass enclosure panel; it sits approximately level with the top of the front glass enclosure panel, as shown in Figure 2.*

**GENERAL INFORMATION**

These optional decorative freestanding firescreen panels are designed to enhance the beauty of the fireplace and to provide some protection from any accidental contact with the hot glass surface. See **Table 1** for kit applications.

**INSTALLATION INSTRUCTIONS**

**Step 1.** Turn off the fireplace and allow it to cool before proceeding.

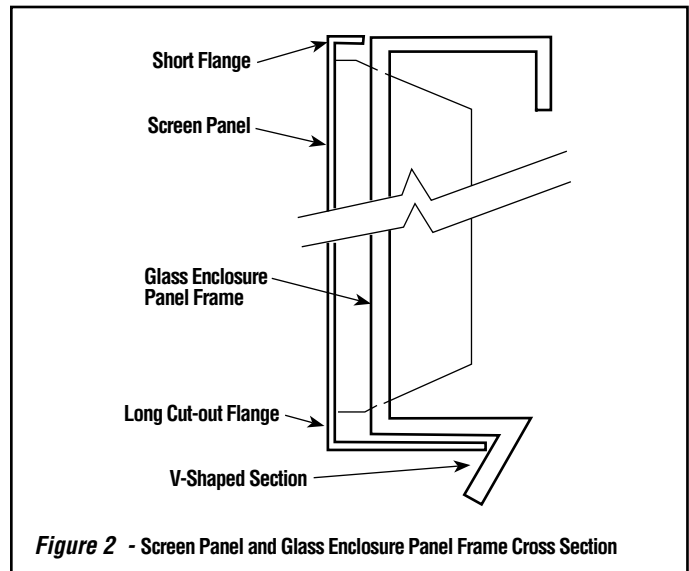
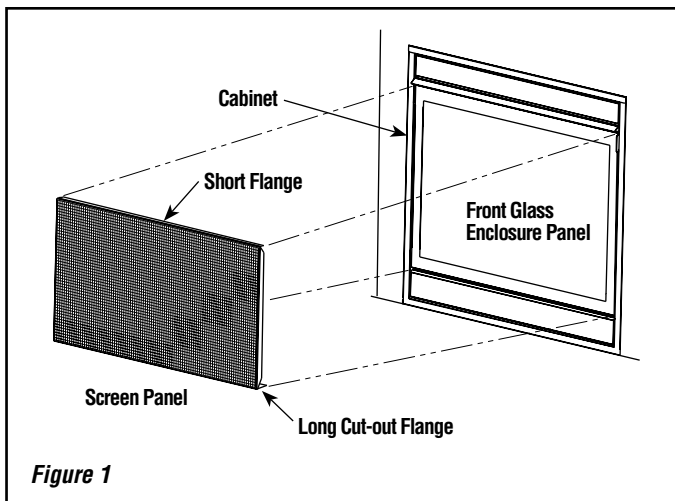
**Step 2.** Center the screen panel over the front glass enclosure panel with the screen's long cut-out flange along the bottom as shown in **Figure 1**.

**Step 3.** Insert the long cut-out flange into the v-shaped section of the front glass enclosure panel as shown in **Figure 2**.

**Step 4.** Press the remaining portion of the screen panel onto the front glass enclosure panel, feeding the tapered press-fitting side flanges of the screen panel between the glass enclosure panel and the fireplace cabinet. If necessary, slightly bend the side flanges of the screen panel inward for a tighter fit.

SCREEN PANEL KITS		
Cat. No.	Model No.	Models Where Used
98L04	HG33	MDT3329, MDR3328, MPDT3328, MPDR3328, LMDVT-3328, LMDVR-3328
26M48	HG35M	MPD3530, MPD35ST, MPD35PF, MPB35ST, LMDV-3530, SSDV-3530, SSBV-3530
26M49	HG40M	MPD4035, LMDV-4035, SSDV-4035, SSDV-4035
26M50	HG45M	MPD4540
88L52	HGE35	EDV3530
96K32	HG40	EDV4035, EDVST/PF/CL/CR, EBP/CL/CR, EBBAY
96K33	HG45	EDV4540
98K74	HG24	EDVPF/CL/CR, EBP/CL/CR, EBBAY
80L44	SPK-6/60	SSDVST/PF, CDST/PF (40")
80L46	SPKE-60	SSDVST/PF, (24")
H7018	HG22M	MPD35PF, (22")

*Table 1*



NOTE: DIAGRAMS & ILLUSTRATIONS NOT TO SCALE.

Lennox Hearth Products reserves the right to make changes at any time, without notice, in design, materials, specifications, prices and the discontinuance of colors, styles and products. Consult your local distributor for fireplace code information.