



HEARTH PRODUCTS

CARE AND OPERATION INSTRUCTIONS

Direct-Vent
SEREFINA™ SERIES

ELITE™ SERIES

P/N 775,148M REV. D 03/2010



OTL Report No. 116-S-08-5

Ce manuel d'installation est disponible en français, simplement en faire la demande. Numéro de la pièce 775,148CF.

MODELS

CI1500DVF

CI2500DVF

WARNING AVERTISSEMENT

**HOT GLASS WILL
CAUSE BURNS.**

**DO NOT TOUCH GLASS
UNTIL COOLED.**

**NEVER ALLOW CHILDREN TO
TOUCH GLASS.**



**UNE SURFACE VITRÉE CHAUDE PEUT
CAUSER DES BRÛLURES.**

**LAISSER REFROIDIR LA SURFACE
VITRÉE AVANT D'Y TOUCHER.**

**NE PERMETTEZ JAMAIS À UN ENFANT
DE TOUCHER LA SURFACE VITRÉE.**

WARNING: If the information in these instructions is not followed exactly, a fire or explosion may result causing property damage, personal injury or death.

- Do not store or use gasoline or other flammable vapors and liquids in the vicinity of this or any other appliance.
- **WHAT TO DO IF YOU SMELL GAS**
 - Do not try to light any appliance.
 - Do not touch any electrical switch; do not use any phone in your building.
 - Immediately call your gas supplier from a neighbor's phone. Follow the gas supplier's instructions.
 - If you cannot reach your gas supplier, call the fire department.
- Installation and service must be performed by a qualified installer, service agency or the gas supplier.

INSTALLER: Leave this manual with the appliance.
CONSUMER: Retain this manual for future reference.

INSTALLATEUR: Laissez cette notice avec l'appareil.
CONSOMMATEUR: Conservez cette notice pour consultation ultérieure.

AVERTISSEMENT: Assurez-vous de bien suivre les instructions données dans cette notice pour réduire au minimum le risque d'incendie ou d'explosion ou pour éviter tout dommage matériel, toute blessure ou la mort.

- Ne pas entreposer ni utiliser d'essence ni d'autres vapeurs ou liquides inflammables dans le voisinage de cet appareil ou de tout autre appareil.
- **QUE FAIRE SI VOUS SENTEZ UNE ODEUR DE GAZ:**
 - Ne pas tenter d'allumer d'appareil.
 - Ne touchez à aucun interrupteur. Ne pas vous servir des téléphones se trouvant dans le bâtiment où vous trouvez.
 - Appelez immédiatement votre fournisseur de gaz depuis un voisin. Suivez les instructions du fournisseur.
 - Si vous ne pouvez rejoindre le fournisseur de gaz, appelez le service des incendies.
- L'installation et l'entretien doivent être assurés par un installateur ou un service d'entretien qualifié ou par le fournisseur de gaz.

CONGRATULATIONS!

When you purchased your new gas stove, you joined the ranks of thousands of individuals whose answer to their home heating needs reflects their concern for aesthetics, efficiency and our environment. We extend our continued support to help you achieve the maximum benefit and enjoyment available from your new gas stove.

Thank you for selecting a Lennox Hearth Products gas stove as the answer to your home heating needs.

Sincerely,
All of us at Lennox Hearth Products

TABLE OF CONTENTS

Using the Manual	Page 2
Introduction	Page 2
General Information	Page 2
Safety and Warning Information	Page 3
Variable Flame Adjustment.....	Page 5
Burn-In Period	Page 5
Attaching Safety in Operation Warnings	Page 6
Maintenance.....	Page 7
Operation/Care of Your Appliance	Page 8
Gas Controls and Compartment Access.....	Page 8
Front Glass Enclosure Panel, Removal and Installation.....	Page 9
Burner Adjustments	Page 10
Flame Appearance and Sooting.....	Page 10
Adjustment Rod	Page 10
Log and Ember Placement	Page 12
Millivolt Appliance Checkout	Page 14
Small Area Paint Touch-up.....	Page 14
Wiring Diagrams	Page 15
Accessory Components	Page 16
Lighting Instructions – Millivolt	Page 18
Maintenance Schedule	Page 20
Troubleshooting Guide – Millivolt.....	Page 21
Replacement Parts List	Page 22
Optional Warming Shelves	Page 25
Product Reference Information.....	Page 26

This manual is part of a set of two supporting this product. Refer to manual 775,148M for Installation Instructions.

USING THIS MANUAL

Please read and carefully follow all of the instructions found in this manual. Please pay special attention to the safety instructions provided in this manual.

PRODUCT IS SUBJECT TO CHANGE WITHOUT NOTICE

INTRODUCTION

The stove models covered in this manual are Direct-Vent sealed combustion vented gas stove heaters designed for residential application. Direct-Vent appliances operate with the combustion chamber isolated from the inside atmosphere. All air for combustion is brought in from the outside and exhaust gases are vented through the same direct-vent, vent system.

These millivolt appliances are designed to operate on either natural or propane gas. A millivolt gas control valve with piezo ignition system provides safe, efficient operation. External electrical power is required to operate the optional electrically powered components if installed.

These appliances comply with National Safety Standards and are tested and listed by OMNI-Test Laboratories Inc.; Beaverton, Oregon (Report No. 116-S-08-05) to ANSI Z21.88-2002 (in Canada, CSA-2.33-2002), and CAN/CGA-2.17-M91 in both USA and Canada, as vented gas heaters.

Installation must conform to local codes. In the absence of local codes, installation must comply with the current National Fuel Gas Code, ANSI Z223.1 (NFPA 54). (In Canada, the current CAN/CSA-B149.1 installation code.)

Electrical wiring must comply with local codes. In the absence of local codes, installation must be in accordance with the National Electrical Code, NFPA 70 - (latest edition). (In Canada, the current CSA C22.1 Canadian Electric Code.)

GENERAL INFORMATION

Note: Installation and repair should be performed by a qualified service person. The appliance should be inspected annually by a qualified professional service technician. More frequent inspections and cleanings may be required due to excessive lint from carpeting, bedding material, etc. It is imperative that the control compartment, burners and circulating air passage ways of the appliance be kept clean.

S'assurer que le brûleur et le compartiment des commandes sont propres. Voir les instructions d'installation et d'utilisation qui accompagnent l'appareil.

Provide adequate clearances around air openings and adequate accessibility clearance for service and proper operation.

Never obstruct the front openings of the appliance.

IMPORTANT SAFETY AND WARNING INFORMATION

WARNING

Young children should be carefully supervised when they are in the same room as the appliance. Toddlers, young children and others may be susceptible to accidental contact burns. A physical barrier is recommended if there are at risk individuals in the house. To restrict access to a fireplace or stove, install an adjustable safety gate to keep toddlers, young children and other at risk individuals out of the room and away from hot surfaces.

AVERTISSEMENT

Les jeunes enfants devraient être surveillés étroitement lorsqu'ils se trouvent dans la même pièce que l'appareil. Les tout petits, les jeunes enfants ou les adultes peuvent subir des brûlures s'ils viennent en contact avec la surface chaude. Il est recommandé d'installer une barrière physique si des personnes à risques habitent la maison. Pour empêcher l'accès à un foyer ou à un poêle, installez une barrière de sécurité; cette mesure empêchera les tout petits, les jeunes enfants et toute autre personne à risque d'avoir accès à la pièce et aux surfaces chaudes.

WARNING

Improper installation, adjustment, alteration, service or maintenance can cause injury or property damage. Refer to this manual. For assistance or additional information consult a qualified installer, service agency or the gas supplier.

WARNING

Failure to comply with these installation instructions will result in an improperly installed and operating appliance, voiding its warranty. Any change to this appliance and/or its operating controls is dangerous.

WARNING

Clothing or other flammable material should not be placed on or near the appliance.

AVERTISSEMENT

On ne devrait pas placer de vêtements ni d'autres matières inflammables sur l'appareil ni à proximité.

WARNING

Any safety screen or guard removed for servicing the appliance must be replaced prior to operating the appliance.

AVERTISSEMENT

Tout écran ou protecteur retiré pour permettre l'entretien de l'appareil doit être remis en place avant de mettre l'appareil en marche.

WARNING

Improper installation or use of this appliance can cause serious injury or death from fire, burns, explosion or carbon monoxide poisoning.

WARNING

Children and adults should be alerted to the hazards of high surface temperature and should stay away to avoid burns or clothing ignition.

AVERTISSEMENT

Les enfants et les adultes devraient être informés des dangers que posent les températures de surface élevées et se tenir à distance afin d'éviter des brûlures ou que leurs vêtements ne s'enflamment.

WARNING

DO NOT ATTEMPT TO ALTER OR MODIFY THE CONSTRUCTION OF THE APPLIANCE OR ITS COMPONENTS. ANY MODIFICATION OR ALTERATION MAY VOID THE WARRANTY, CERTIFICATION AND LISTINGS OF THIS UNIT.

- ◆ **FOR YOUR SAFETY** do not install or operate this appliance without first reading and understanding this manual. Any installation or operation of the appliance deviating from that which is stated in this manual WILL void the warranty and may be hazardous.
- ◆ **INSTALLATION AND REPAIR SHOULD ONLY BE DONE BY A QUALIFIED SERVICE TECHNICIAN. DO NOT ATTEMPT TO SERVICE THE APPLIANCE YOURSELF.**
- ◆ Do not make any make-shift compromises during installation. Any modification or alteration may result in damage to the appliance or dwelling and will void the warranty, certification and listings of this unit.
- ◆ Failure to use manufacturer provided parts, variations in techniques and construction materials or practices other than those described in this manual may create a fire hazard and void the limited warranty.
- ◆ This gas appliance must be equipped for the proper fuel type and altitude at which it will be operated. Any operation outside the parameters outlined in this manual may result in a hazardous condition and will void the warranty. Please carefully read the sections pertaining to these subjects and/or be sure your appliance is properly equipped.
- ◆ Never use solid fuels such as wood, paper, cardboard, coal, or any flammable liquids, etc., in this appliance.
- ◆ Any grill, panel, or glass removed for service **MUST** be replaced prior to operating the appliance. Do not operate appliance with the glass front removed, cracked or broken.
- ◆ Gold and nickel plated surfaces must be cleaned with glass cleaner and a clean soft cloth before firing the first time or fingerprints will remain permanently. **NEVER** use brass polish to clean gold or nickel, this will remove the plating!!!
- ◆ When opening the lower door on the face while the appliance is burning, pull at the far left or far right vent openings, because the door is hot during operation.
- ◆ LHP, its employees, or any of its representatives assume no responsibility for any damages caused by an inoperable, inadequate, or unsafe condition as a result of any improper operation, service or installation procedures, whether direct or indirect.
- ◆ Due to high temperatures, the appliance should be located out of traffic and away from furniture and draperies.
- ◆ En raison des températures élevées, l'appareil devrait être installé dans un endroit où il y a peu de circulation et loin du mobilier et des tentures.
- ◆ Provide adequate clearances around air openings and adequate accessibility clearance for service and proper operation. Never obstruct the front openings of the appliance.
- ◆ These appliances are designed to operate on natural or propane gas only. The use of other fuels or combination of fuels will degrade the performance of this system and may be dangerous.
- ◆ These appliances are designed as supplemental heaters. Therefore, it is advisable to have an alternate primary heat source when installed in a dwelling.
- ◆ These appliances must not be connected to a chimney or flue serving a separate solid fuel burning appliance.
- ◆ These fireplaces are vented gas appliances. Do not burn wood or other material in these appliances.
- ◆ This appliance is only for use with the type of gas indicated on rating plate. This appliance is not convertible for use with other gases, unless a certified kit is used.
- ◆ Cet appareil doit être utilisé uniquement avec les types de gaz indiqués sur la plaque signalétique. Ne pas l'utiliser avec d'autres gaz sauf si un kit de conversion certifié est installé.
- ◆ Hot while in operation. Do not touch. Severe Burns may result. Keep children, clothing furniture, gasoline and other liquids having flammable vapors away.
- ◆ L'appareil est chaud lorsqu'il fonctionne. Ne pas toucher l'appareil. Risque de brûlures graves. Surveiller les enfants. Garder les vêtements, les meubles, l'essence ou autres liquides produisant des vapeurs inflammables loin de l'appareil.
- ◆ This appliance may be installed in an aftermarket, permanently located, manufactured home (USA only) or mobile home, where not prohibited by local codes.
- ◆ Cet appareil peut être installé dans une maison préfabriquée (mobile) déjà installée à demeure si les règlements locaux le permettent.
- ◆ Ensure clearances are in accordance with local installation codes and the requirements of the gas supplier.
- ◆ Dégagement conforme aux codes d'installation locaux et aux exigences du fournisseur de gaz.
- ◆ Installation and repair should be done by a qualified service person. The appliance should be inspected before use and at least annually by a professional service person. More frequent cleaning may be required due to excessive lint from carpeting, bedding material, etcetera. It is imperative that control compartments, burners and circulating air passageways of the appliance be kept clean.
- ◆ L'installation et la réparation devrait être confiées à un technicien qualifié. L'appareil devrait faire l'objet d'une inspection par un technicien professionnel avant d'être utilisé et au moins une fois l'an par la suite. Des nettoyages plus fréquents peuvent être nécessaires si les tapis, la literie, et cetera produisent une quantité importante de poussière. Il est essentiel que les compartiments abritant les commandes, les brûleurs et les conduits de circulation d'air de l'appareil soient tenus propres.
- ◆ Do not use these appliances if any part has been under water. Immediately call a qualified, professional service technician to inspect the appliance and to replace any parts of the control system and any gas control which have been under water.
- ◆ Ne pas utiliser cet appareil s'il a été plongé, même partiellement, dans l'eau. Appeler un technicien qualifié pour inspecter l'appareil et remplacer toute partie du système de commande et toute commande qui a été plongée dans l'eau.
- ◆ Only trim kit(s) supplied by the manufacturer shall be used in the installation of this appliance.
- ◆ Seules les trousse de garniture fournies par le fabricant doivent être utilisées pour l'installation de cet appareil.
- ◆ **INSTALLER: THESE INSTRUCTIONS ARE TO REMAIN WITH THE HOME OWNER!**

Carbon Monoxide Poisoning: Early signs of carbon monoxide poisoning are similar to the flu with headaches, dizziness and/or nausea. If you have these signs, obtain fresh air immediately. Have the appliance serviced by a qualified technician as it may not be operating correctly. Some people are more affected by carbon monoxide than others. These include pregnant women, people with heart or lung disease or anemia, those under the influence of alcohol, and those at high altitudes.

Input of millivolt models is variable. These rates are shown in the following table:

Input (BTU/HR) Manually-Modulated Gas Valves (millivolt models)		
Models	Nat. Gas	Propane
CI1500DVF	17,500 to 28,000	20,500 to 27,000
CI2500DVF	25,500 to 38,500	26,500 to 34,500

Table 1

Table 2 shows the units' gas orifice size for the elevations indicated.

Burner Orifice Sizes Elevation 0-4500 feet (0-1372 meters)		
Model Series	Natural Gas drill size (inches)	Propane Gas drill size (inches)
CI1500DVF	#37 (.104") * , 24M10 •	1.5 mm (.061") * , 42M79 •
CI2500DVF	# (.121") * , H1073 •	#51 (.068") * , H1074 •

* Standard size installed at factory
• Part/Cat. Number

Table 2

Lighting Millivolt Appliances

To light millivolt appliances refer to the detailed lighting instructions found on **Page 18** (English) and **Page 19** (French). Millivolt appliance lighting instructions may also be found on the pull-out lighting instruction labels attached to the rear stove shield. Refer to **Figure 3** on **Page 8** for the location of the piezo igniter.

Millivolt appliances are fitted with a burner ON/OFF Rocker Switch, located at the right the rear stove shield as shown in **Figure 1**. Once the pilot is lit, the ON/OFF rocker switch will control the appliance ON/OFF operation. To operate: Toggle the switch between its ON and OFF positions.

VARIABLE FLAME HEIGHT ADJUSTMENT

All Millivolt appliances are equipped with a variable gas control valve. Flame height for these models may be adjusted through a range between fixed low and high settings by rotating the HI/LO knob on the valve (see **Figure 3**), alternately, while the appliance is in operation. Adjust the flame height as desired after lighting the appliance by rotating the variable adjustment control (HI/LO) knob located on the front of the valve.

BURN-IN PERIOD

During the first few burns of this appliance there will be some odor due to the "burn-in" of paints and lubricants (curing of the high temperature paint and burning off of lubricants used in the manufacturing process).

Depending on your use, the burn-in period may take a few hours or a few days. The dwelling should be well ventilated during these initial burns.



IMPORTANT

Keep your house well ventilated during the curing process. The odor and haze emitted by the curing process can be quite noticeable and may set off a smoke detector.

If the optional *Blower Kit* (see **Page 16** for ordering information) is installed, do not turn on a blower during the Burn-In period. Do not place anything on the stove surface until the paint is completely cured.

(Serefina™ Models with Black Paint) Do not attempt to repaint the stove until the paint is completely cured. If the surface later becomes stained or marred, it may be lightly sanded and touched up with spray paint (See *Small Area Paint Touch-Up*, **Page 14**). Paint is available at your local authorized Lennox Hearth Products dealer. Never attempt to paint a hot stove.

HOMEOWNER'S INSTRUCTIONS - ATTACHING SAFETY IN OPERATION WARNINGS

ATTACHING SAFETY IN OPERATION WARNINGS

Your fireplace has been furnished with safety instruction labels that are to be affixed to the operation and control point of the fireplace. A safety instruction label should be affixed to the wall switch plate where the fireplace is turned on and off (*See Figure A*) or wall thermostat (*See Figure B*) and if used on the remote control handheld transmitter (*Figure C*). The warnings should already have been put in place when the fireplace initial set-up was completed. If they are not affixed at these spots, locate the multi-lingual adhesive labels provided with these instructions and proceed as follows:

1. Locate the wall switch or wall thermostat that controls the fireplace (verify the switch operates the fireplace by turning it on and off). Clean the wall switch plate or wall thermostat thoroughly to remove any dust and oils. Affix the label to the surface of the plate of the wall switch that controls the fireplace (*Figure A*) or the wall thermostat (*Figure B*). Choose the language primarily spoken in the home.
2. If a remote control is used to control the fireplace, locate the transmitter and clean it thoroughly to remove any dust and oils. Affix the label to the surface of handheld transmitter (*Figure C*). Choose the language primarily spoken in the home.
3. If you are unable to locate the labels, please call Lennox Hearth Products or your nearest Lennox Hearth Products dealer to receive additional safety instruction labels free of charge.

Cat. No. H8024 Replacement Label Kit

LENNOX HEARTH PRODUCTS
1-800-9-LENNOX

Note: English is red text on clear label. French and Spanish are white text on black label.

APPOSITION DES MISES EN GARDE RELATIVES À LA SÉCURITÉ D'UTILISATION

Votre foyer a été livré avec des étiquettes de sécurité qui doivent être collées à côté des dispositifs de contrôle du foyer. Une étiquette de sécurité doit être collée sur la plaque de l'interrupteur contrôlant l'allumage du foyer (*voir Figure A*) ou sur le thermostat mural (*voir Figure B*) et, le cas échéant, sur le boîtier de la télécommande (*Figure C*). Les mises en garde auraient dû être collées au moment de l'installation initiale du foyer. Si ce n'est pas le cas, prenez les étiquettes adhésives multilingues fournies avec ces instructions et procédez comme suit:

1. Repérez l'interrupteur ou le thermostat mural qui contrôle le foyer (vérifiez que l'interrupteur contrôle le fonctionnement du foyer en le faisant basculer de Marche à Arrêt, et vice-versa). Nettoyez soigneusement la plaque murale de l'interrupteur ou le thermostat mural pour éliminer la poussière et les traces de graisse ou d'huile. Collez l'étiquette sur la surface de la plaque de l'interrupteur mural qui contrôle le foyer (*Figure A*) ou du thermostat mural (*Figure B*). Choisissez la langue qui est principalement parlée dans la résidence du propriétaire.
2. Si une télécommande est utilisée pour contrôler le foyer, nettoyez la soigneusement pour éliminer la poussière et les traces de graisse ou d'huile. Collez l'étiquette sur le boîtier de la télécommande (*Figure C*). Choisissez la langue qui est principalement parlée dans la résidence du propriétaire.
3. Si vous ne trouvez pas les étiquettes, veuillez appeler Lennox Hearth Products ou votre distributeur Lennox Hearth Products local pour recevoir gratuitement des étiquettes supplémentaires.

Étiquettes de remplacement, n° cat. H8024

LENNOX HEARTH PRODUCTS
1-800-9-LENNOX

Remarque : Le texte anglais est rouge sur un support transparent. Le texte français et espagnol est blanc sur un support noir.

COLOCACIÓN DE ADVERTENCIAS DE SEGURIDAD EN OPERACIÓN

Su chimenea incluye etiquetas de instrucciones de seguridad que deben colocarse en el punto de operación y control de la chimenea. Se debe colocar una etiqueta de instrucciones de seguridad en la placa del interruptor de pared desde el cual se enciende y se apaga la chimenea (*ver la Figura A*) o en el termostato de pared (*ver la Figura B*) y en el transmisor de control remoto (*Figura C*) si se usa. Las advertencias ya deben haberse colocado cuando se completó la instalación inicial de la chimenea. Si no están colocadas en estos lugares, encuentre las etiquetas adhesivas multilingües proporcionadas con estas instrucciones y prosiga de la siguiente manera:

1. Identifique el interruptor o el termostato de pared que controla la chimenea (verifique que el interruptor opera la chimenea encendiéndola y apagándola). Limpie bien la placa del interruptor o el termostato de pared para quitar el polvo y aceite. Pegue la etiqueta en la superficie de la placa del interruptor que controla la chimenea (*Figura A*) o en el termostato de pared (*Figura B*). Seleccione el idioma que más se habla en la casa.
2. Si se usa un control remoto para controlar la chimenea, encuentre el transmisor y límpielo bien para quitar el polvo y aceite. Pegue la etiqueta en la superficie del transmisor (*Figura C*). Seleccione el idioma que más se habla en la casa.
3. Si no puede encontrar las etiquetas, sírvase llamar a Lennox Hearth Products o al distribuidor de Lennox Hearth Products más cercano para recibir etiquetas de instrucciones de seguridad adicionales gratuitas.

Juego de etiquetas de repuesto - N° de cat. H8024

LENNOX HEARTH PRODUCTS
1-800-9-LENNOX

Nota: La etiqueta en inglés es transparente con texto rojo. Las etiquetas en francés y español son negras con texto blanco.

DIAGRAMMES DES ÉTIQUETTES DE SÉCURITÉ / DIAGRAMAS DE ETIQUETAS DE SEGURIDAD / SAFETY LABEL DIAGRAMS

⚠ AVERTISSEMENT

Un foyer chaud peut causer de graves brûlures
Ne laissez jamais un enfant toucher à la vitre ou à toutes autres parties du foyer

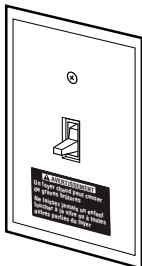


Figure A

⚠ ADVERTENCIA

La chimenea caliente causará quemaduras graves
Nunca permita que los niños toquen el vidrio ni otras partes de la chimenea



Figure B

⚠ WARNING

Hot Fireplace Will Cause Severe Burns
Never Allow Children to Touch Glass or other Fireplace Parts



Figure C

NOTE: DIAGRAMS AND ILLUSTRATIONS ARE NOT TO SCALE.

MAINTENANCE



WARNING

Turn off gas and electrical power to the fireplace and allow it to cool before cleaning or servicing the appliance.

CAUTION: Wear gloves and safety glasses for protection while doing required maintenance.

Verify proper operation after servicing.

S'assurer que l'appareil fonctionne adéquatement une fois l'entretien terminé.

The appliance and venting system should be thoroughly inspected before initial use and at least annually by a qualified service technician. However, more frequent periodic inspections and cleanings should be performed by the homeowner. Homeowner must contact a qualified service technician at once if any abnormal condition is observed.

Refer to the maintenance schedule on **Page 20** for maintenance tasks, procedures, periodicity and by whom they should be performed. Always verify proper operation of the appliance after servicing.

Always turn off gas to the pilot (millivolt appliances) before cleaning. Before re-lighting, refer to the lighting instructions in this manual. Instructions are also found on a pull-out panel located on the rear stove shield.

Keep lower control compartment clean by vacuuming or brushing at least twice a year. More frequent cleaning may be required due to excessive lint from carpeting, bedding materials, etc. It is important that control compartments, burners and circulating air passageways of the appliance be kept clean.

Glass Cleaning

Note: Clean glass after first two weeks of operation (after Burn-In period is over).

The viewing glass should be cleaned periodically to remove any build-up caused from the following:

- During start-up, it is normal for condensation to form on the inside of the glass (this condensation and fog will usually disappear in a few minutes). This can cause lint, dust and other airborne particles to cling to the glass surface.
- Initial curing of the high temperature paint and burning off of lubricants used in the manufacturing process may result in a film on the glass.
- A white coating may form on the glass as a result of impurities and minerals in the fuel.

It is recommended that the glass be cleaned two or three times during each heating season, depending on the circumstances present.

Exterior glass may be cleaned with a non-ammonia based household cleaner and warm water as desired (a gas stove glass cleaner is recommended).



WARNING

Do not use abrasive cleaners. Never clean the glass when it is hot.



WARNING

Do not attempt to touch the front enclosure glass with your hands while the stove is in use.

Models with Porcelain Enamel Finish

Crazing of Porcelain Enamel: Porcelain enamel, when heated to high temperatures, is subject to crazing (a very fine and random network of hairline cracks on the surface of the porcelain). Crazing is a normal occurrence when enamel is exposed to high temperatures. Your enamel finish will not be harmed nor will the function of the stove be impaired.

Repairing Chips: If the enamel finish on your stove becomes chipped, it can be touched up using enamel touch-up paint. For ordering information, see **Page 17**.

Cleaning Enamel Surfaces: To remove build-up of dust, dirt or crud from the enamel surfaces, combine baking soda and a little water to make a cleaning paste. Use a soft rag to rub the surface with the mix until the stains are removed.



IMPORTANT

Ensure stove is completely cold prior to cleaning or using enamel touch up paint.

Tables 3 and 4 show the units' gas pressure requirements

Inlet Gas Supply Pressure (all models)		
Fuel #	Minimum	Maximum
Natural Gas	4.5" WC (1.12 kPa)	10.5" WC (2.61 kPa)
Propane	11.0" WC (2.73 kPa)	13.0" WC (3.23 kPa)

Table 3

Manifold Gas Supply Pressure (millivolt models)		
Fuel #	Low	High
Natural Gas	(Lo) 1.6" WC (.40 kPa)	(Hi) 3.5" WC (.87 kPa)
Propane	(Lo) 6.3" WC (1.57 kPa)	(Hi) 10.0" WC (2.49 kPa)

Table 4

Test gage connections are provided on the front of the millivolt gas control valve (identified IN for the inlet and OUT for the manifold side).

These appliances must be isolated from the gas supply piping system (by closing their individual manual shut-off valve) during any pressure testing of the gas supply piping system at test pressures equal to or less than 1/2 psig (3.5 kPa).

These appliances and their individual shut-off valves must be disconnected from the gas supply piping system during any pressure testing of that system at pressures in excess of 1/2 psig (3.5 kPa).

OPERATION AND CARE OF YOUR APPLIANCE

Appliance operation may be controlled through a remotely located optional wall thermostat or remote control.

In lieu of remote or remote wall thermostat operation, the appliance must be operated directly through the on/off rocker switch located on the upper right side of the rear shield. See **Figure 1**.

If your millivolt appliance is equipped with an optional wall thermostat kit or remote control kit and the pilot is lit, the appliance main burner may be turned on and off with the wall thermostat or remote control.

Always keep the appliance area clear and free from combustible materials, gasoline and other flammable liquids.

Remember, Millivolt appliances have a continuous burning pilot flame. Exercise caution when using products with combustible vapors.

GAS CONTROLS

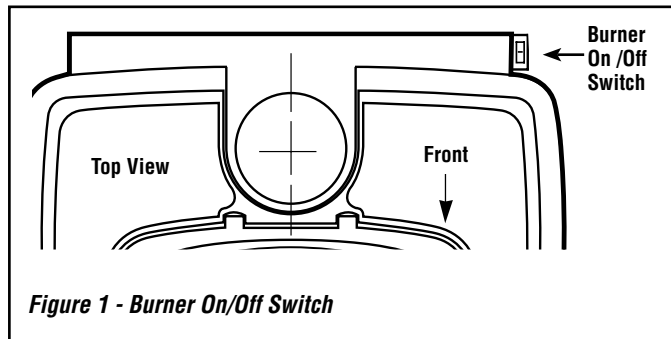


Figure 1 - Burner On/Off Switch

CONTROL COMPARTMENT ACCESS

The gas controls can be found behind the lower access door. To access, pull the door open (see **Figure 2**).

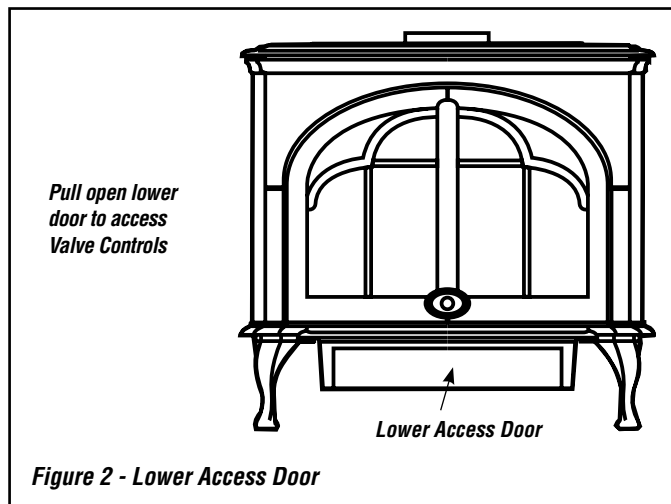


Figure 2 - Lower Access Door

Millivolt appliances will be fitted with the gas control valve shown in **Figure 3**. Familiarize yourself with the gas control valve that your appliance uses.

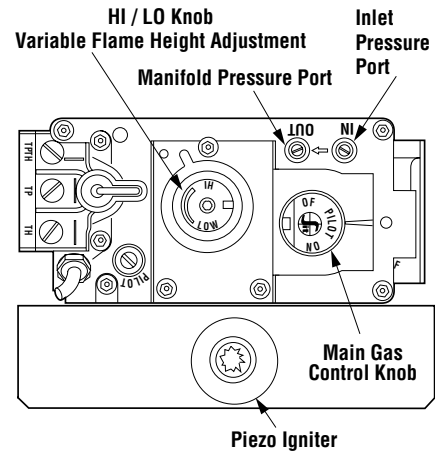


Figure 3 - SIT Millivolt Gas Valve Controls

FRONT GLASS ENCLOSURE PANEL, REMOVAL AND INSTALLATION

WARNING

- Do not attempt to substitute the materials used on these doors, or replace cracked or broken glass.
- Handle this glass with extreme care! Glass is susceptible to damage – Do not scratch or handle roughly while reinstalling the glass door frame.
- The glass door(s) of this appliance must only be replaced as a complete unit as provided by the manufacturer. Do not attempt to replace broken, cracked or chipped glass separately.
- Do not attempt to touch the front enclosure glass with your hands while the appliance is in use.

WARNING

Do not operate appliance with the glass front removed, cracked or broken.

AVERTISSEMENT

Ne pas utiliser l'appareil si le panneau frontal en verre n'est pas en place, est craqué ou brisé.

Only doors certified with the appliance shall be used.

Seules des portes certifiées pour cet appareil doivent être utilisées.

CAUTION: DO NOT abuse glass door by striking or slamming shut.

Do not remove glass door while the appliance is hot.

These are direct-vent appliances. They are designed to operate only with the front glass enclosure panel properly installed. Generally, the glass enclosure panel should not be removed except to gain access to the components within the firebox, and the appliance may only be operated without the front glass enclosure panel in place for very brief periods of time during initial appliance checkout and adjustment.

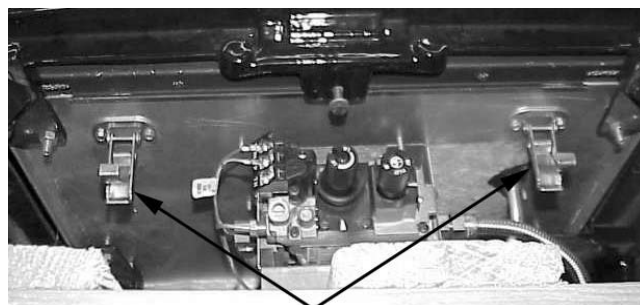
During this appliance checkout and adjustment period, a potential safety hazard exists - **EXERCISE EXTREME CAUTION** to prevent the occurrence of any burn injuries from the exposed flames or hot surfaces. Also note, that while the front glass enclosure panel is removed, the flame will appear to be smaller than normal.

1. Remove the trivet, then the cast iron stove top by carefully lifting them up and off and setting them aside (**READ CAUTION BELOW**).

CAUTION

The cast iron stove top is very heavy and may require a minimum of two people to lift; one person on each side (the C11500 series cast top weighs ~20 pounds and the C12500 series cast top weighs ~40 pounds).

2. Locate and open the 2 latches as shown in *Figure 4* (locate below the stove body).



Open both Latches as shown.

Figure 4

3. Reach under the bottom front of the front glass enclosure and pull it forward as shown in **Figure 5**.

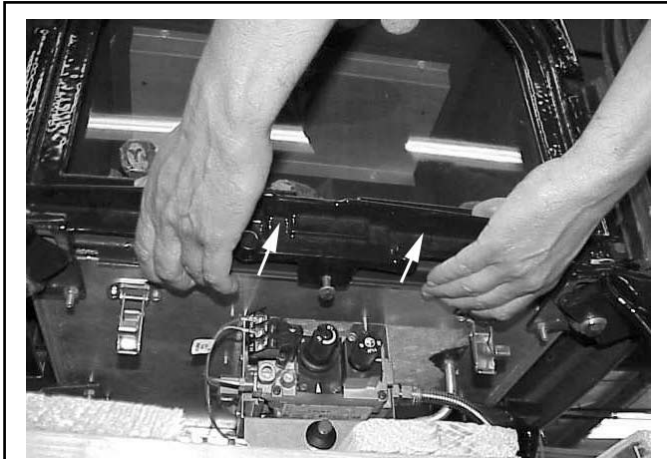


Figure 5

4. Lift glass assembly up and out and carefully set aside in a safe place (see **Figure 6**).



Figure 6

To install the front glass enclosure panel, proceed as follows:

1. Retrieve the glass door frame. Visually inspect the gasket on the backside of the panel. The gasket surface must be clean, free of irregularities and seated firmly.
2. With the stove top off, position the glass front enclosure panel into the front opening with the gasket facing the relief door (see **Figure 6**). Let the bottom of the door frame gently slide down, then hook the top flange of the glass frame over the top of the firebox frame.
3. Fasten the two latches located beneath the firebox bottom to the glass frame vee-flange. Close both the latches securely.
4. Reinstall the cast iron stove top (read "Caution," on this page).
5. Reinstall Trivet.

BURNER ADJUSTMENTS

The following paragraphs address burner adjustment concerns and procedures.

Flame Appearance and Sooting:

Generally most people prefer the warm glow of a yellow to orange flame. Appliances operated with air shutter openings that are too large will exhibit flames that are blue and transparent. These weak, blue and transparent flames are termed anemic. If the air shutter opening is too small sooting may develop.



Figure 7 - Burner Flame Appearance

Sooting is indicated by black puffs developing at the tips of very long orange flames. Sooting may result in black deposits forming on the logs, appliance inside surfaces and on exterior surfaces adjacent to the vent termination.

Sooting is caused by incomplete combustion in the flames and a lack of combustion air entering the air shutter opening. To achieve a warm yellow to orange flame with an orange body that does not soot, the shutter opening must be adjusted between these two extremes. No smoke or soot should be present. Reposition the logs to ensure they are in the proper pin locations if the flames impinge on any of them.

If the logs are properly positioned and sooting conditions exist, the air shutter opening on the main burner tube should be adjusted. Normally, the more offsets in the vent system, the greater the need for the air shutter to be opened further.

WARNING
Air shutter adjustment should only be performed by a qualified professional service technician.

WARNING
Ensure that the front glass panel is in place and sealed during adjustment.

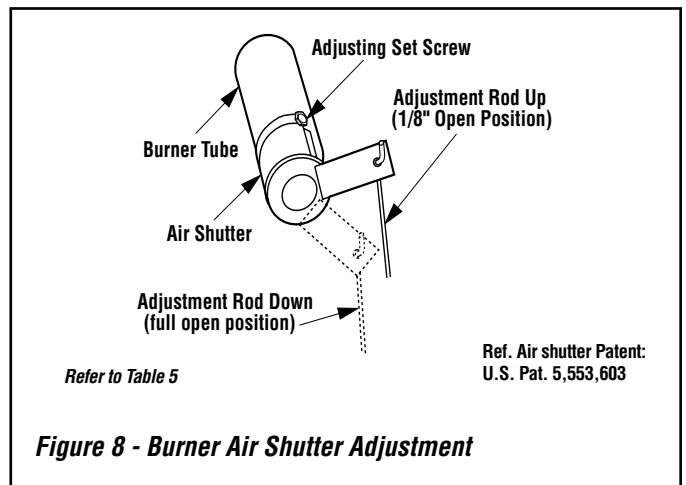
ADJUSTMENT ROD

WARNING
The adjustment rod and nearby appliance surfaces are hot. Exercise caution to avoid injury while adjusting flame appearance.

Initially, always position the air shutter to the factory setting as shown in **Table 5 and Figure 8** (adjustment rod is located in the lower control area). This can be done by moving the adjustment rod up or down accordingly. Allow the burner to operate for at least 15 minutes. Observe the flame continuously. If it appears weak or sooty as previously described, adjust the air shutter to a more open position until the desired flame appearance is achieved.

The adjustment rod and associated adjustable air shutter is patented technology. Flame adjustments can be made quickly and accurately to taste without the need of disassembling the appliance and waiting for 30 minutes after each adjustment.

Propane models may exhibit a flame pattern that may candle or appear stringy. If this is problematic or persists as the appliance is continually operated, adjust the air shutter open as described in the previous paragraphs. Operate the appliance for a period of time as the effect diminishes, ensuring that the appliance does not develop sooty flames.



Main Burner Factory Air Shutter Opening Setting - Inches (millimeter)		
Model	Natural Gas	Propane Gas
C11500DVF	5/16" (7.93 mm)	5/8" (15.9 mm)
C12500DVF	1/2" (12.7 mm)	5/8" (15.9 mm)

Table 5 Refer to Figure 8

Air Shutter Adjustment Guidelines:		
Amount of Primary Air	Flame Color	Air Shutter Adjustment
If air shutter is closed too far →	Flame will be yellow →	Air shutter gap should be increased
If air shutter is open too far →	Flame will be blue →	Air shutter gap should be decreased

Table 6

Air Shutter Adjustment Guidelines:

If the burner flame appearance differs greatly from what is shown on **Page 10** (see *Burner Flame Appearance*), some adjustment from the factory setting for the air shutter gap may be necessary (to compensate for variables in the installation and fuel such as, BTU value / composition, gas pressure, specific gravity of gas, altitude, etc.).

Table 6 is provided to aid you in achieving the correct air shutter adjustment for your installation.

When satisfied that the appliance operates properly, proceed to finish the installation. Leave the control knob in the ON position and the ON/OFF switch in the OFF position. Close the lower access door.

LOG AND EMBER PLACEMENT

Carefully install this seven-piece log set into the firebox as shown in these instructions. All logs should fit onto corresponding pins and/or log stoppers. This will ensure a proper flame and safe combustion.

WARNING

Logs get very hot and will remain hot up to one hour after gas supply is turned off. Handle only when logs are cool. Turn off all electricity to the appliance before you install logs.

WARNING

This appliance is not meant to burn wood. Any attempt to do so could cause irreparable damage to your appliance and prove hazardous to your safety.

WARNING

The size and position on the log set was engineered to give your appliance a safe, reliable and attractive flame pattern. Any attempt to use a different log set in the stove will void the Warranty and will result in incomplete combustion, sooting, and poor flame quality.

WARNING

If logs are not installed according to the directions shown here, flame impingement and improper combustion could occur and result in soot and/or excessive production of carbon monoxide (CO), a colorless, odorless, toxic gas.

1. Place the ember strip in front of the burner as shown in *Figure 9*. It should be positioned all the way back (toward the sub-floor front flange).

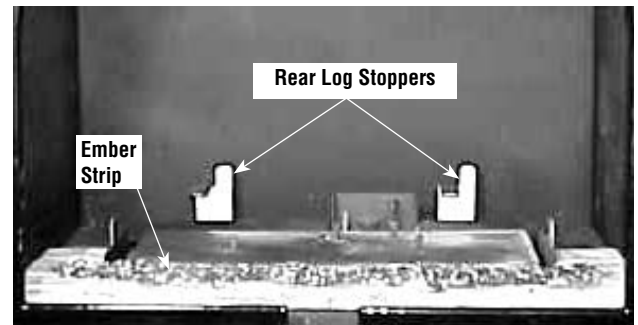


Figure 9

2. Place the largest log onto the rear log stoppers (see *Figure 9*). Ensure that the grooves on the bottom of the log aligns onto the corresponding places on the rear log stoppers. Push the log back so that it is against the back of the rear log stoppers (see *Figure 10*).



Figure 10

3. Place the left front log onto the corresponding burner pin and sub-floor left tab as shown in *Figure 11*.

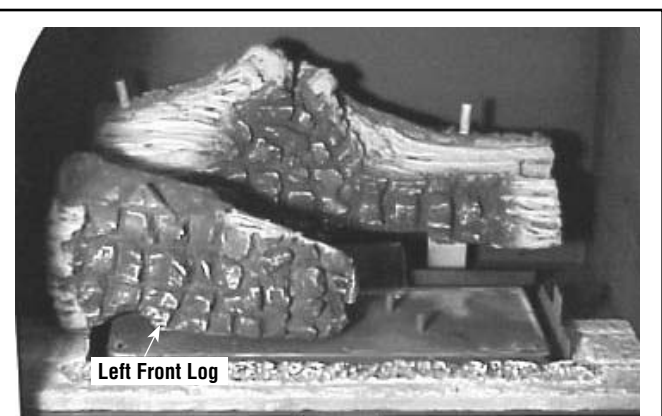
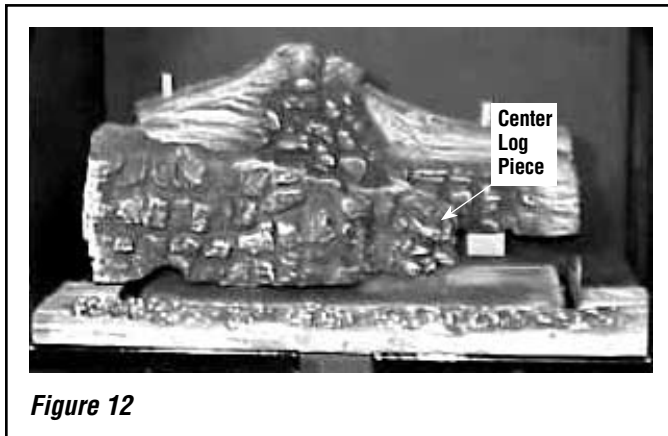
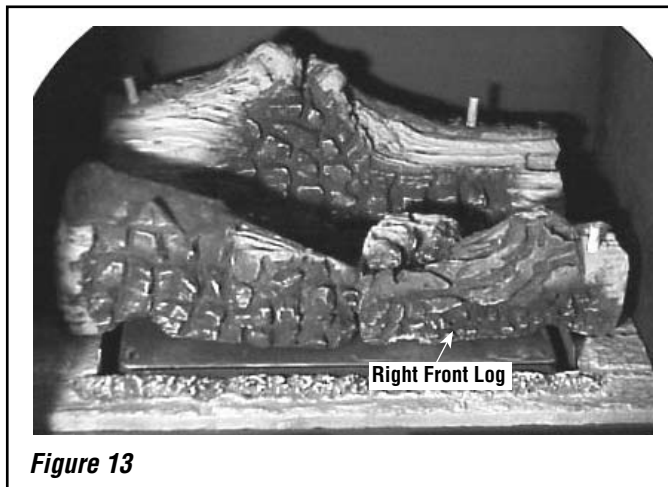


Figure 11

4. Place the center log over the corresponding pins next to the front left log as shown in **Figure 12**.



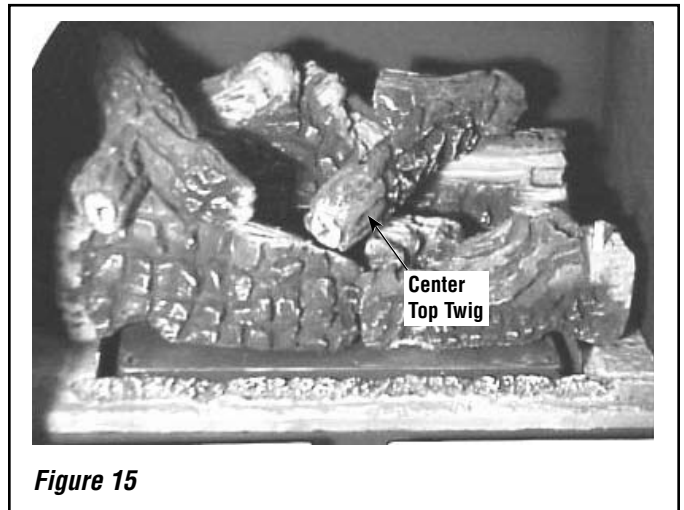
5. Install the right front log onto the corresponding burner pin and sub-floor right tab as shown in **Figure 13**.



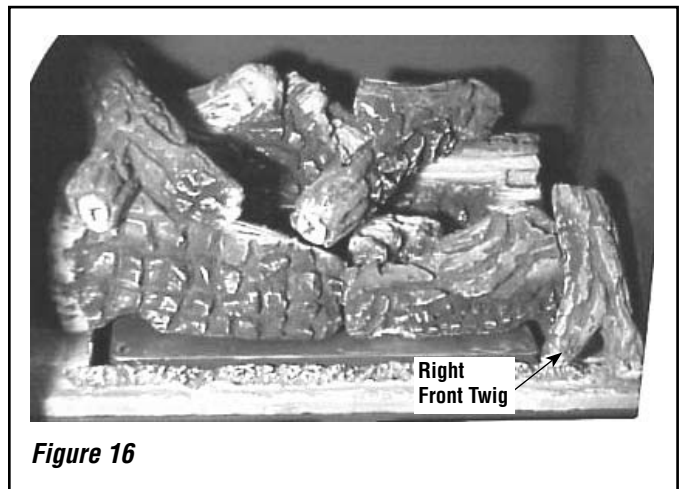
6. Install the left top twig onto the corresponding pin on the rear log and align it with the indentation on the front left log as shown in **Figure 14**.



7. Install the center top twig onto the corresponding pin on the rear log and align it with the indentation on front left log as shown in **Figure 15**.



8. Install the front right twig onto the corresponding pin on the right front log. Align the twig with the indentation on the front right log as shown in **Figure 16**.

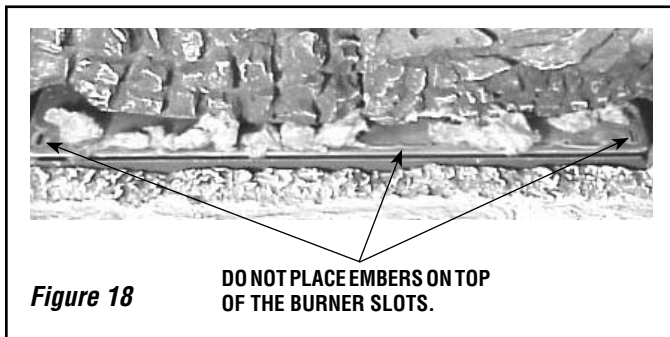
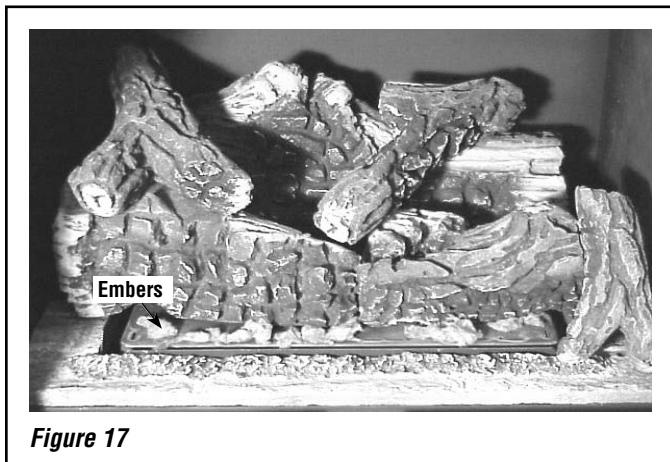


9. Place the glowing embers on the burner as shown in **Figures 17 and 18**.

One package of ember material has been included with this log set. You will not need to use the entire bag.

IMPORTANT: The quantity and placement of the ember material can affect stove performance therefore it is very important that it be placed as shown in **Figures 17 and 18**.

- Unpackage and divide the fine ember material (mineral wool) into dime-sized fluffy pieces.
- Distribute the ember pieces over the top of the front burner ports. Avoid covering the slots and filling the area in front of the forward logs (see **Figures 17 and 18**).

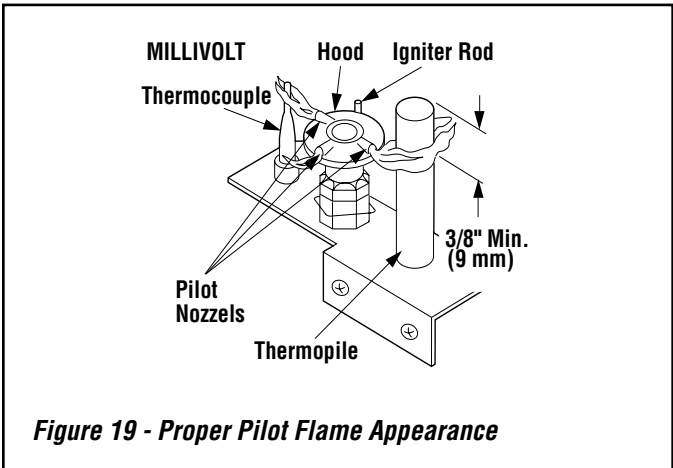


SIT MILLIVOLT APPLIANCE CHECKOUT

The pilot flame should be steady, not lifting or floating. Flame should be blue in color with traces of orange at the outer edge. The top 3/8" (10 mm) at the pilot generator (thermopile) and the top 1/8" minimum (tip) of the quick drop out thermocouple should be engulfed in the pilot flame. The flame should project 1" (25 mm) beyond the hood at all three ports (**Figure 19**).

Replace logs if removed for pilot inspection.

To light the burner, rotate the gas valve control knob counterclockwise to the "ON" position then turn "ON" the on/off rocker switch.



With proper care and maintenance, your appliance will provide many years of enjoyment. If you should experience any problem, first refer to the troubleshooting guide in this manual. If problem persists, contact your Lennox Hearth Products Dealer.

SMALL AREA PAINT TOUCH-UP

SMALL AREA PAINT TOUCH-UP Models with Black Painted Finish

The stove body is painted with a quality high-temperature stove paint. Only use factory supplied Stove Paint for touch-ups (70K99).

Using one small piece of 320 grit sand paper and lightly sand the blemish so that the edges are "feathered" or smooth to the touch between the painted and bare surfaces. Do not let the sand paper gum up with paint, as this will cause scratches on the metal surface. If there are any scratches, use 600 grit sandpaper instead. Mask off surfaces you do not want painted. Paint lightly over the bare surface first as this will act as an under-coat. Then paint over a larger area in smooth even strokes to blend.

See **Burn-In Period** on **Page 5** for information on curing the paint.

SMALL AREA TOUCH-UP PAINT Models with Enamel Finish

If the enamel finish on your stove becomes chipped, it can be touched up using the enamel touch-up paint. Follow instructions on tube for applying. See **Page 17** for ordering information.

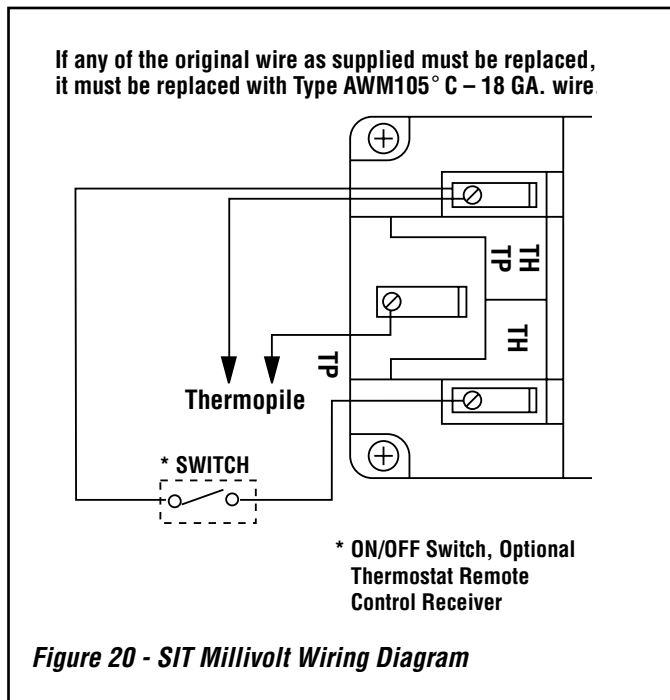
Note: When enamel is heated to high temperatures it is subject to crazing (a very fine and random network of hairline cracks on the surface of the porcelain). Crazing is a normal occurrence when enamel is exposed to high temperatures. Your enamel finish will not be harmed nor will the function of the stove be impaired.

WIRING DIAGRAMS

Wiring diagrams are provided here for reference purposes only. This information is also provided on schematics attached directly to the appliance on a pullout panel located within the control compartment.

CAUTION: Label all wires prior to disconnection when servicing controls. Wiring errors can cause improper and dangerous operation.

ATTENTION: Au moment de l'entretien des commandes, étiquetez tous les fils avant de les débrancher. Des erreurs de câblage peuvent entraîner un fonctionnement inadéquat et dangereux.



OPTIONAL WALL THERMOSTAT

If an optional wall thermostat is to be installed, install the thermostat per the manufacturers instructions (provided with the thermostat). Failure to follow manufacturers instructions could result in a malfunction. Pay special attention to the thermostat location requirements. If the location requirements are not adhered to the appliance, erratic operation or failure may occur.

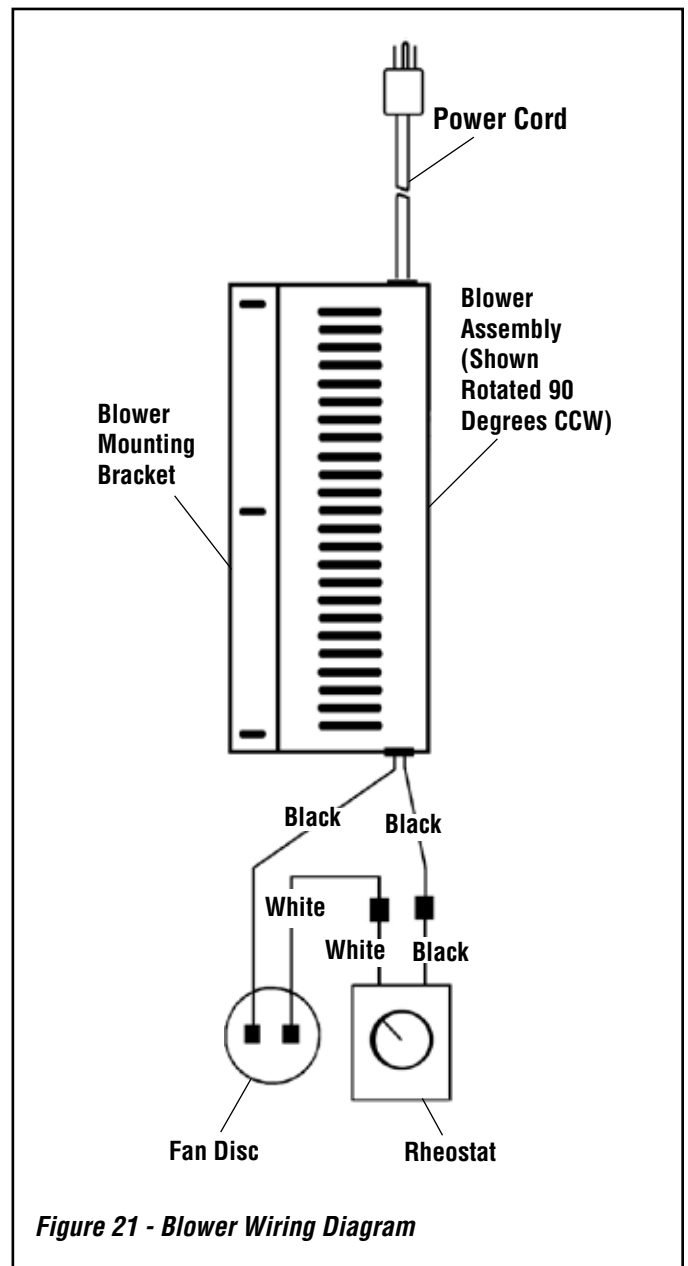
Do not mount the thermostat where it may be affected by:

- Radiant heat from this appliance, fireplaces, sun or other heat sources.
- Drafts or dead spots behind doors or in corners.
- Hot or cold air from ducts.

OPTIONAL ROOM AIR BLOWER

IMPORTANT: Ground supply wire must be connected to the green wire attached to the green ground screw. Failure to do so will result in a potential safety hazard. The appliance must be electrically grounded in accordance with local codes or, in the absence of local codes, the National Electrical Code, ANSI/NFPA 70 - latest edition. (In Canada, the current CSA C22-1 Canadian Electrical Code - latest edition.

WARNING: The power cord must be plugged directly into a properly grounded three-prong 120 Volt, 60 Hz wall receptacle. Do not cut or remove the grounding prong from this plug. Do not route power cord under or in front of appliance.



ACCESSORY COMPONENTS

Standard Remote Control System

The Model RCL (Standard) Remote Control System, features a simple On/Off control function for the stove. This model includes a hand-held transmitter, a remote receiver with wall-mount coverplate and all hardware required to install the unit. The remote receiver can be wall or hearth mounted.



Cat. No.	Model	Description
H0249	RCL	Remote Control System (Standard)

(ref. form # 750127M)

Deluxe Remote Control System

The Model RCL-T (Deluxe) Remote Control System has all of the features of the standard system along with an added easy to read LCD screen which presents access to many enhancements, including; battery power level indicator, timer, mode of operation, thermostatic display including room temperature in either metric or English units, flame indicator and clock. Fully programmable, the Model RCL-T allows for command over nearly all operational and temperature variables, using the hand held remote control transmitter.



Cat. No.	Model	Description
H0251	RCL-T	Remote Control System (Deluxe)

(ref. form # 750129M)

Flame Modulating Remote Control System

The Model RCL-MN and RCL-ML remote controls have on and off burner control, flame height adjustment, thermostat operation and a timer to shut unit down automatically. This system also provides blower on/off and speed control (if optional BK-CI Blower Kit is installed).



Cat. No.	Model	Description
H0301	RCL-MN	Natural Gas, Flame Modulating Remote Control
H0302	RCL-ML	LP/Propane Gas, Flame Modulating Remote Control

(ref. form # 750130M)

Wall Thermostat

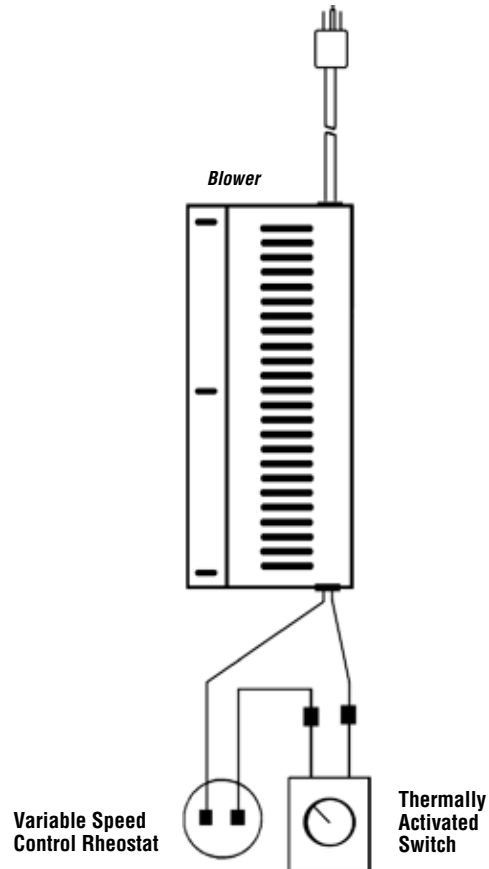
The wall thermostat kit provides temperature control for optimum comfort.



Cat. No.	Model	Description
H4635	DWTK	Wall Thermostat Kit, Digital

Room Air Blower Kit

The BK-CI blower provides constant velocity forced air circulation. It includes a variable speed control rheostat and a thermally activated fan disc.



Cat. No.	Model	Description
H0767	BK-CI	Blower Kit CI1500 and CI2500

(ref. form # 775146M)

ACCESSORY COMPONENTS CONTINUED

Touch-Up Paint Kit (painted models only)

Repair of minor scratches and discoloration of the appliance's painted surfaces may be accomplished with the use of these touch-up paint kits.

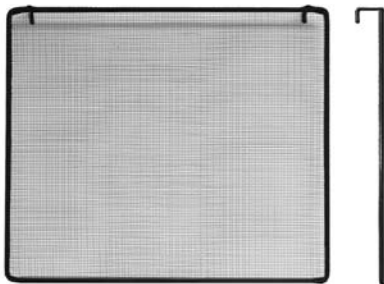


Touch-Up Kit - Painted Models		
Cat. No.	Model	Description
70K99	TSPK-B	Touch-Up Paint (Black) Kit

Touch-Up Kit - Enamel Models	
Cat. No.	Description
55M62	Paint, Touch-up for enamel, 1/2 oz - Hunter Green, 1 ea.
55M63	Paint, Touch-up for enamel, 1/2 oz - Ivory White, 1 ea.
55M61	Paint, Touch-up for enamel, 1/2 oz - Maj. Brown, 1 ea.
55M60	Paint, Touch-up for enamel, 1/2 oz - Mid. Blue, 1 ea.

Firescreen Kits

These firescreens can be installed on the glass enclosure panel to provide protection from the hot glass surface.



Flat Firescreen



Bubble Firescreen

Cat. No.	Model	Description	Where Used
H0768	FSF-C115	Flat Screen	C11500DVF
H0770	FSF-C125	Flat Screen	C12500DVF
H0769	FSB-C115	Bubble Screen	C11500DVF
H0771	FSB-C125	Bubble Screen	C12500DVF

(ref. form # 775152M)

Brickaded Liner Kits

The brickade liner kits include panels for the rear and side walls of the firebox. The panels have brick-like features in relief. These kits can be retrofitted into previously installed appliances.

Cat. No.	Model	Description
H0773	BLK-C115	Brick Liner Kit C11500DVF Series
H0774	BLK-C125	Brick Liner Kit C12500DVF Series

(ref. form # 775151M)



Warming Shelves

These attractive warming shelves are designed to be functional for placing food to stay warm. The shelves extend on both sides of the stove top and add an attractive accent. See **Page 25** for installation instructions.

Cat. No.	Model	Description
H0757	WS-C1150	Warming Shelves, C11500 Black
H0758	WS-C1152	Warming Shelves, C11502 Mid Blu
H0759	WS-C1154	Warming Shelves, C11504 Maj Bwn
H0760	WS-C1156	Warming Shelves, C11506 Hu Grn
H2159	WS-C1158-2	Warming Shelves, C11508-2 Ivory White
H0762	WS-C1250	Warming Shelves, C12500 Black
H0763	WS-C1252	Warming Shelves, C12502 Mid Blu
H0764	WS-C1254	Warming Shelves, C12504 Maj Bwn
H0765	WS-C1256	Warming Shelves, C12506 Hu Grn
H2158	WS-C1258-2	Warming Shelves, C12508-2 Ivory White

(ref. form # 775149M)

Side View of Warming Shelf



Top View of Warming Shelf



Full View Showing Warming Shelves Installed



NOTE: DIAGRAMS AND ILLUSTRATIONS ARE NOT TO SCALE.

LIGHTING INSTRUCTIONS – SIT MILLIVOLT GAS VALVE

FOR YOUR SAFETY READ BEFORE LIGHTING

WARNING: IF YOU DO NOT FOLLOW THESE INSTRUCTIONS EXACTLY, A FIRE OR EXPLOSION MAY RESULT CAUSING PROPERTY DAMAGE, PERSONAL INJURY OR LOSS OF LIFE.

A. This appliance has a pilot which must be lighted with a piezo igniter. When lighting the pilot, follow these instructions exactly.

B. BEFORE OPERATING smell all around the appliance area for gas. Be sure to smell next to the floor because some gas is heavier than air and will settle on the floor.

WHAT TO DO IF YOU SMELL GAS

- Extinguish any open flame.
- Open windows.
- Do not light any appliance.
- Do not touch any electrical switches.

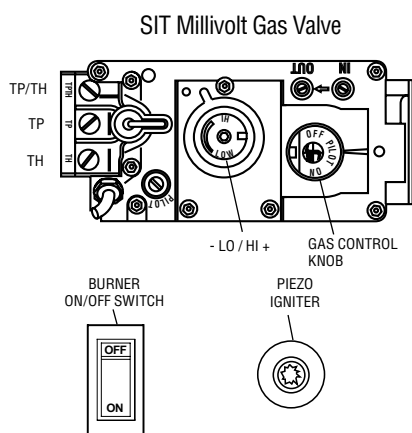
- Do not use any phone in your building.
- Immediately call your gas supplier from a neighbor's phone.
- If your gas supplier cannot be reached, call the fire department.

C. Use only your hand to push in or turn the gas control knob. Never use tools. If the knob will not push in or turn by hand, do not try to repair it, call a qualified service technician. Force or attempted repair may result in a fire or an explosion.

D. Do not use this appliance if any part has been under water. Immediately call a qualified service technician to inspect the appliance and to replace any part of the control system and any gas control which has been under water.

LIGHTING INSTRUCTIONS

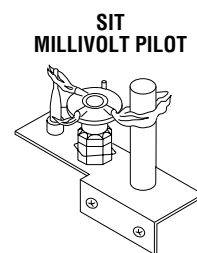
- 1. STOP!** Read the safety information above on this page.
- Access the lower control compartment.
- Turn remote wall switch to "OFF."
- Verify main line shut-off valve is open.
- Push in gas control knob slightly and turn clockwise to "OFF."



Note: Knob cannot be turned from "PILOT" to "OFF" unless the knob is pushed in slightly. Do not force.

- Wait five (5) minutes to clear out any gas. If you then smell gas, STOP! Follow "B" in the safety information above on this page. If you do not smell gas, go to the next step.
- Push in gas control knob slightly and turn counterclockwise to "PILOT."
- Push in control knob all the way and hold in. Immediately light the pilot by triggering the spark igniter (pushing the button) until pilot lights. Continue to hold the control knob in for about 1 1/2 minutes after the pilot is lit. Release knob and it will pop back up. Pilot should remain lit. If it goes out, repeat steps 5 through 8.

- If knob does not pop up when released, stop and immediately call your service technician or gas supplier.
- If pilot will not stay lit after several tries, turn the control knob to "OFF" and call your service technician or gas supplier.



- Turn gas control knob counterclockwise to "ON."
- Close lower control compartment.

TO TURN OFF GAS TO APPLIANCE

- Turn remote wall switch "OFF." The pilot will remain lit for normal service.
- For complete shutdown, turn remote wall switch to "OFF."
- Access the lower control compartment.
- Depress gas control knob slightly and turn clockwise to "OFF." Do not force.
- Close lower control compartment.

NOTE: DIAGRAMS AND ILLUSTRATIONS ARE NOT TO SCALE.


INSTRUCTIONS D'ALLUMAGE - VANNE GAZ MILLIVOLT SIT

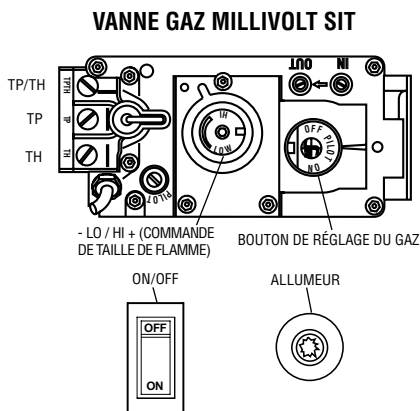
POUR VOTRE SÉCURITÉ, LISEZ CES INSTRUCTIONS AVANT L'ALLUMAGE

AVERTISSEMENT : SI VOUS NE SUIVEZ PAS CES INSTRUCTIONS À LA LETTRE, IL POURRAIT S'EN SUIVRE UN INCENDIE OU UNE EXPLOSION CAUSANT DES DOMMAGES MATÉRIELS, DES BLESSURES CORPORELLES OU MÊME DES PERTES DE VIE.


- A.** Cet appareil est muni d'une veilleuse qui doit être allumée avec un allumeur piézo-électrique. Lorsque vous allumez la veilleuse, suivre exactement ces instructions.
- B.** AVANT L'ALLUMAGE: Assurez-vous que vous ne détectez aucune odeur de gaz autour de l'appareil ainsi que près du sol; certains gaz, étant plus lourds que l'air, descendent au niveau du sol.
- VOICI CE QUE VOUS DEVEZ FAIRE SI VOUS DÉCELEZ UNE ODEUR DE GAZ:**
- Éteignez toute flamme visible.
 - Ouvrez les fenêtres.
 - N'allumez aucun appareil.
 - Ne touchez à aucun commutateur électrique.
 - Ne vous servez d'aucun téléphone dans votre édifice.
- Appelez immédiatement votre compagnie de gaz en utilisant le téléphone du voisin.
 - S'il vous est impossible de contacter votre compagnie de gaz, appelez le service des incendies.
- C.** N'utilisez que votre main pour manipuler le bouton de réglage du gaz. N'utilisez jamais d'outils. Si le bouton refuse de tourner ou de bouger, n'essayez pas de le réparer. Communiquez immédiatement avec un technicien de service qualifié. Toute tentative pour le forcer ou le réparer, risquerait de provoquer un incendie ou une explosion.
- D.** Ne vous servez pas de cet appareil si l'un de ses éléments a été immergé dans l'eau. Appelez immédiatement un technicien compétent pour faire inspecter l'appareil et remplacer toute pièce du système de réglage ou commande du gaz qui a été sous l'eau.

INSTRUCTIONS D'ALLUMAGE

1. **ARRÊTEZ!** Lisez les consignes de sécurité au verso de cette plaque.
2. Ouvrez le compartiment de contrôle du bas.
3. Tournez l'interrupteur mural à la position d'arrêt "OFF".
4. Assurez-vous que la soupape d'arrêt de la canalisation principale est ouverte.
5. Enfoncez légèrement le bouton de réglage du gaz et tournez-le dans le sens des aiguilles d'une montre  jusqu'à la position d'arrêt "OFF".




Remarque: Il est impossible de tourner le bouton de "PILOT" à "OFF" à moins qu'il ne soit légèrement enfoncé. Ne le forcez pas.

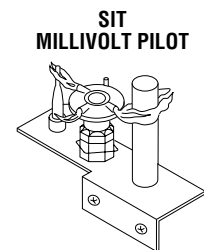
6. Attendez cinq (5) minutes pour l'évacuation du gaz. Si vous décelez une odeur de gaz, ARRÊTEZ ! Retournez au point "B" des consignes de sécurité au verso de cette plaque. Si vous ne remarquez aucune odeur de gaz, passez à l'étape suivante.
7. Enfoncez légèrement le bouton de réglage du gaz et tournez-le en sens inverse des aiguilles d'une montre jusqu'à la position de veilleuse  "PILOT".

8. Enfoncez le bouton de réglage jusqu'au fond et gardez-le enfoncé. Allumez immédiatement la veilleuse en déclenchant l'allume-gaz à étincelle (en poussant le bouton) jusqu'à ce que la veilleuse s'enflamme. Continuez de tenir le bouton de réglage enfoncé pendant environ 90 secondes après l'allumage de la veilleuse. Relâchez le bouton et il sortira subitement. La veilleuse devrait rester allumée. Si elle s'éteint, répétez les étapes 5 à 8 inclusivement.


- Si le bouton ne sort pas automatiquement après avoir été relâché, arrêtez immédiatement et téléphonez à votre technicien de service ou à votre fournisseur de gaz.

- Si la veilleuse refuse de rester allumée après plusieurs tentatives, tournez le bouton de réglage jusqu'à sa position d'arrêt "OFF" et téléphonez à votre technicien de service ou à votre fournisseur de gaz.

9. Tournez le bouton de réglage du gaz en sens inverse des aiguilles d'une montre  jusqu'à sa position de marche "ON".
10. Fermez le compartiment de contrôle du bas.
11. Au besoin, rebrancher l'appareil au courant électrique et remettre l'interrupteur du brûleur principal à la position "ON" ou régler le thermostat à la température désirée.
12. Si l'appareil ne fonctionne pas, suivre les instructions intitulées "Pour fermer le gaz qui alimente l'appareil" et appeler un technicien ou le fournisseur de gaz.



POUR FERMER LE GAZ QUI ALIMENTE L'APPAREIL

1. Tournez l'interrupteur mural à la position d'arrêt "OFF". La veilleuse restera allumée jusqu'au retour du service normal.
2. Pour une fermeture complète, tournez l'interrupteur mural à la position d'arrêt "OFF".
3. Ouvrez le compartiment de contrôle du bas.
4. Enfoncez légèrement le bouton de réglage du gaz et tournez-le dans le sens des aiguilles d'une montre  jusqu'à la position d'arrêt "OFF". Ne forcez pas le bouton.
5. Fermez le compartiment de contrôle du bas.

REMARQUE : LES SCHÉMAS ET LES ILLUSTRATIONS NE SONT PAS À L'ÉCHELLE

MAINTENANCE SCHEDULE

Annually (Before the onset of the Burning Season)

Maintenance Task	Accomplishing Person	Procedure
Inspecting/Cleaning Burner, Logs and Controls	Qualified Service Technician	Inspect valve and ensure it is properly operating. Check piping for leaks. Vacuum the control compartment, fireplace logs and burner area.
Check Flame Patterns and Flame Height	Qualified Service Technician	Refer to Figure 7 on Page 10 and verify the flame pattern and height displayed by the appliance conforms to the picture. Flames must not impinge on the logs. Ensure flames are steady (not lifting or floating).
Inspecting/Cleaning Pilot	Qualified Service Technician	Refer to Figure 19 (Page 14) . Remove any surface build-up on pilot and burner assembly. Wipe the pilot nozzles, igniter/flame rod and hood. Ensure the pilot flame engulfs the flame sensor as shown.
Checking Vent System	Qualified Service Technician	Inspect the vent system at the top and at the base (within the firebox) for signs of blockage or obstruction. Look for any signs of dislocation or deterioration of the vent components. Note: Excessive condensation can cause corrosion of caps, pipe and fittings (excessive condensation can be caused by long lateral runs, too many elbows and/or exterior portions of the system being exposed to cold weather). Also inspect wall straps or plumbers's tape to ensure it is secure and in place.
Appliance Checkout	Qualified Service Technician	Perform the appropriate appliance checkout procedure detailed in this manual.
Replacing Rockwool Ember Materials	Homeowner/Qualified Service Technician	Remove old ember materials and vacuum the rockwool placement area. Place new rockwool as described on Page 14 (see Figures 17 and 18) .

Periodically (After the Burning Season)

Maintenance Task	Accomplishing Person	Procedure
Cleaning Firebox Interior	Homeowner	Carefully remove logs, rockwool, volcanic stone and volcanic stone. Vacuum out interior of the firebox. Clean firebox walls and log grate. Replace logs, Rockwool and volcanic stone as detailed in this manual.
Check Flame Patterns and Flame Height	Homeowner	Refer to Figure 7 on Page 10 and verify the flame pattern and height displayed by the appliance conforms to the picture. Flames must not impinge on the logs.
Checking Vent System	Homeowner	Inspect the vent system at the top and at the base (within the firebox) for signs of blockage or obstruction. Look for any signs of dislocation of the vent components.
Cleaning Front Glass Enclosure Panel	Homeowner	Clean as necessary following the directions provided in this manual. DO NOT TOUCH OR ATTEMPT TO CLEAN GLASS WHILE HOT.

TROUBLESHOOTING THE Millivolt GAS CONTROL SYSTEM

Note: Before troubleshooting the gas control system, be sure external gas shut off valve (located at gas supply inlet) is in the “ON” position.

Important: Valve system troubleshooting should only be accomplished by a qualified service technician.

SYMPTOM	POSSIBLE CAUSES	CORRECTIVE ACTION
1. Spark igniter will not light pilot after repeated triggering of igniter button.	A. Defective igniter (no spark at electrode).	Check the gap between the electrode and pilot. It should be between 1/8” and 3/16.” If the gap is out of this range, adjust the gap or replace the pilot.
	B. Defective or misaligned electrode at pilot (spark at electrode).	Using a match, light pilot. If pilot lights, turn off pilot and trigger the igniter button again. If pilot lights, an improper gas mixture caused the bad lighting and a longer purge period is recommended. If pilot will not light – check gap at electrode and pilot – It should be between 1/8” and 3/16”. If the gap is out of this range, adjust the gap or replace the pilot. (Figure 19 on Page 14).
	C. Gas supply pressure errant.	Check inlet gas pressure. It should be within the limits as marked on the rating plate.
	D. Pilot orifice plugged.	Clean or replace pilot orifice.
2. Pilot will not stay lit after carefully following the lighting instructions.	A. Defective pilot generator (thermocouple).	Check pilot flame, it must impinge on thermocouple (Figure 19 on Page 14). Clean and/or adjust pilot for maximum flame impingement on thermocouple. Ensure that the connection between the valve and thermocouple are tight and secure.
3. Pilot burning, no gas to burner, Valve knob “ON,” Wall Switch “ON.”	A. Wall switch or wires defective.	Check wall switch and wires for proper connections. Jumper wire across terminals at wall switch, if burner comes on, replace defective wall switch. If okay, jumper wires across wall switch wires at valve, if burner comes on, wires are faulty or connections are bad.
	B. Thermopile may not be generating sufficient millivoltage.	Check thermopile with millivolt meter. Take reading at thermopile terminals of gas valve. Should read 325 millivolts minimum with optional wall switch “OFF.” Replace faulty thermopile if reading is below specified minimum.
	C. Plugged burner orifice.	Check burner orifice for stoppage and remove.
4. Frequent pilot/burner outage problem.	A. Pilot flame may be too low or blowing (high) causing the pilot/valve safety to drop out.	Clean and/or adjust pilot flame for maximum flame impingement on thermocouple (Figure 19 on Page 14).

REPLACEMENT PARTS LIST

Contact an Authorized Lennox Hearth Products dealer to obtain any of these parts. Never use substitute materials. Use of non-approved parts can result in poor performance and safety hazards.

WARNING

Failure to position the parts in accordance with these diagrams or failure to use only parts specifically approved with this appliance may result in property damage or personal injury.

AVERTISSEMENT

Risque de dommages ou de blessures si les pièces ne sont pas installées conformément à ces schémas et ou si des pièces autres que celles spécifiquement approuvées avec cet appareil sont utilisées.

Gas Controls

Item #	Cat. No.	Description	Where Used
1	H1657	Valve Assembly – Natural Gas, SIT	All
30	H2211	Gas Train Assembly, MV, Natural Gas (LP units will also require LB-102158A)	CI1500DVF Series
30	H2212	Gas Train Assembly, MV, Natural Gas (LP units will also require LB-102158B)	CI2500DVF Series
2	10K86	Piezo Igniter, Push Button (wire not included)	All
3	69L17	Pilot Assembly, Natural Gas	All
5	H3737	Pilot Shield	All
6	74L56	Pilot Tube	All
	H3697	RB Regulator (Hi/Lo)- Natural Gas, SIT (H1656) – Converts LP Valve to NG	All
	H3698	RB Regulator (Hi/Lo)- Propane Gas, SIT – Converts NG Valve to LP	All
7	74L57	Thermocouple	All
8	60J79	Thermopile (pilot generator)	All
	H3364	Tube, Gas Valve	All
	H1061	Wire Harness, Valve	All
15	74L58	Electrode and Cable	All

Miscellaneous Parts

4	55M91	Bracket, Corner, Black Painted, 1 ea.	CI1500DVF Series
4	66M03	Bracket, Corner, Black Painted, 1 ea.	CI2500DVF Series
9	42M72	Burner Assembly	CI1500DVF Series
10	42M73	Burner Assembly	CI2500DVF Series
	H3705	Conversion Kit, NG to LP (RB Reg., Pilot Orifice, Burner Orifice & Label)	CI1500DVF Series
	H3706	Conversion Kit, NG to LP (RB Reg., Pilot Orifice, Burner Orifice & Label)	CI2500DVF Series
	35M50	Gasket, Relief Door, CI1500	CI1500DVF Series
	35M51	Gasket, Relief Door, CI2500	CI2500DVF Series
11	93L32	Gas Line Connector, Flexible, With Shut-Off Valve, 1 ea.	All

Cast Body Components

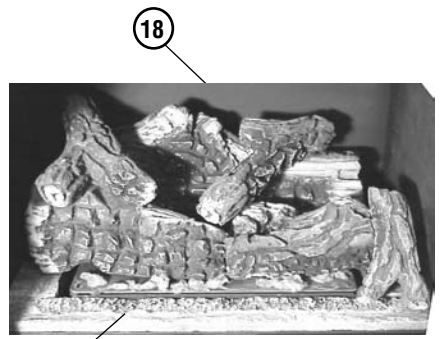
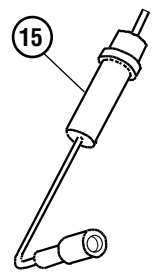
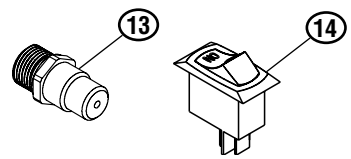
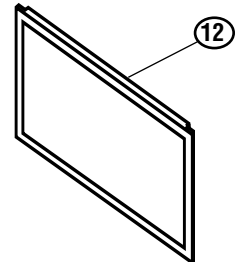
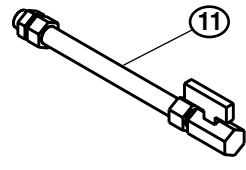
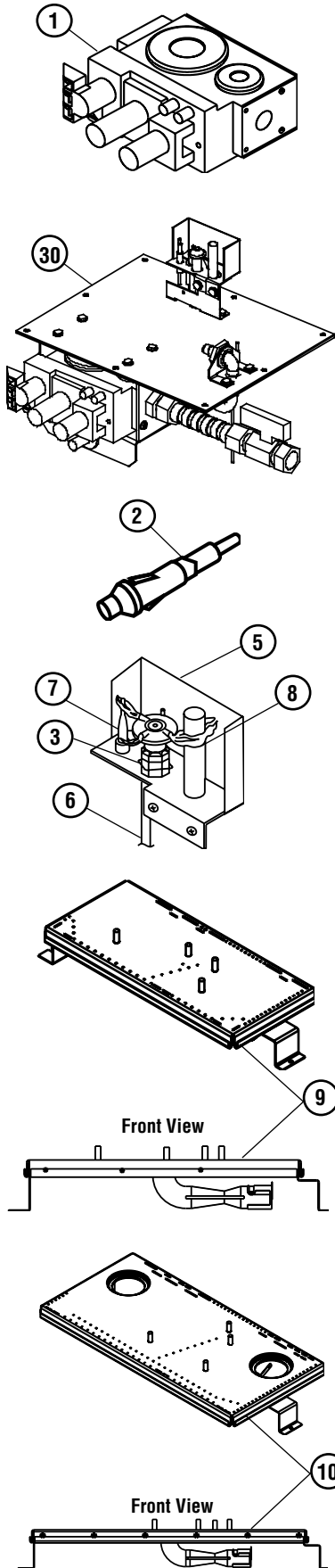
Item #	Cat. No.	Description	Where Used
12	H3703	Glass Panel Enclosure Assembly, Complete	CI1500DVF Series
12	H3704	Glass Panel Enclosure Assembly, Complete	CI2500DVF Series
29b	527	Knob, Rheostat, 1 ea.	All
	69L21	Latch, 1 ea.	All
13	24M10	Orifice, Main Burner, #37, Natural Gas, 1 ea.	CI1500DVF Series
13	H1073	Orifice, Main Burner, .121", Natural Gas, 1 ea.	CI2500DVF Series
	55M62	Paint, Touch-up for enamel, 1/2 oz - Hunter Green, 1 ea.	CI1506DVF & CI2506DVF
	55M63	Paint, Touch-up for enamel, 1/2 oz - Ivory White, 1 ea.	CI1508DVF-2 & CI2508DVF-2
	55M61	Paint, Touch-up for enamel, 1/2 oz - Maj. Brown, 1 ea.	CI1504DVF & CI2504DVF
	55M60	Paint, Touch-up for enamel, 1/2 oz - Mid. Blue, 1 ea.	CI1502DVF & CI2502DVF
14	27K30	Switch, ON/OFF (Rocker Switch), 1 ea.	All
	74L58	Wire, Igniter Electrode (includes electrode), 1 ea.	All
19	66M53	Ash Lip, Enamel Hunter Green, 1 ea.	CI1506DVF
19	66M93	Ash Lip, Enamel Hunter Green, 1 ea.	CI2506DVF
19	H2163	Ash Lip, Enamel Ivory White, 1 ea.	CI1508DVF-2
19	H2164	Ash Lip, Enamel Ivory White, 1 ea.	CI2508DVF-2
19	66M52	Ash Lip, Enamel Maj. Brown, 1 ea.	CI1504DVF
19	66M92	Ash Lip, Enamel Maj. Brown, 1 ea.	CI2504DVF
19	66M51	Ash Lip, Enamel Mid. Blue, 1 ea.	CI1502DVF
19	66M91	Ash Lip, Enamel Mid. Blue, 1 ea.	CI2502DVF
19	55M89	Ash Lip, Painted Black, 1 ea.	CI1500DVF
19	66M01	Ash Lip, Painted Black, 1 ea.	CI2500DVF
22	66M57	Door Casting, Lower Access - Enamel Hunter Green, 1 ea.	CI1506DVF
22	66M97	Door Casting, Lower Access - Enamel Hunter Green, 1 ea.	CI2506DVF
22	H2169	Door Casting, Lower Access - Enamel Ivory White, 1 ea.	CI1508DVF-2
22	H2170	Door Casting, Lower Access - Enamel Ivory White, 1 ea.	CI2508DVF-2
22	66M56	Door Casting, Lower Access - Enamel Maj. Brown, 1 ea.	CI1504DVF
22	66M96	Door Casting, Lower Access - Enamel Maj. Brown, 1 ea.	CI2504DVF
22	66M55	Door Casting, Lower Access - Enamel Mid. Blue, 1 ea.	CI1502DVF
22	66M95	Door Casting, Lower Access - Enamel Mid. Blue, 1 ea.	CI2502DVF
22	55M90	Door Casting, Lower Access - Painted Black, 1 ea.	CI1500DVF
22	66M02	Door Casting, Lower Access - Painted Black, 1 ea.	CI2500DVF

REPLACEMENT PARTS LIST (CONTINUED)

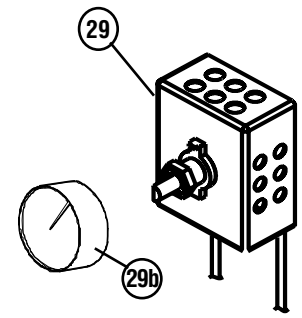
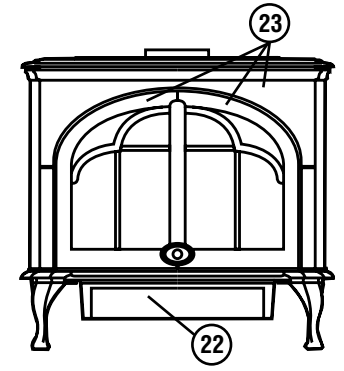
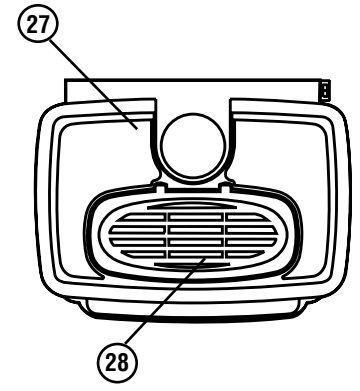
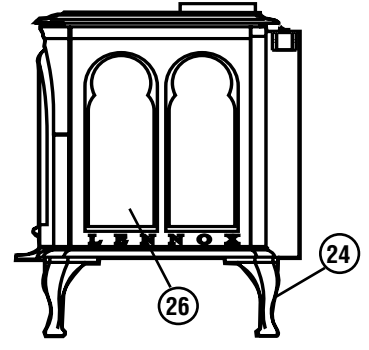
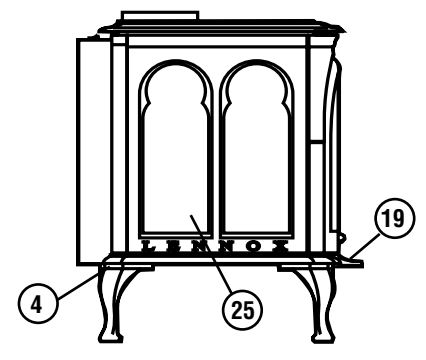
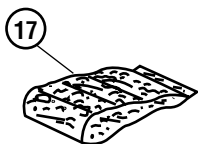
Cast Body Components (continued)			
Item #	Cat. No.	Description	Where Used
23	H5324	Front Face and Door Set Assembly, Hunter Green, 1 ea.	CI1506DVF
23	H5322	Front Face and Door Set Assembly, Hunter Green, 1 ea.	CI2506DVF
23	H5325	Front Face and Door Set Assembly, Ivory White, 1 ea.	CI1508DVF-2
23	H5323	Front Face and Door Set Assembly, Ivory White, 1 ea.	CI2508DVF-2
23	H5327	Front Face and Door Set Assembly, Majolica Brown, 1 ea.	CI1504DVF
23	H5321	Front Face and Door Set Assembly, Majolica Brown, 1 ea.	CI2504DVF
23	H5326	Front Face and Door Set Assembly, Midnight Blue, 1 ea.	CI1502DVF
23	H5320	Front Face and Door Set Assembly, Midnight Blue, 1 ea.	CI2502DVF
23	H5318	Front Face and Door Set Assembly, Flat Black, 1 ea.	CI1500DVF
23	H5319	Front Face and Door Set Assembly, Flat Black, 1 ea.	CI2500DVF
24	H1023	Leg Casting, Enamel Hunter Green, 1 ea.	CI1506DVF & CI2506DVF
24	H2173	Leg Casting, Enamel Ivory White, 1 ea.	CI1508DVF-2 & CI2508DVF-2
24	H1022	Leg Casting, Enamel Maj. Brown, 1 ea.	CI1504DVF & CI2504DVF
24	H1021	Leg Casting, Enamel Mid. Blue, 1 ea.	CI1502DVF & CI2502DVF
24	66M08	Leg Casting, Painted Black, 1 ea.	CI1500DVF & CI2500DVF
25	H1007	Side Casting, Left - Enamel Hunter Green, 1 ea.	CI1506DVF
25	H1031	Side Casting, Left - Enamel Hunter Green, 1 ea.	CI2506DVF
25	H2174	Side Casting, Left - Enamel Ivory White, 1 ea.	CI1508DVF-2
25	H2175	Side Casting, Left - Enamel Ivory White, 1 ea.	CI2508DVF-2
25	H1006	Side Casting, Left - Enamel Maj. Brown, 1 ea.	CI1504DVF
25	H1030	Side Casting, Left - Enamel Maj. Brown, 1 ea.	CI2504DVF
25	H1005	Side Casting, Left - Enamel Mid. Blue, 1 ea.	CI1502DVF
25	H1029	Side Casting, Left - Enamel Mid. Blue, 1 ea.	CI2502DVF
25	66M04	Side Casting, Left - Painted Black, 1 ea.	CI1500DVF
25	66M14	Side Casting, Left - Painted Black, 1 ea.	CI2500DVF
26	H1010	Side Casting, Right, Enamel Maj. Brown, 1 ea.	CI1504DVF
26	H1034	Side Casting, Right, Enamel Maj. Brown, 1 ea.	CI2504DVF
26	H1009	Side Casting, Right, Enamel Mid. Blue, 1 ea.	CI1502DVF
26	H1033	Side Casting, Right, Enamel Mid. Blue, 1 ea.	CI2502DVF

26	66M05	Side Casting, Right, Painted Black, 1 ea.	CI1500DVF
26	66M15	Side Casting, Right, Painted Black, 1 ea.	CI2500DVF
27	66M81	Top Casting, Stove, Enamel Hunter Green, 1 ea.	CI1506DVF
27	H1043	Top Casting, Stove, Enamel Hunter Green, 1 ea.	CI2506DVF
27	H2178	Top Casting, Stove, Enamel Ivory White, 1 ea.	CI1508DVF-2
27	H2179	Top Casting, Stove, Enamel Ivory White, 1 ea.	CI2508DVF-2
27	66M80	Top Casting, Stove, Enamel Maj. Brown, 1 ea.	CI1504DVF
27	H1042	Top Casting, Stove, Enamel Maj. Brown, 1 ea.	CI2504DVF
27	66M79	Top Casting, Stove, Enamel Mid. Blue, 1 ea.	CI1502DVF
27	H1041	Top Casting, Stove, Enamel Mid. Blue, 1 ea.	CI2502DVF
27	55M97	Top Casting, Stove, Painted Black, 1 ea.	CI1500DVF
27	66M18	Top Casting, Stove, Painted Black, 1 ea.	CI2500DVF
28	66M85	Trivet, Enamel Hunter Green, 1 ea.	CI1506DVF
28	H1047	Trivet, Enamel Hunter Green, 1 ea.	CI2506DVF
28	H2180	Trivet, Enamel Ivory White, 1 ea.	CI1508DVF-2
28	H2183	Trivet, Enamel Ivory White, 1 ea.	CI2508DVF-2
28	66M84	Trivet, Enamel Maj. Brown, 1 ea.	CI1504DVF
28	H1046	Trivet, Enamel Maj. Brown, 1 ea.	CI2504DVF
28	66M83	Trivet, Enamel Mid. Blue, 1 ea.	CI1502DVF
28	H1045	Trivet, Enamel Mid. Blue, 1 ea.	CI2502DVF
28	55M98	Trivet, Painted Black, 1 ea.	CI1500DVF
28	66M19	Trivet, Painted Black, 1 ea.	CI2500DVF
Room Air Blower System (Optional Kit)			
	H0767	Blower Kit (BK-CI), Complete	All
29	528	Rheostat, Blower Speed Control (knob not included)	All
	42M60	Switch, Temperature Control (thermally activated fan disc)	All
Log Sets			
16	35M66	Ember Strip (bottom front refractory), 1 ea.	CI1500DVF Series
16	42M61	Ember Strip (bottom front refractory), 1 ea.	CI2500DVF Series
17	88L53	Embers, Bag of (1 oz. rockwool), 1 ea.	All
18	H1065	Log Set, 7 pc.	CI1500DVF Series
18	H1075	Log Set, 7 pc.	CI2500DVF Series

REPLACEMENT PARTS



Log Set Does Not Include Ember Strip (purchased separately)



OPTIONAL WARMING SHELVES KIT

Kit Contents:

2 ea. Warming Shelves	6 ea. Insets (CI2500 Series)
4 ea. Decorative Brackets	4 ea. Screws, 6mm x 20mm
4 ea. Insets (CI1500 Series)	1 ea. Instruction Sheet

Tools Required:

Phillips Screwdriver

If Optional Warming Shelves are purchased, install as follows:

Installation Instructions:

1. Lift off trivet, then stove top and set aside.

⚠ CAUTION

The cast iron stove top is very heavy and may require a minimum of two people to lift; one person on each side (the CI1500 series cast top weighs ~20 pounds and the CI2500 series cast top weighs ~40 pounds).

2. Install decorative brackets to both warming shelves using the screws provided (see *Figure 22*).

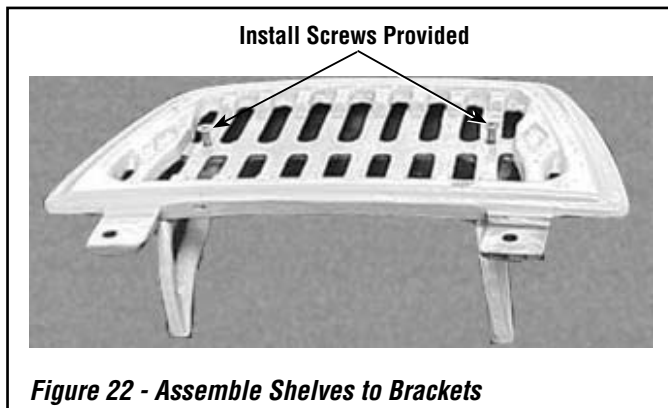


Figure 22 - Assemble Shelves to Brackets

3. Using the existing screws on the stove body, install both warming shelf assemblies as shown in *Figure 23*. Tighten screws just enough to level shelves.

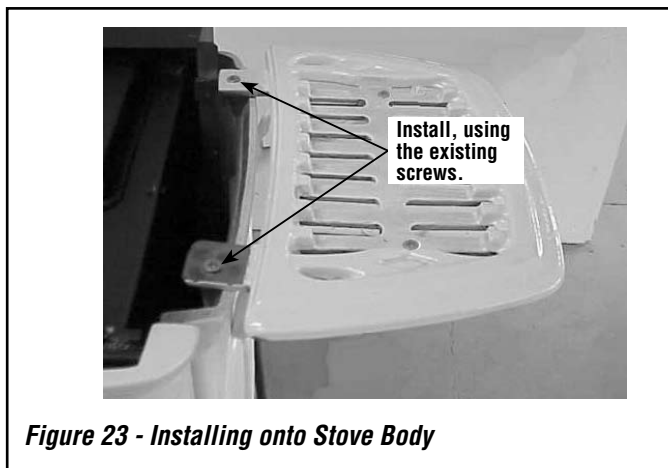


Figure 23 - Installing onto Stove Body

4. Place the insets (4 ea. for the CI1500 series or 6 ea. for the CI2500 series) into the recessed areas on both warming shelves as shown in *Figures 24 and 25*. **Note: Common ceramic tiles (4-1/4" square) can be used in place of insets on the warming shelves (available at most home improvement stores).**

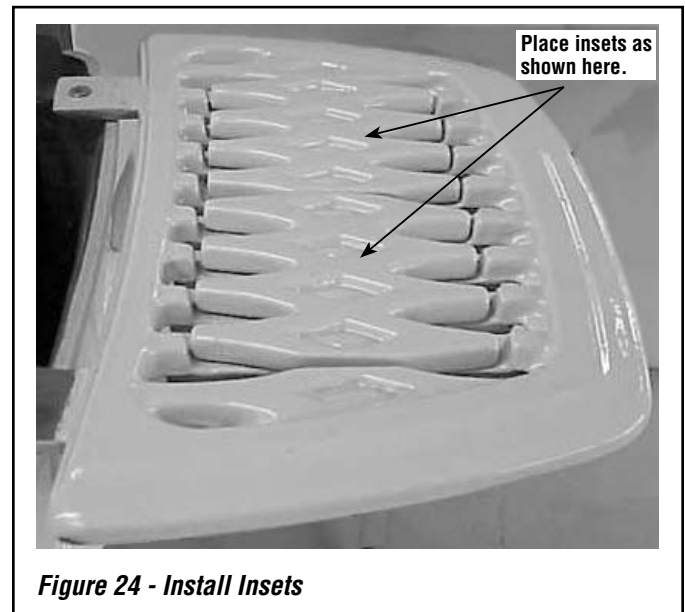


Figure 24 - Install Insets

5. Reinstall stove top into position (see *Figure 25*).



Figure 25 - Top View of Warming Shelves Installed

Proper Use Instructions:

These attractive shelves are designed to be functional for placing food to stay warm. For cleaning instructions see *Cleaning Enamel Surfaces* on *Page 7*.

IMPORTANT NOTES:

- NEVER PLACE ANYTHING ON THE SHELVES WHICH EXCEEDS 80 POUNDS (36 KILOGRAMS).
- NEVER PLACE FOOD CONTAINERS OR OTHER MATERIALS ON THE SHELVES THAT MAY BE SUBJECT TO MELTING.

WARRANTY

Your gas stove is covered by a limited warranty (provided with appliance). Please read the warranty to be familiar with its coverage.

Retain this manual. File it with your other documents for future reference.

PRODUCT REFERENCE INFORMATION

We recommend that you record the following important information about your appliance. Please contact your Lennox Hearth Products dealer for any questions or concerns. For the number of your nearest Lennox Hearth Products dealer, please call 1-800-9-LENNOX.

REPLACEMENT PARTS

See **Pages 22 through 24** for a complete replacement parts list. Use only parts supplied from the manufacturer.

Normally, all parts should be ordered through your Lennox Hearth Products distributor or dealer. Parts will be shipped at prevailing prices at time of order.

When ordering repair parts, always give the following information:

1. The model number of the appliance.
2. The serial number of the appliance.
3. The part number.
4. The description of the part.
5. The quantity required.
6. The installation date of the appliance.

If you encounter any problems or have any questions concerning the installation or application of this system, please contact your dealer.

LENNOX HEARTH PRODUCTS
1508 Elm Hill Pike, Suite 108
Nashville, TN 37210
Visit us at www.Lennox.com

Your Fireplace Stove's Model Number _____
Your Stove's Serial Number _____
The Date On Which Your Stove Was Installed _____
The Type of Gas Your Stove Uses _____
Your Dealer's Name _____
Fuel Type (Check one) Natural Gas Propane Gas (LP)

**NATIONAL
FIREPLACE
INSTITUTE**



CERTIFIED
www.nficertified.org

We recommend that our gas hearth products be installed and serviced by professionals who are certified in the U.S. by the National Fireplace Institute® (NFI) as NFI Gas Specialists.

**NATIONAL
FIREPLACE
INSTITUTE**



CERTIFIED
www.nficertified.org

Nous recommandons que nos foyers au gaz soient installés et que l'entretien soit effectué par des professionnels certifiés par le National Fireplace Institute® (NFI). (Etats-Unis seulement)

Lennox Hearth Products reserves the right to make changes at any time, without notice, in design, materials, specifications, prices and also to discontinue colors, styles and products. Consult your local distributor for fireplace code information.

LENNOX
HEARTH PRODUCTS