



LENNOX HEARTH PRODUCTS

HEARTH PRODUCTS
KITS AND ACCESSORIES

750,150M REV N/C 8/2002

CAST IRON FACADE KITS

INSTALLATION INSTRUCTIONS FOR CAST IRON FACADE KITS Model Numbers LSS-CA35 (H0378) and LSS-CA40 (H0398) FOR USE WITH SPECTRA LSS SERIES GAS FIREPLACES

GENERAL INFORMATION

These cast iron facade kits are designed to be used in conjunction with the grillwork kits. Together, when installed, these kits complete the front aspect of the Spectra LSS series gas fireplaces. The kits contain one of each of the following cast iron facade pieces: bottom, top, left and right piece. They also contain four 1/2 inch long 1/4-20 facade holding screws, four 1-1/2 inch long 1/4-20 facade holding screws and these instructions.

INSTALLATION INSTRUCTIONS

- Step 1.** Install the top and bottom grills to their corresponding top and bottom cast iron facade pieces as detailed in the installation instructions provided with the grillwork kits.
- Step 2.** Install four kit-provided facade holding screws to each of the two side pieces ensuring compliance with the gaps shown in *Figure 1*.

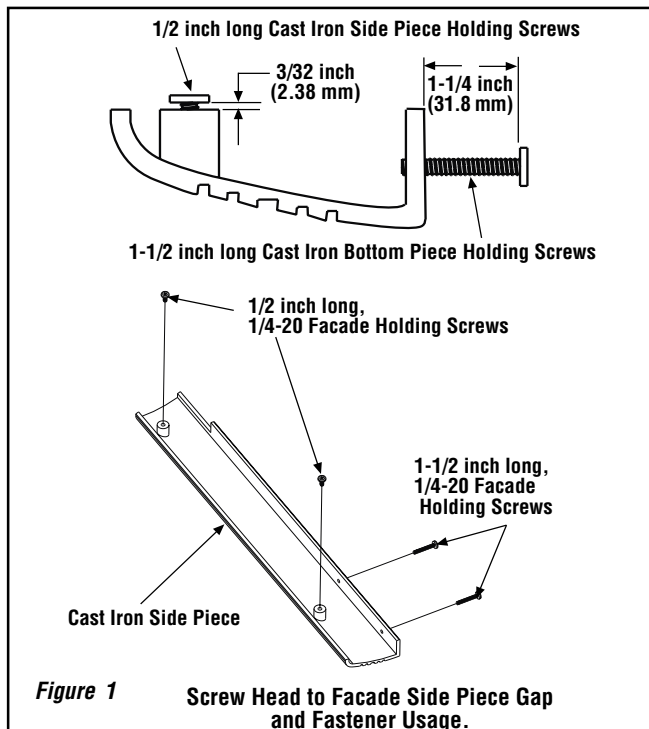


Figure 1 Screw Head to Facade Side Piece Gap and Fastener Usage.

- Step 3.** Hook the two cast iron side pieces onto the fireplace side channels as shown in *Figure 2*. If the fit is too tight or loose, adjust the gap of the two holding screws. (See *Figure 1*.)

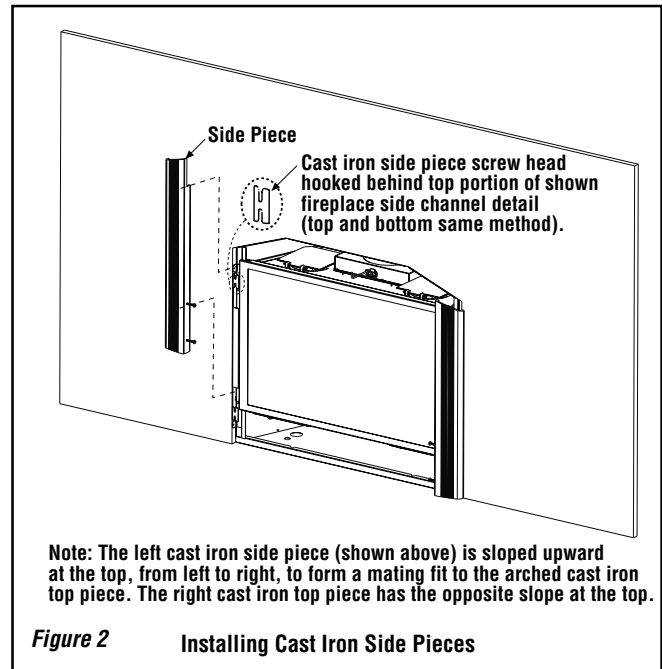
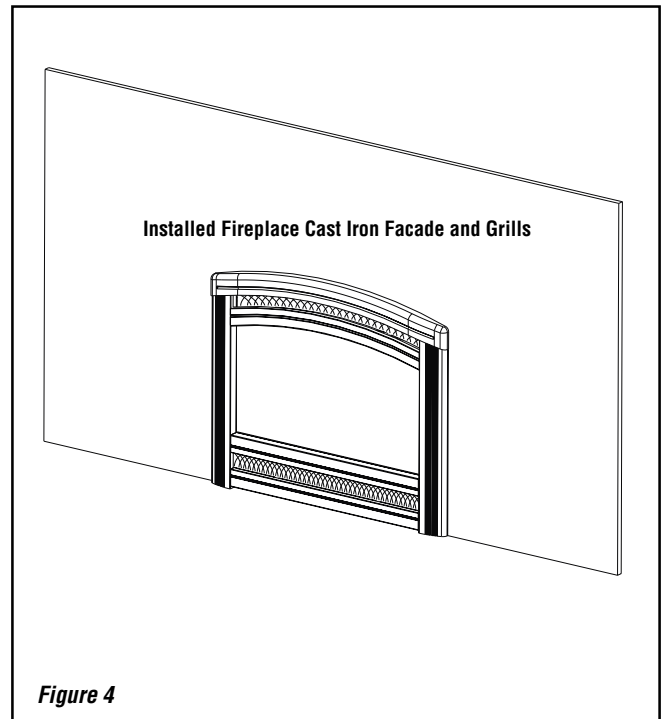
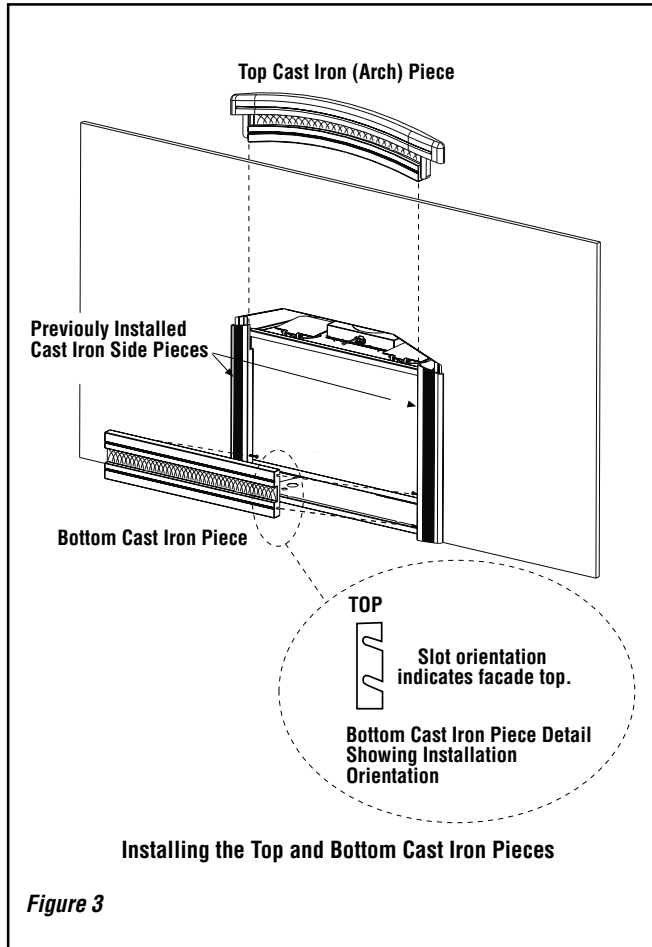


Figure 2 Installing Cast Iron Side Pieces

NOTE: DIAGRAMS & ILLUSTRATIONS NOT TO SCALE.

Step 4. Slide the top cast iron piece (arched piece) down between and behind the side pieces as shown in *Figure 3*. See *Figure 4* for the final appearance of the installed cast iron facade .

Step 5. Hook the bottom cast iron piece (with the top, up, as shown in *Figure 3*) to the 4 holding screws protruding from the two cast iron side pieces as shown in *Figure 3*. See *Figure 4* for the final appearance of the installed cast iron facade.



NOTE: DIAGRAMS & ILLUSTRATIONS NOT TO SCALE.

The manufacturer reserves the right to make changes at any time, without notice, in design, materials, specifications, prices and also to discontinue colors, styles and products. Consult your local distributor for fireplace code information.

LENNOX[®]
HEARTH PRODUCTS

Printed in U.S.A. © 2002 by LENNOX
P/N 750,150M REV. N/C 8/2002

1110 West Taft Avenue • Orange, CA 92865