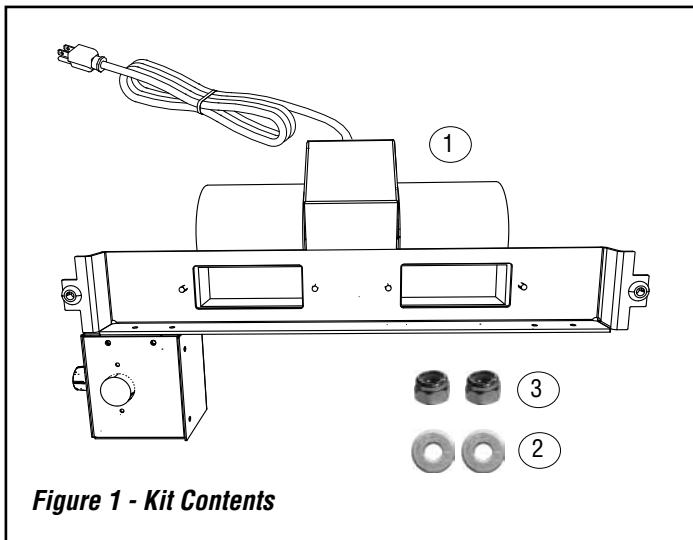


INSTALLATION INSTRUCTIONS FOR AN AIR CIRCULATION BLOWER KIT FOR USE WITH THE VINTAGE™ 27 GAS STOVE

ELITE™ SERIES

KIT CONTENTS

- 1 ea. Blower Assembly (item #1)
- 2 ea. Washers, #10 (item #2)
- 2 ea. Nuts, 10-24 Nylock (item #3)
- 1 ea. Instruction Sheet



TURN OFF THE STOVE AND ALLOW IT TO COMPLETELY COOL BEFORE PROCEEDING.

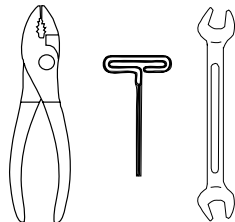
INSTALLATION INSTRUCTIONS

Step 1. Using an allen wrench, remove socket head screw A that secures the heat shield to the bottom of the stove. See *Figure 2*.

Step 2. Using pliers, twist and break off section B of the heat shield (*shown as hatched section B in Figure 2*). Discard this piece after removing.

TOOLS NEEDED

- 5/32" Allen Wrench Or T-Handle Wrench
- 3/8" End Wrench
- Pliers



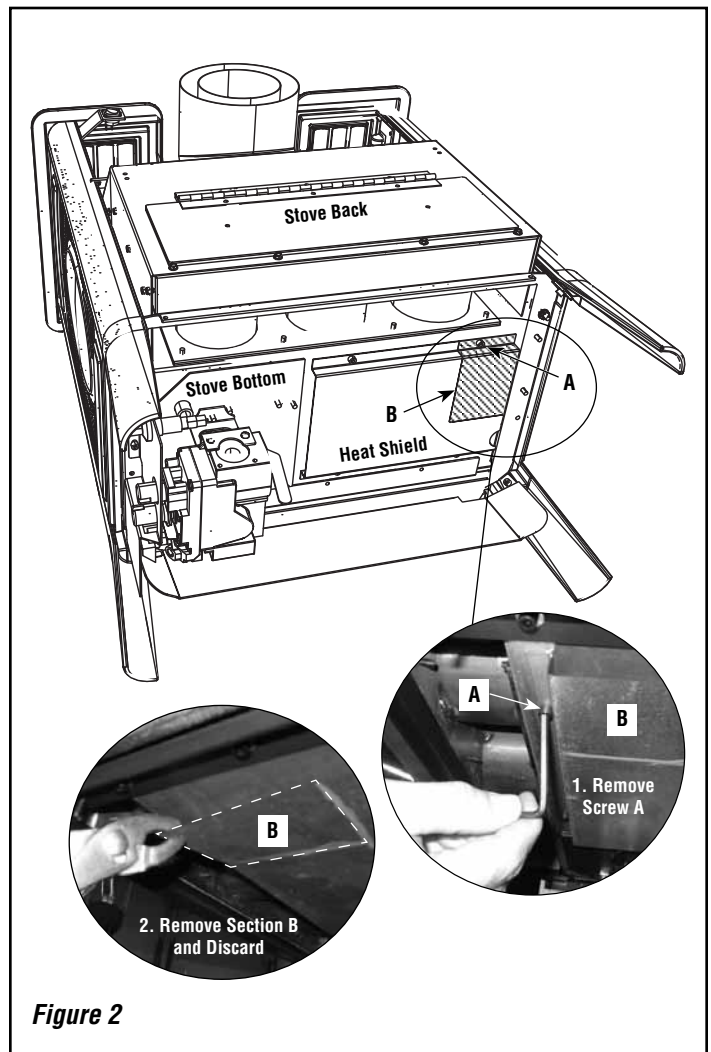
GENERAL INFORMATION

This optional 150-CFM blower for the Vintage gas stove provides variable speed control, thermal activation and forced air circulation of the warm air into the room.

If you encounter any problems, need clarification of these instructions or are not qualified to properly install this kit, contact your local distributor or dealer.

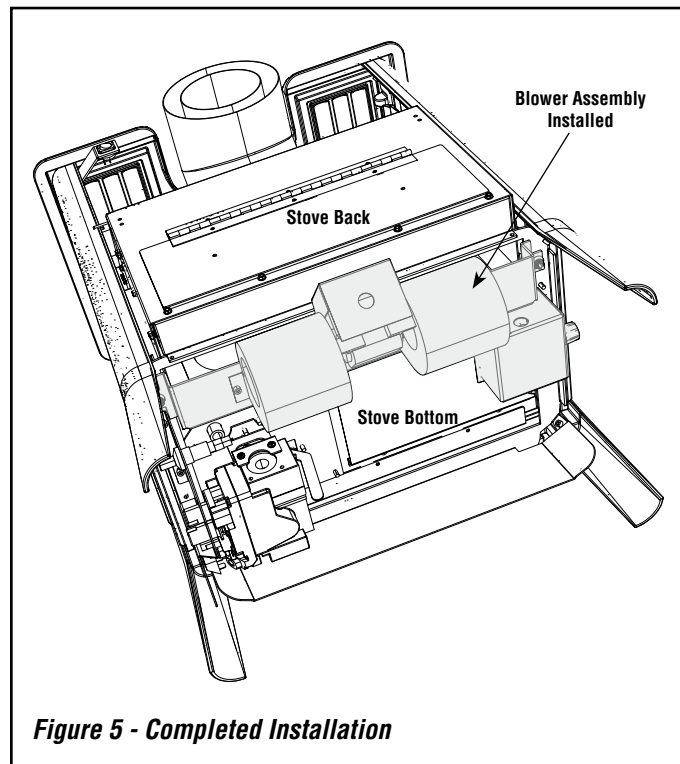
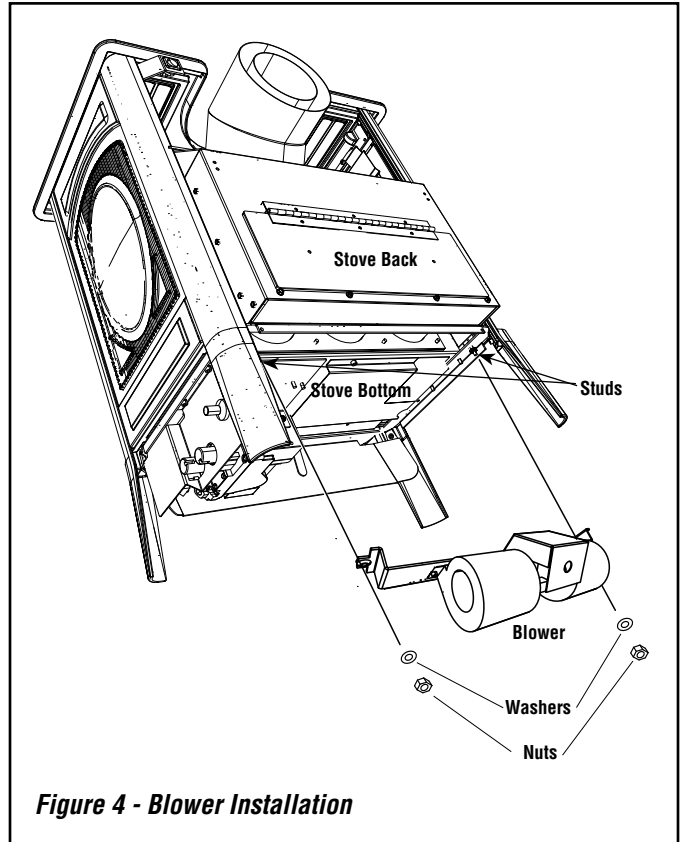
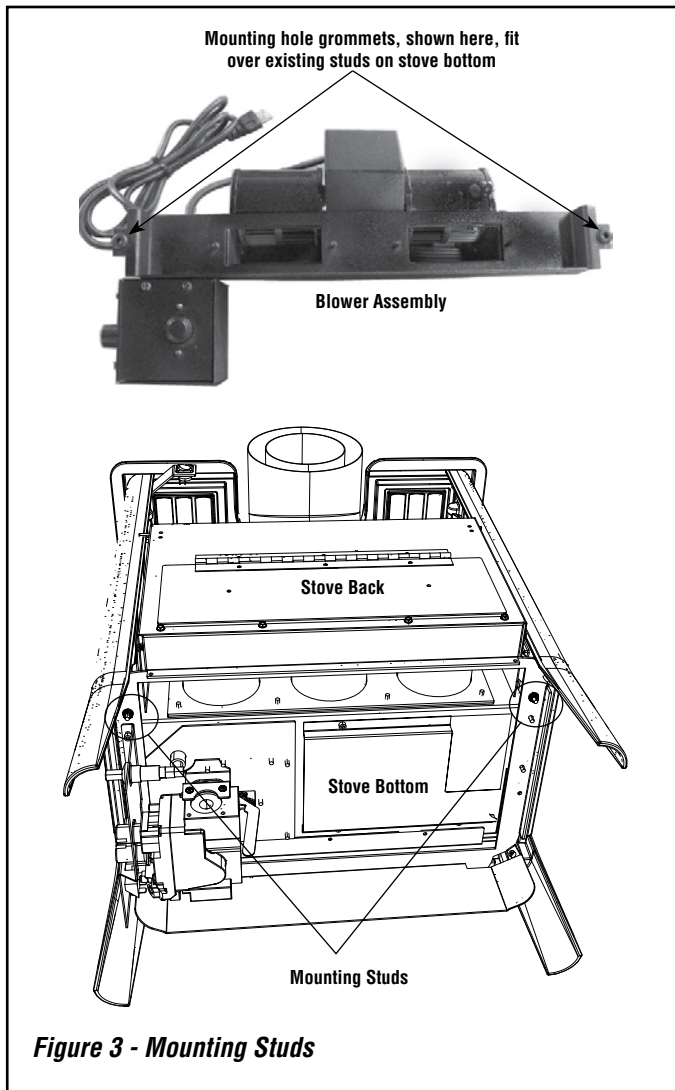
Read this instruction sheet in its entirety before beginning the installation.

ALL WARNINGS AND PRECAUTIONS IN THE INSTALLATION AND OPERATION MANUAL PROVIDED WITH THE APPLIANCE APPLY TO THESE INSTRUCTIONS.



Step 3. Remove the blower from the box and unwrap it. The blower has a rubber grommeted hole at each end (see **Figure 3**). Position the blower under the stove so the grommets are up and the blower control knob is at the left side (the left side is determined by standing in front of the stove looking at it). The grommeted holes slide over the two threaded studs located at the bottom rear of stove. See **Figures 3 and 4**.

Step 4. After placing the blower's grommeted holes over the studs, slide a washer over each stud and then secure the blower with the nuts provided. See **Figure 4**.



Blower Operation

The blower will come on when the stove is up to temperature and shut off when the stove cools. The blower control knob must be turned "ON" for the blower to operate (see **Figure 6**).

Blower Control Knob - The highest blower speed is obtained by turning the control knob clockwise until it clicks "ON." Continue to rotate the knob clockwise for a lower speed. To turn off, rotate the knob counterclockwise until it clicks "OFF."

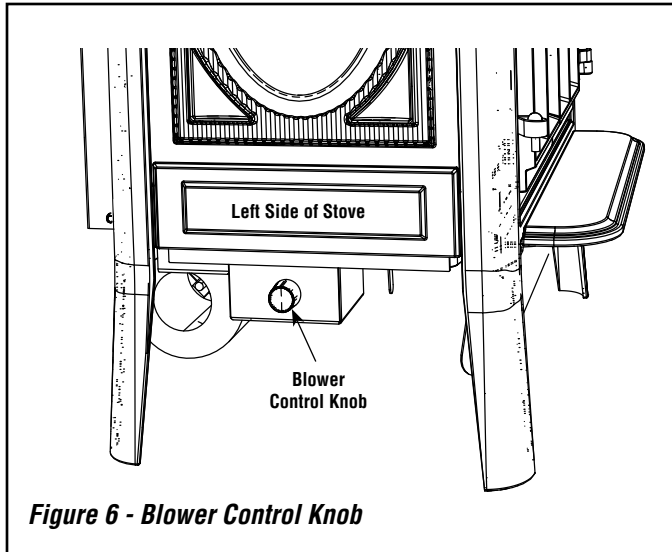


Figure 6 - Blower Control Knob

⚠ WARNINGS

Once the new blower is properly installed, it must be plugged directly into a properly grounded three-prong receptacle, 120 VAC, 60 Hz, single phase power supply. Do not cut or remove the grounding prong from this plug. Do not route power cord under or in front of appliance.

Ground supply (green) lead must be connected to the wire attached to the green ground screw located on the unit or blower assembly. Failure to do so will result in a potential safety hazard. The appliance must be electrically grounded in accordance with local codes or, in the absence of local codes, the National Electrical Code, ANSI/NFPA 70-latest edition. (In Canada, the current CSA C22-1 Canadian Electrical Code).

CAUTIONS

- Disconnect the plug from receptacle prior to servicing the blower.
- Label all wires prior to disconnection when servicing controls. Wiring errors can cause improper and dangerous operation.
- Verify proper operation after servicing.

Vintage™ 27 Blower Wiring Diagram

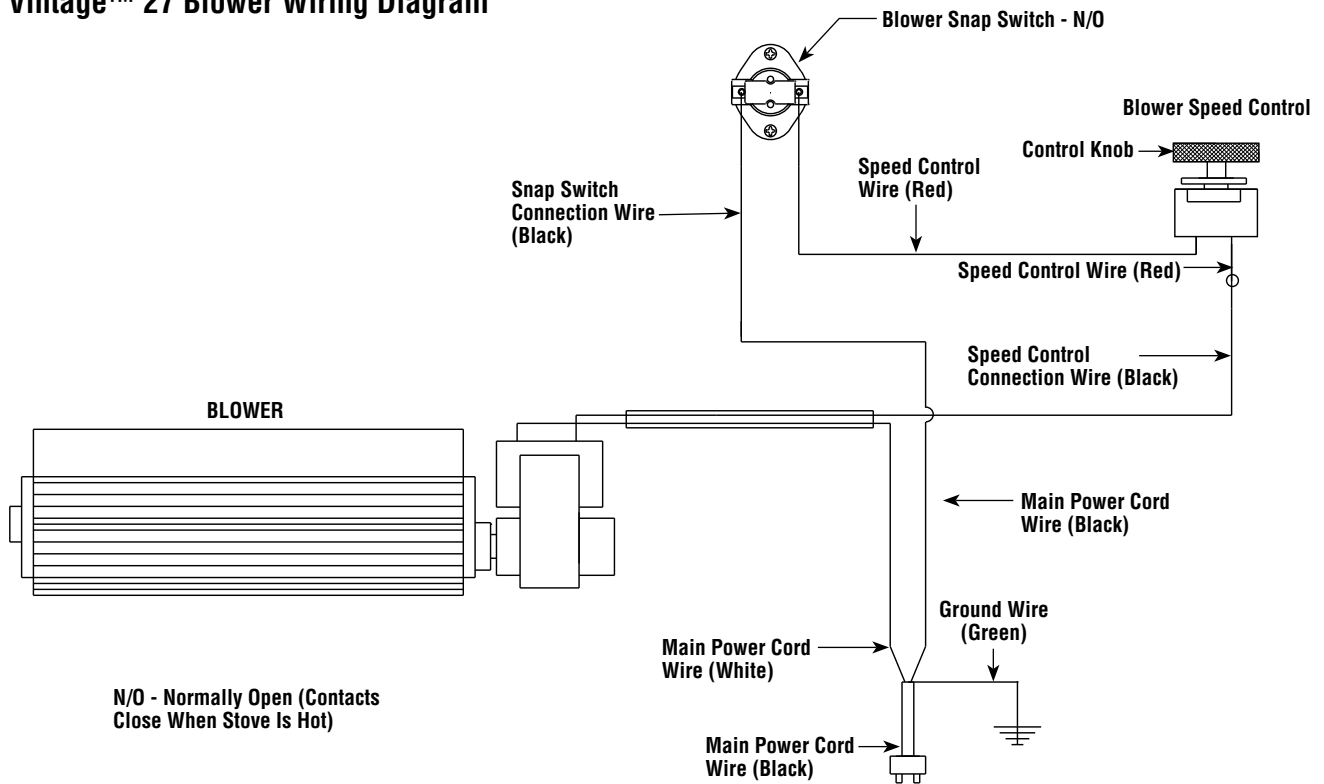


Figure 7 - Wiring Diagram

Lennox Hearth Products reserves the right to make changes at any time, without notice, in design, materials, specifications, prices and also to discontinue colors, styles and products. Consult your local distributor for fireplace code information.

