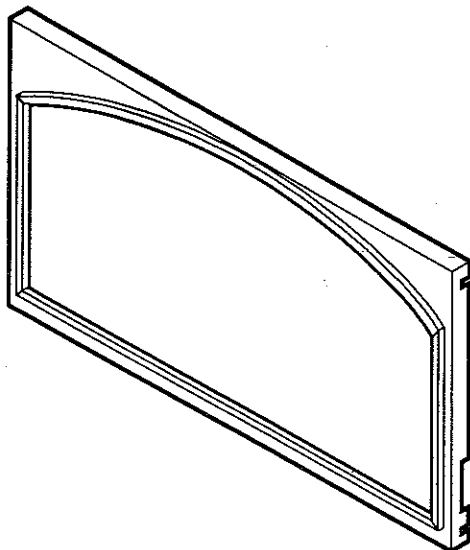


INSTALLATION INSTRUCTIONS

*For The
Direct Vent Option Series
Decorative Brass Arch Kits*

*Models
_DAT-33-1, _DAT-38-1 and
_DAT-43-1*

*Designed For Use With
Models
_DV-33, _DV-38 and _DV-43
Direct Vent Decorative
Gas Appliances*



The decorative arch frame kit, Model _DAT-33-1, is designed for use with the _DV-33 appliances. Model _DAT-38-1 is designed for use with the _DV-38 appliances. Use Model _DAT-43-1 with the _DV43T appliance.

These kits are easy to install and do not require any hardware to attach them to the standard door frame. The decorative arch kit will enhance and customize the look of your appliance. These kits can be retrofitted to previously installed appliances.

The decorative arch kits described in this document contain all the components necessary to complete the task.

The manufacturer recommends that the installation manual provided with the appliance be read completely and understood thoroughly before proceeding with the installation of the kit. All warnings and precautions in that document apply to these instructions.

INSTALLATION

Note: Prior to installing this brass component remove all of the protective plastic coating.

Step 1. Turn off the gas supply to the appliance. Allow the appliance to cool to room temperature.

Step 2. Remove the glass door frame assembly from the appliance. Slip the arch over the door frame. The arch kit is held in place by a slip fit.

Step 3. Check installation. Ensure that there is a $\frac{1}{16}$ " gap between the glass and metal trim. Reposition as necessary to ensure that the gap is provided.

Step 4. Reinstall the glass door frame assembly. Light the appliance in accordance with the instructions provided with the unit.

Note: Underscore is used here in place of a letter character which varies by product line. Letter shown in the first position of the Model Number is designated as follows: S = Superior, F = Fireplus, H = Hearthstar

NOTE: DIAGRAMS & ILLUSTRATIONS NOT TO SCALE.

SFC reserves the right to make changes at any time, without notice, in design, materials, specifications, prices and also to discontinue colors, styles and products. Consult your local distributor for fireplace code information.

Printed in U.S.A. © 1996 by SFC
P/N 901626 REV. B 10/96

SFC

4325 Artesia Avenue • Fullerton, CA 92833
714-521-7302
503 East Reelfoot Avenue • Union City, TN 38261
901-885-7621