

INSTALLATION INSTRUCTIONS

For The
Direct Vent Option Series
Decorative Brass
Square Trim Kits

Models
_STK-33-4, _STK-38-4
And _STK-43-4

Designed For Use With
Models
_DV-33T, _DV-38R,
_DV-38T and DV-43T
Direct Vent Decorative
Gas Appliances

These four-piece decorative square trim kits are designed for use with most _DV Series direct vent appliances. Use Model _STK-33-4 with the _DVC-33T and _DVR-33T appliances. Do not use this square trim kit on the _DVA/_DVH-33R appliances. Use Model _STK-38-4 with the DV-38R and DV-38T appliances. Use Model _STK-43-4 with the _DV-43T appliances.

These kits are easy to install and do not require any hardware to attach them to the standard door frame. The four-piece decorative square trim kits can be installed without the bottom or bottom and side pieces to customize the look of your appliance. These kits can be retrofitted to previously installed appliances.

The four-piece decorative square trim kits described in this document contain all the components necessary to complete the task.

It is recommended that the installation manual provided with the appliance be read completely and understood thoroughly before proceeding with the installation of the kit. All warnings and precautions in that document apply to these instructions.

INSTALLATION

Note: Prior to installing the brass components remove all of the protective plastic coating.

Step 1. Turn off the gas supply to the appliance. Allow the appliance to cool to room temperature. Remove the glass door frame from the appliance.

Step 2. Remove the glass door frame assembly from the appliance.

Step 3. Attach the side components of the square trim kit to the side of the door frame by laying them on top of it. Secure these side pieces by bending the tabs back and around the door frame.

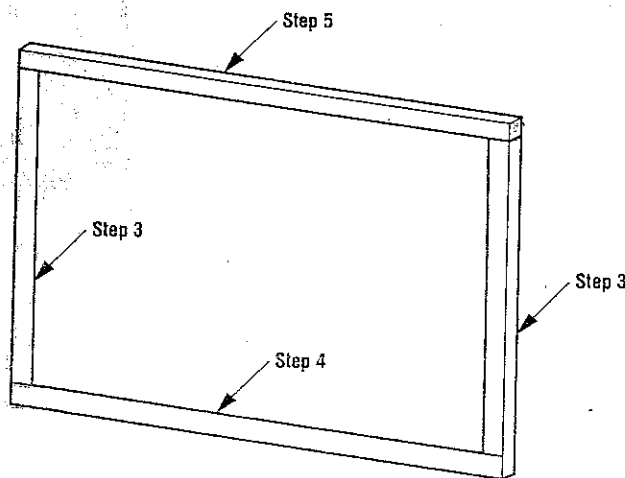
Step 4. Attach the bottom component of the square trim kit to the bottom of the door. Capture the top edge of the lower door frame, nearest the glass within the hemmed edge of the bottom component and bend the two (2) side tabs around frame. The lower brass component will completely cover the bottom portion of the door frame and overlap the side pieces.

Step 5. Attach the top component of the square trim kit to the door frame, this component overlaps the side pieces. Secure the top piece to the door frame by bending the tabs back and around the door frame.

CAUTION: THE TABS ON THE TOP AND SIDE COMPONENTS MUST NOT BE POSITIONED SO THAT THEY MAY INTERFERE WITH THE SEALING SURFACES OF THE GASKET. ENSURE THAT THE TABS ARE COMPLETELY BENT BACK AND OUT OF THE WAY.

Step 5. Check installation. Ensure that there is a $\frac{1}{16}$ " gap between the glass and metal trim pieces. Reposition if necessary to ensure that the gap is provided.

Step 6. Reinstall the glass door frame assembly. Light the appliance in accordance with the instructions provided with the unit.



Note: Underscore is used here in place of a letter character which varies by product line. Letter shown in the first position of the Model Number is designated as follows: S = Superior, F = Fireplus, H = Hearthstar

NOTE: DIAGRAMS & ILLUSTRATIONS NOT TO SCALE.

SFC reserves the right to make changes at any time, without notice, in design, materials, specifications, prices and also to discontinue colors, styles and products. Consult your local distributor for fireplace code information.

Printed in U.S.A. © 1996 by SFC
P/N 903023 REV. N/C 10/96

SFC

4325 Artesia Avenue • Fullerton, CA 92833
714-521-7302
503 East Reelfoot Avenue • Union City, TN 38261
901-885-7621