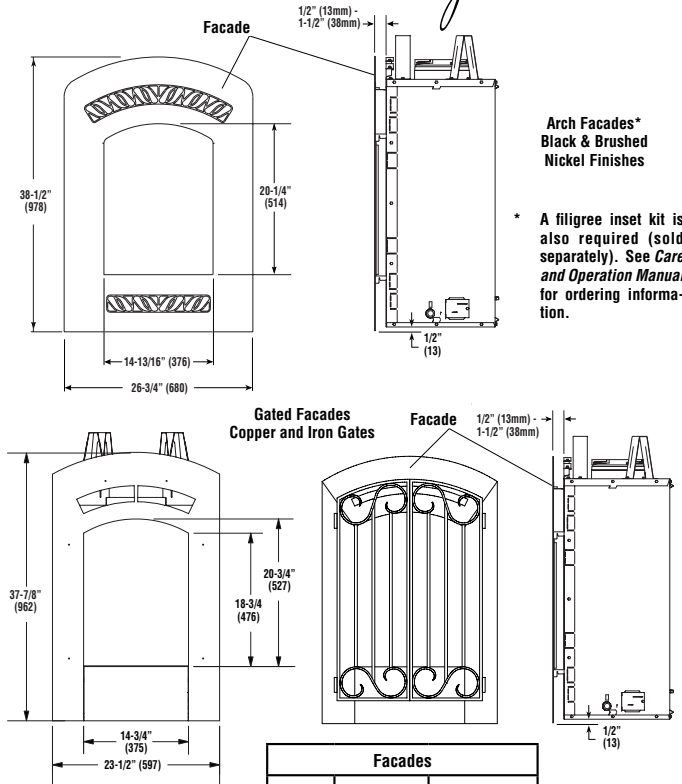
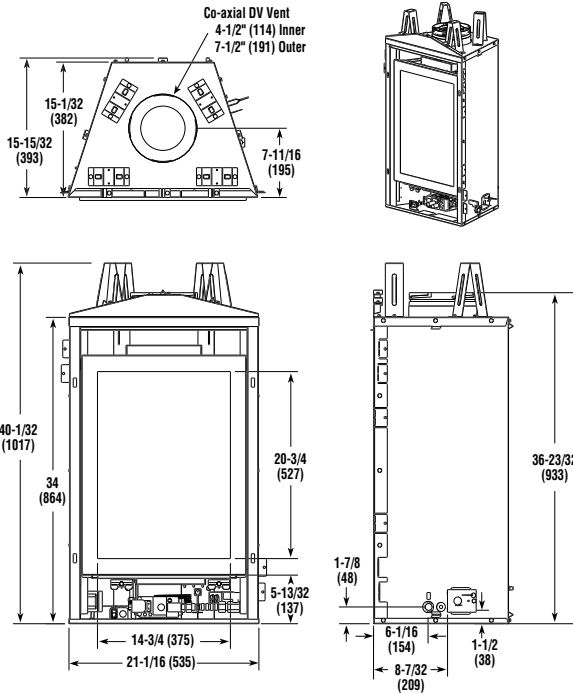


ADAGIO™-MN / ADAGIO-MP / ADAGIO-EN

Appliance Specifications - Adagio Series Direct Vent Fireplace Heaters



Fireplace Dimensions - Inches (millimeters)



Arch Facades*
Black & Brushed
Nickel Finishes

* A filigree inset kit is also required (sold separately). See Care and Operation Manual for ordering information.

Fireplace Dimensions

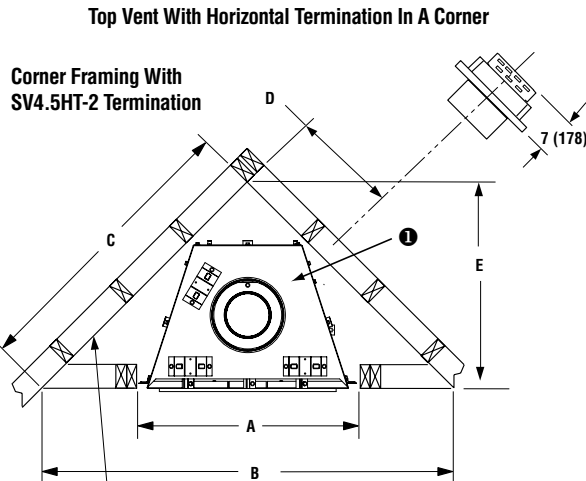
Notes
Due to Lennox' ongoing commitment to quality, all specifications, ratings and dimensions are subject to change without notice.
** With the facade installed (required - sold separately), the appliance base will need to be elevated a minimum of 3/4" above the floor to allow for the proper fit of the facade (i.e. use 3/4" board minimum as platform).

Facades		
Cat. #	Model	Description
H5773	ADAGIO-AG	Arch Black
H5774	ADAGIO-PF	Arch Br. Nickel
H5775	ADAGIO-IG	Iron Gates
H5776	ADAGIO-CPD	Copper Gates

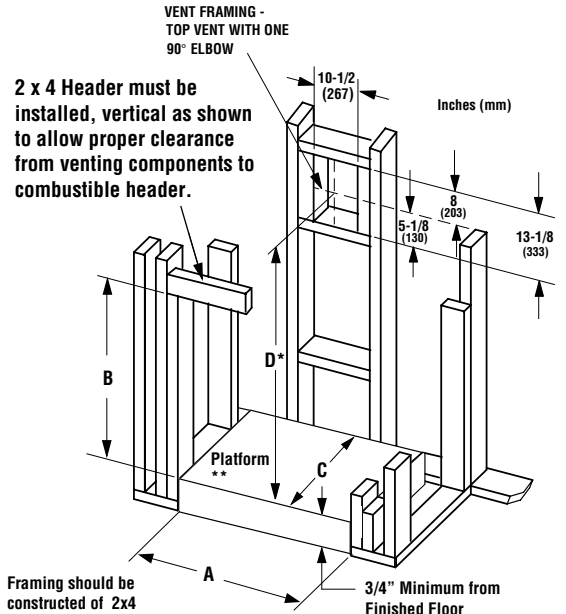
Corner Framing Dimensions - All Models					
	A	B	C	D	E
in.	22-1/8	41-5/8	29-1/2	10	20-7/8
mm	562	1057	749	254	530

Framing Dimensions - All Models				
	A	B	C	D
in.	22-1/8	40-1/4	15-3/4	44-1/8
mm	562	1022	400	1121

Framing Dimensions



① When installing in a corner configuration, one of the rear stand-offs will need to be removed.



Framing should be constructed of 2x4 or larger lumber

ADAGIO™-MN / ADAGIO-MP / ADAGIO-EN

Listing Information

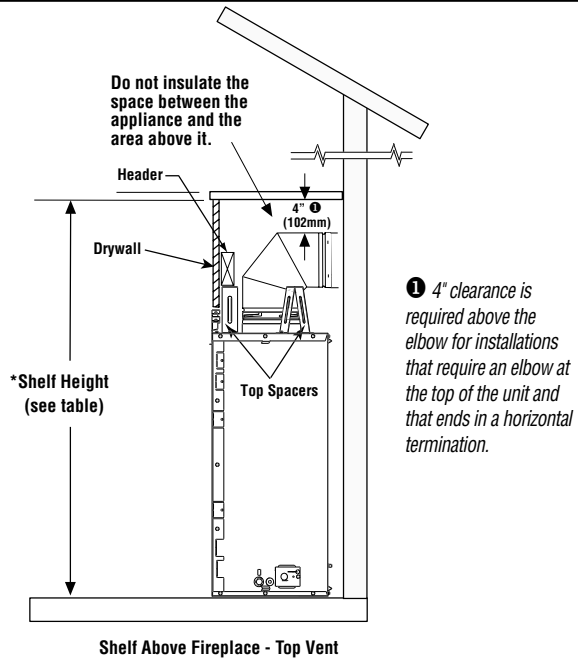
Input (BTU) - Millivolt Models		
Natural (NG) & Propane (LP) Gas		
Models	Fuel	Input Rate (BTU / HR)
Adagio-MN	NG	13,000 (10,000 Low)
Adagio-MP	LP	13,000 (10,000 Low)

Input (BTU) - Electronic Models		
Natural (NG) & Propane (LP) Gas		
Models	Fuel	Input Rate (BTU / HR)
Adagio-EN	NG	13,000 (10,000 Low)
Adagio-EP	LP	13,000 (10,000 Low)

if field converted

Tested to ANSI Z21.88 (in Canada, CSA-2.33), and CAN/CGA-2.17-M91 in both USA and Canada, as vented gas fireplace heaters.

Tested & Listed By **OTLUS** Beaverton Oregon USA
OMNI-Test Laboratories, Inc.
 Report No. 116-F-48-5



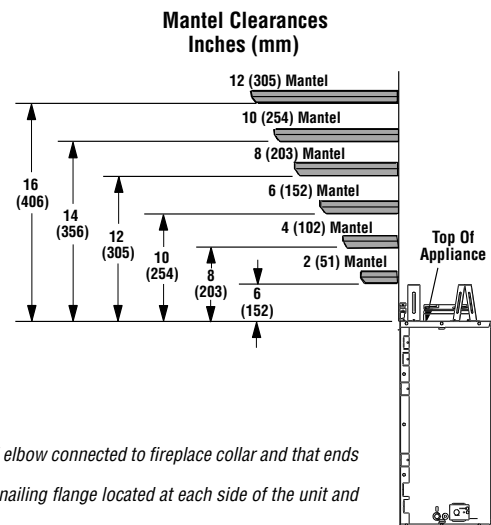
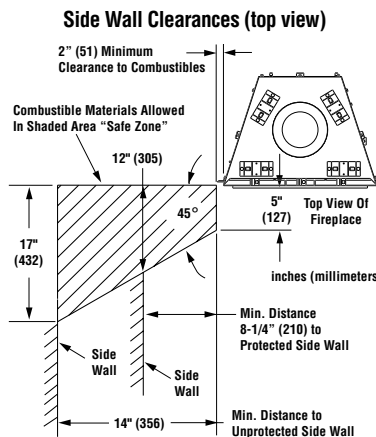
Shelf Height

Models	Combustible Shelf Height - Inches (millimeters)	
	Top Vent - with One 90 Degree Elbow	
Adagio-MN Adagio-MP Adagio-EN	Secure Vent	Secure Flex (flex elbow)
	*52 (1321)	*53-3/4 (1365)

* Includes 4" clearance to combustibles (required above vent components)

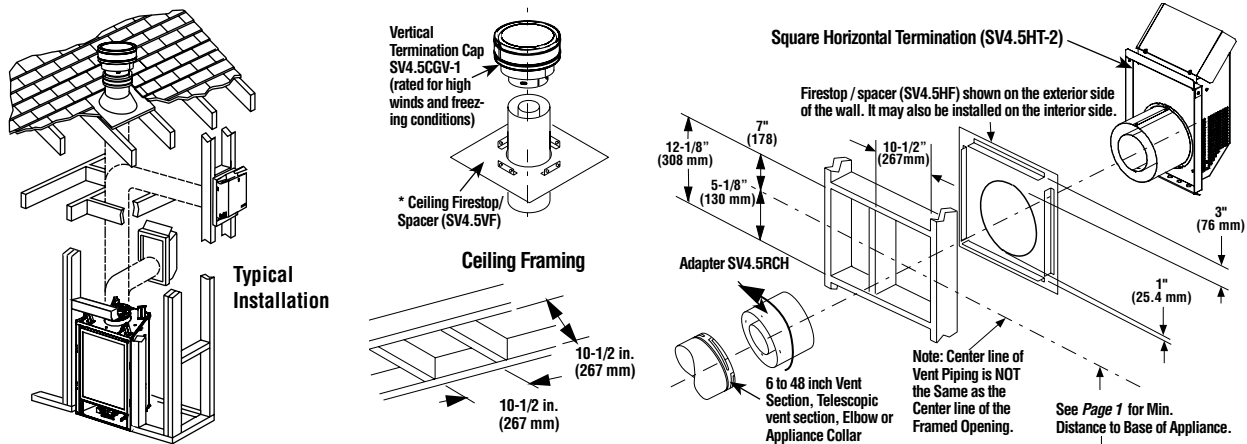
Clearances

Minimum Clearances Inches (millimeters)	
Back	1/2 (13) - 0 (0) Spacers
Sides	1/2 (13) - 0 (0) Spacers**
Top Spacers	0 (0)
Floor	0 (0)***
Bottom of Appliance To Ceiling	64 (1626)
Vent	3 (76) Top * - 1 (25.4) Sides & Bottom
Service Clearances - Feet (meters)	
Front	3 ft. (0.9 m)



- * Note: 3 in. (75 mm) above any horizontal vent component, except for installations which have an elbow connected to fireplace collar and that ends in a horizontal termination (this installation requires a 4" clearance above vent).
- ** Note: See Installation Instructions Manual on Page 6 (Step 1) for clearance requirements to the nailing flange located at each side of the unit and any screw heads adjacent to it.
- *** Note: To ensure proper fit of the facade, the appliance base will need to be elevated 3/4" above the floor to allow for the proper fit of the facade (i.e. Use 3/4" board as platform).

Venting Requirements



Printed in U.S.A. © 2007 Lennox Hearth Products
 P/N 775,617M REV. A 06/2008

LENNOX
 HEARTH PRODUCTS

Specifications and clearances are subject to change without notice. Refer to Installation Manual before installation of these appliances for updated dimensions and instructions.