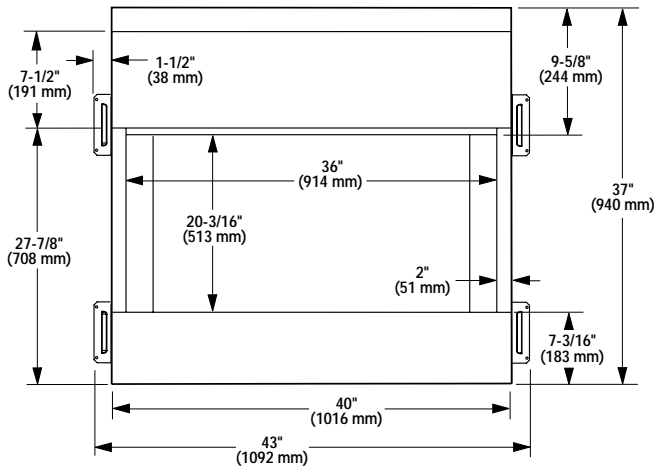
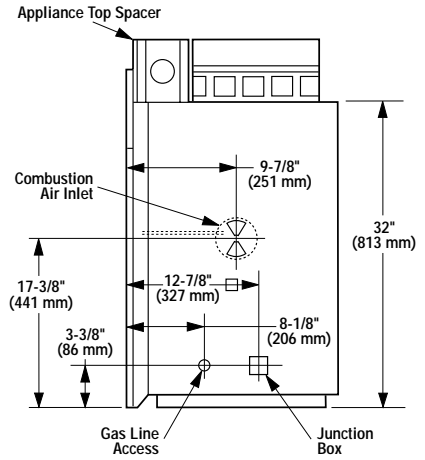


# MERIT™ SERIES / LMBV-36

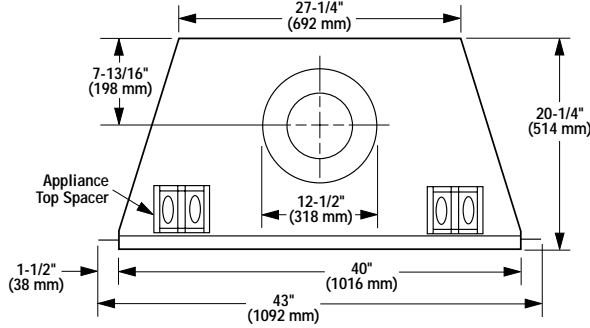
## Appliance Specifications



Front View



Right Side



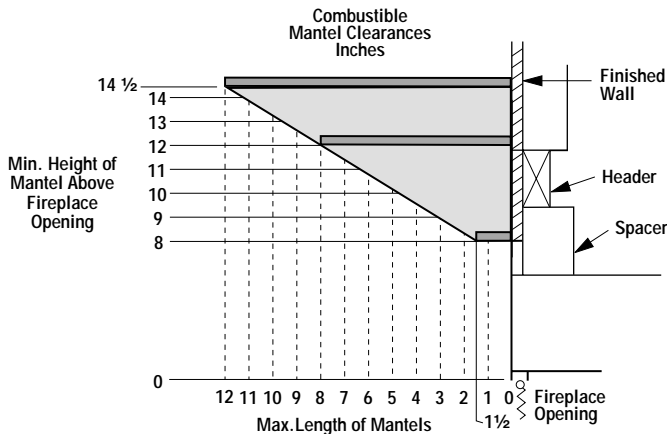
Top View

*Note: All specifications, ratings and dimensions are subject to change without notice.*

## Fireplace Finishes

### Mantels And Trim

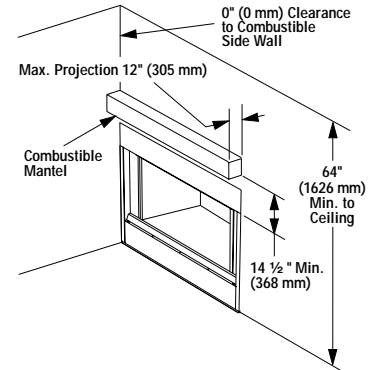
Vertical installation clearances to combustible mantels vary according to the depth of the mantel. The figure below details these required clearances. Mantels constructed of non-combustible materials may be installed at any height above the appliance opening, however, do not allow anything to hang below the eyebrow.



Three mantels are shown (dark gray elongated rectangles) - one, 1 1/2 in. long at a min. of 8 in. above the fireplace opening; the second, 8 in. long at a min. of 12 in. above the fireplace opening; and the third, 12 in. long at a min. of 14 1/2 in. above the fireplace opening; for any mantels between these three in length, they must be located within the lighter gray shaded area.

### Wall Details

A combustible mantel shelf projecting a maximum of 12" from the wall may be installed a minimum distance of 12" from the top of the firebox opening.



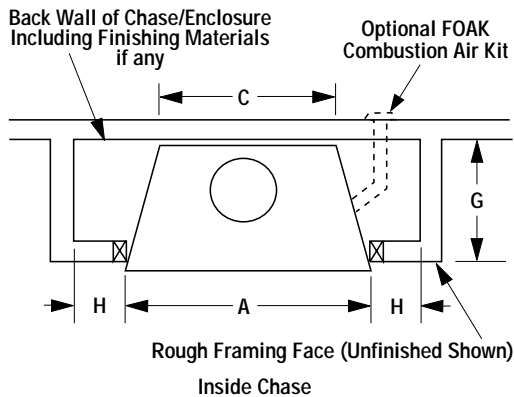
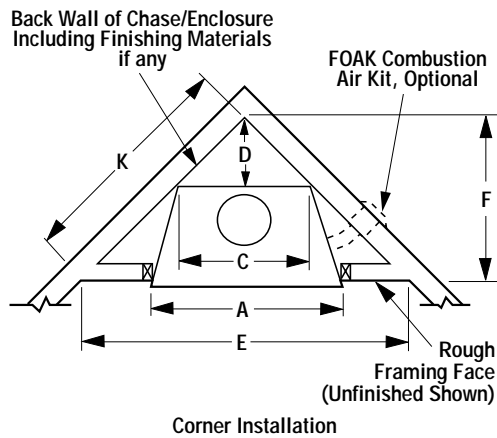
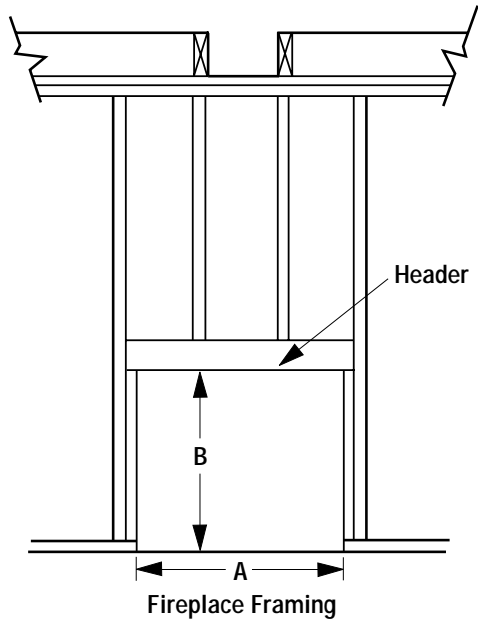
*Note: Combustible wall finish materials and/or surround materials must not be allowed to encroach the area defined by the appliance front face (black sheet metal). Never allow combustible materials to be positioned in front of or overlapping the appliance front face.*

NOTE: DIAGRAMS & ILLUSTRATIONS NOT TO SCALE.



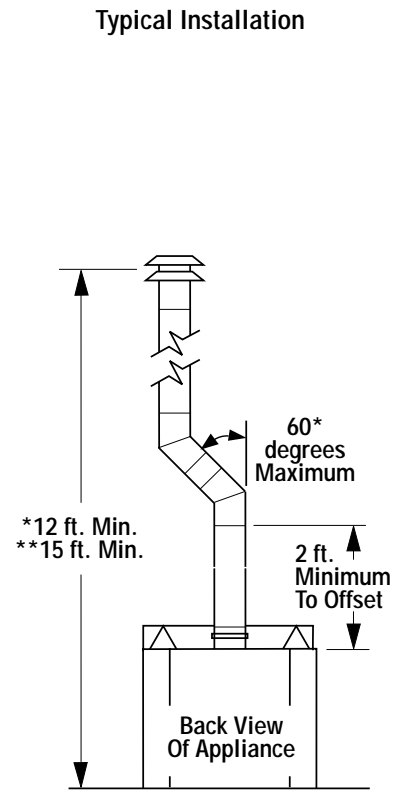
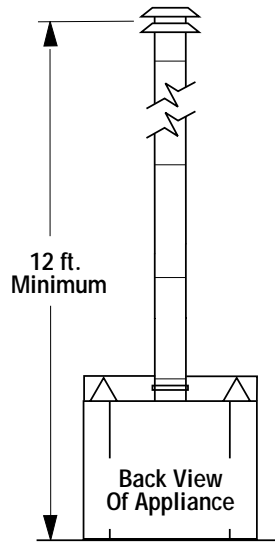
# MERIT™ SERIES / LMBV-36

## Framing Specifications



**Note:** Nailing flange is adjustable from 5/8" to 1/2".

NOTE: DIAGRAMS & ILLUSTRATIONS NOT TO SCALE.



\*with an offset up to 45 degrees  
\*\* with an offset greater than 45 degrees and up to 60 degrees

### LMBV-36 Framing Dimensions

A	42 1/4"	1073 mm
B	37 1/2"	953 mm
C	28 3/4"	730 mm
D	15 3/8"	391 mm
E	70"	1778 mm
F	35"	889 mm
G	20 5/8"	524 mm
H*	4"	102 mm
J	19 5/8"	498 mm
K	49 1/2"	1257 mm

\* When FOAK is used.

**Note:** All framing dimensions calculated for 1/2" dry wall at the appliance face. If sheathing the chase or finishing with other thickness materials, calculations will need to be made.

Input of appliance is 24,000 BTU/HR.

Gas Type	Orifice Size	Elevation
Natural	#42 (.0935)	0 - 4500' (0 - 1370 m)
Propane	(.058)	0 - 4500' (0 - 1370 m)

**LENNOX**  
HEARTH PRODUCTS