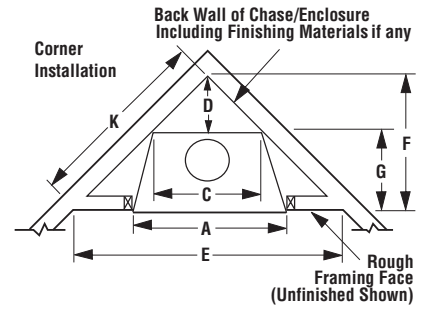


MPB-3328/3530/4035/4540

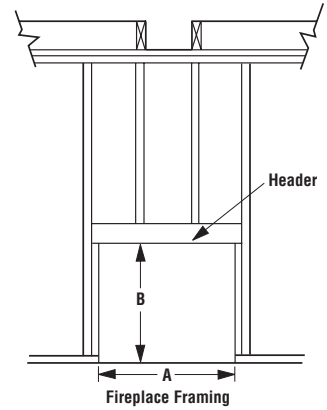
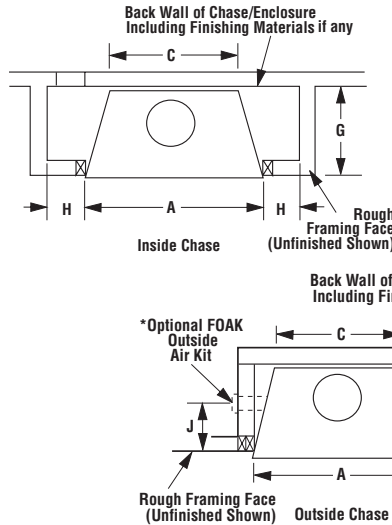
Framing Specifications

Model No.		A Unit Size	A Framing Size	B	C	D	E	F	G	H	J	K
MPB3328	in.	33-1/8	33-1/4	33-1/4	21-1/2	11-1/4	48-1/2	24-1/4	13	4	4-1/16	34-5/16
	mm	842	845	845	546	286	1232	616	330	102	103	872
MPB3530	in.	35-1/8	35-1/4	35-1/4	24-7/8	12-3/4	57-1/2	28-3/4	16	4	7-1/16	40-5/8
	mm	892	895	895	632	324	1460	730	406	102	179	1032
MPB4035	in.	40-1/8	40-1/4	40-1/4	29-7/8	14-11/16	61-13/16	30-11/16	16	4	7-1/16	43-11/32
	mm	1019	1022	1022	759	373	1570	779	406	102	179	1101
MPB4540	in.	45-1/8	45-1/4	40-1/4	34-7/8	17-3/16	66-3/8	33-3/16	16	4	7-1/16	46-15/16
	mm	1146	1149	1022	886	437	1686	843	406	102	179	1192

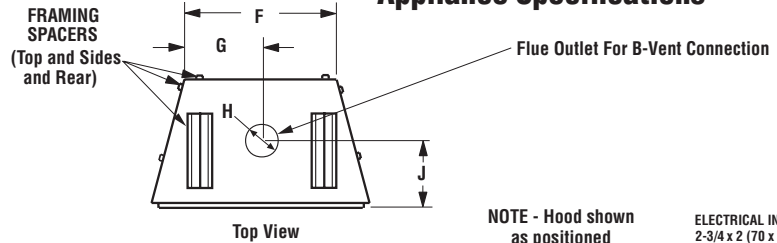


INPUT (BTU) - MV & ELECTRONIC		
Natural (NG) & Propane (LP) Gas		
Models	Fuel	Input Rate (BTU / HR)
MPB-3328	NG	High 17,500 (MV Low 13,500)
	LP	High 17,500 (MV Low 13,500)
MPB-3530	NG	High 20,000 (MV Low 16,000)
	LP	High 20,000 (MV Low 16,500)
MPB-4035	NG	High 30,000 (MV Low 24,000)
	LP	High 28,000 (MV Low 22,300)
MPB-4540	NG	High 31,000 (MV Low 24,750)
	LP	High 29,000 (MV Low 23,000)

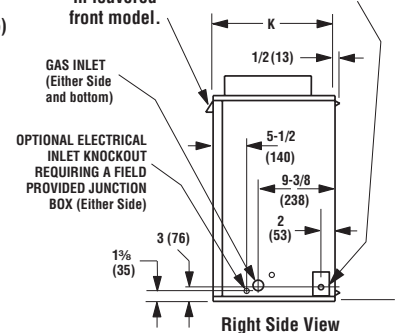
PRODUCT REFERENCE INFORMATION			
Cat. No.	Model	Ship Weight - pounds	Shipping Volume - cubic feet
H1918	MPB-3328CNM	77.5	13.08
H1919	MPB-3328CPM	77.5	13.08
H1920	MPB-3328CNE	77.5	13.08
H1921	MPB-3530CNM	113	15.75
H1922	MPB-3530CPM	113	15.75
H1923	MPB-3530CNE	113	15.75
H1924	MPB-4035CNM	147	20.18
H1925	MPB-4035CNE	147	20.18
H1926	MPB-4540CNM	160	22.64
H1927	MPB-4540CNE	160	22.64



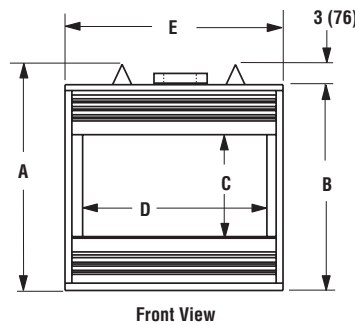
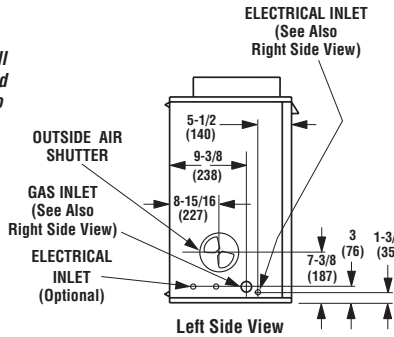
Appliance Specifications



NOTE - Hood shown as positioned in louvered front model.



Due to Lennox' ongoing commitment to quality, all specifications, ratings and dimensions are subject to change without notice.



Model No.		A	B	C	D	E
MPB3328	in.	33-1/8	30-1/8	17	27-1/2	33-1/8
	mm	841	765	432	699	841
MPB3530	in.	35-1/8	32-1/8	19	29-1/2	35-1/8
	mm	892	816	483	749	892
MPB4035	in.	40-1/8	37-1/8	24	34-1/2	40-1/8
	mm	1019	943	610	876	1019
MPB4540	in.	40-1/8	37-1/8	24	39-1/2	45-1/8
	mm	1146	943	610	1003	1146

Tested & Listed By  Beaverton Oregon USA
OMNI-Test Laboratories, Inc.
OTL Report No. 116-F-36-5

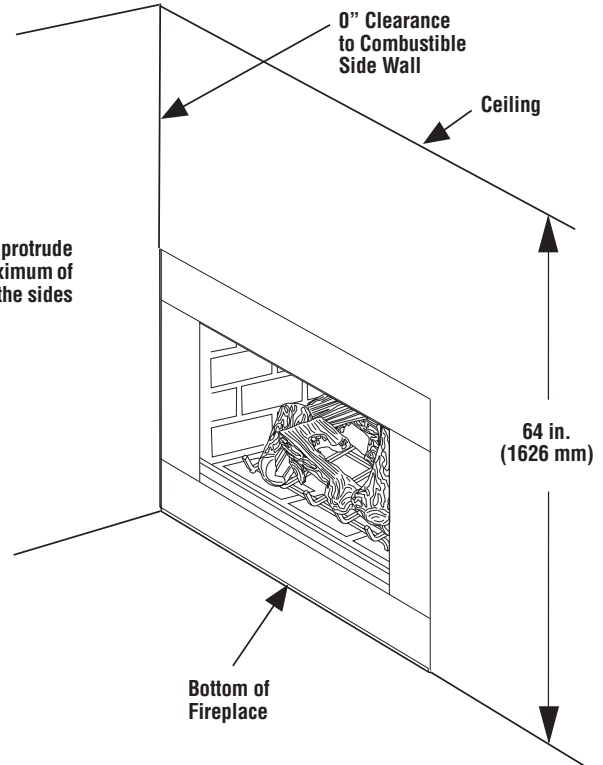
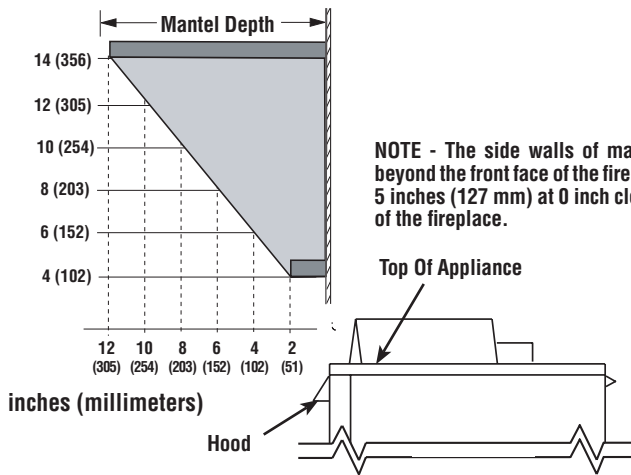
LENNOX
HEARTH PRODUCTS

Model No.		F	G	H	J	K
MPB3328	in.	21-1/2	10-3/4	4	6-1/2	13
	mm	546	273	102	165	330
MPB3530	in.	24-7/8	12-7/16	5	8-3/4	16
	mm	621	316	127	222	406
MPB4035	in.	29-7/8	14-15/16	5	8-3/4	16
	mm	759	379	127	222	406
MPB4540	in.	34-7/8	17-7/16	6	8-3/4	16
	mm	886	443	152	222	406

MPB-3328/3530/4035/4540

Clearances

Minimum Mantel Clearances



Approved for Manufactured Home installations

MINIMUM CLEARANCES Inches (millimeters)	
Back	1/2 (13)
Sides	1/2 (13)
Top Spacers	0 (0)
Floor	0 (0)
Bottom of Appliance To Ceiling	64 (1626)
Vent	1 (25.4)
SERVICE CLEARANCES Feet (meters)	
Front & Back Faces	3 ft. (0.9 m)

Table 8

*Note: See Page 6, Step 3 in Installation Manual for clearance requirements to the nailing flange located at each side of the unit and any screw heads adjacent to it.

Typical Installations

