

MONTEBELLO™ PV

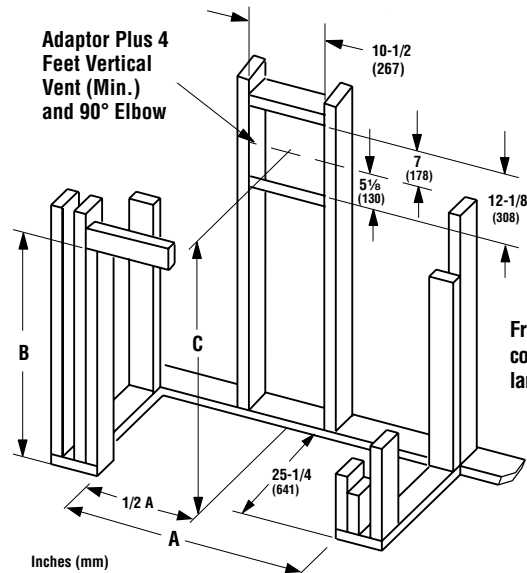
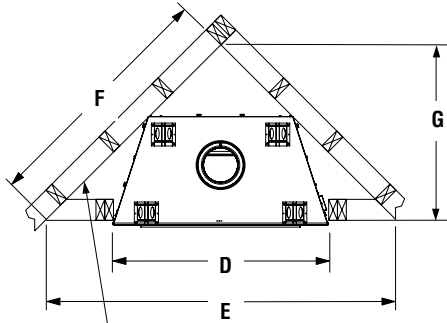
Appliance Specifications

POWER-VENTED GAS FIREPLACES DIRECT VENT MODELS

DAVE LENNOX
signature
COLLECTION™

| Product Reference Information | | | |
|-------------------------------|------------|-----------|--------------|
| Cat. No. | Model | Ship. Wt. | Ship. Volume |
| LSM40EN-PV (2 boxes) | | | |
| H7773 | LSM40EN-PV | 307 lb. | 57 cu. ft. |
| H7920 | LSMPVK | 32 lb. | 7 cu. ft. |
| LSM45EN-PV (2 boxes) | | | |
| H7774 | LSM45EN-PV | 307 lb. | 57 cu. ft. |
| H7920 | LSMPVK | 32 lb. | 7 cu. ft. |

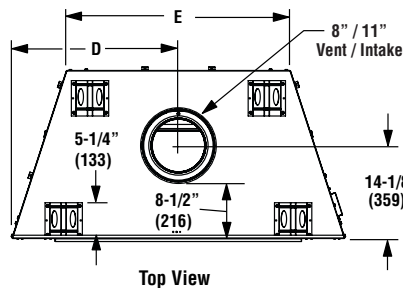
Framing Dimensions



Back wall of chase-enclosure (including any finishing materials)

| Framing Dimensions - Inches (millimeters) | | | | | | | |
|---|---------------|-----------|----------------|---------------|---------------|---------------|---------------|
| Model | A | B | C | D | E | F | G |
| LSM40-PV | 50-3/4 (1289) | 43 (1092) | 139-1/8 (3534) | 50-5/8 (1286) | 83-5/8 (2124) | 59-1/8 (1502) | 41-7/8 (1064) |
| LSM45-PV | 56-7/8 (1445) | 48 (1219) | 144-1/8 (3661) | 56-3/4 (1441) | 89-7/8 (2283) | 63-1/2 (1613) | 44-7/8 (1140) |

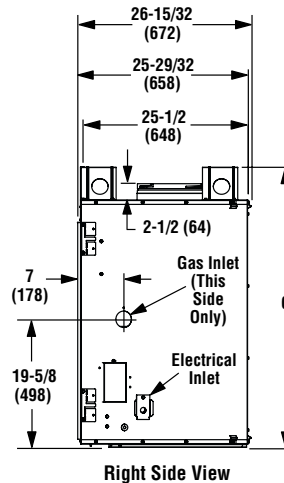
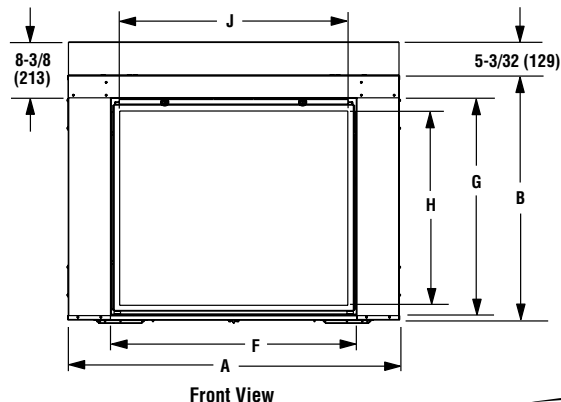
| Vent Size | |
|--|---|
| Co-axial DV Collar on Fireplace - Adaptor Probe Reduces Vent Size To - | 8" Inner / 11" Outer 4-1/2" Inner / 7-1/2" Outer |



| Fireplace Dimensions - Inches (millimeters) | | | | |
|---|-----------------|---------------|---------------|---------------|
| Model | A | B | C | D |
| LSM40-PV | 50-5/8 (1286) | 37-1/4 (946) | 42-7/8 (1089) | 25-5/16 (643) |
| LSM45-PV | 56-11/16 (1440) | 42-1/4 (1073) | 47-7/8 (1216) | 28-3/8 (721) |

| Model | E | F | G | H | J |
|----------|---------------|---------------|---------------|---------------|-----------------|
| LSM40-PV | 34 (864) | 37-5/8 (956) | 33-3/32 (840) | 29-9/32 (744) | 34-3/4 (883) |
| LSM45-PV | 40-1/8 (1019) | 43-5/8 (1108) | 38-3/32 (968) | 34-1/2 (876) | 40-59/64 (1039) |

Fireplace Dimensions



Listing Information

Tested to ANSI Z21.50b in both the USA, as a vented gas fireplace.

Tested & Listed By **OTL US** Portland Oregon USA
OMNI-Test Laboratories, Inc.

OTL Report No. 116-F-22-5

MONTEBELLO™ PV

Specifications

Notes
Diagrams, illustrations and photographs are not to scale – consult installation instructions. Product designs, materials, dimensions, specifications, colors and prices are subject to change or discontinuance without notice.

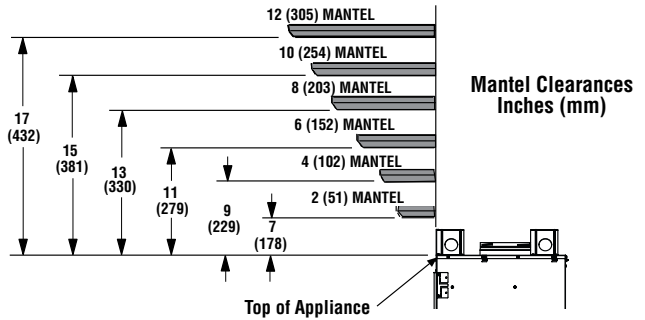
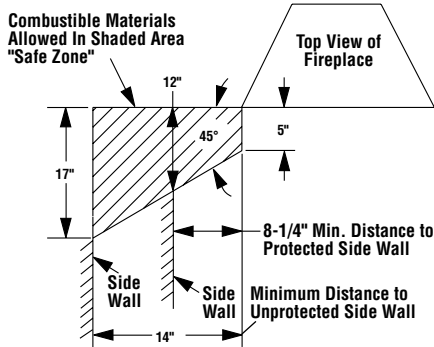
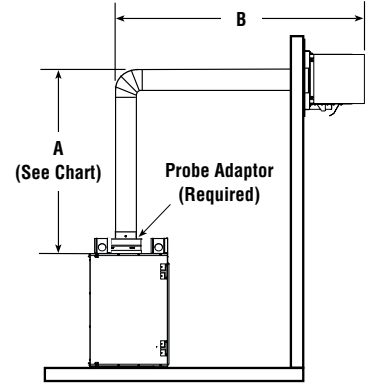
| INPUT RATES: BTU/HR. | | | | |
|----------------------|------------|----------|--------|--------|
| Model | Valve Type | Gas | High | Low |
| LSM40EN-PV | Electronic | Natural | 42,000 | 32,500 |
| LSM45EN-PV | Electronic | Natural | 42,000 | 32,500 |
| LSM40EP-PV* | Electronic | Propane* | 40,500 | 30,000 |
| LSM45EP-PV* | Electronic | Propane* | 40,500 | 30,000 |

* If field converted to propane

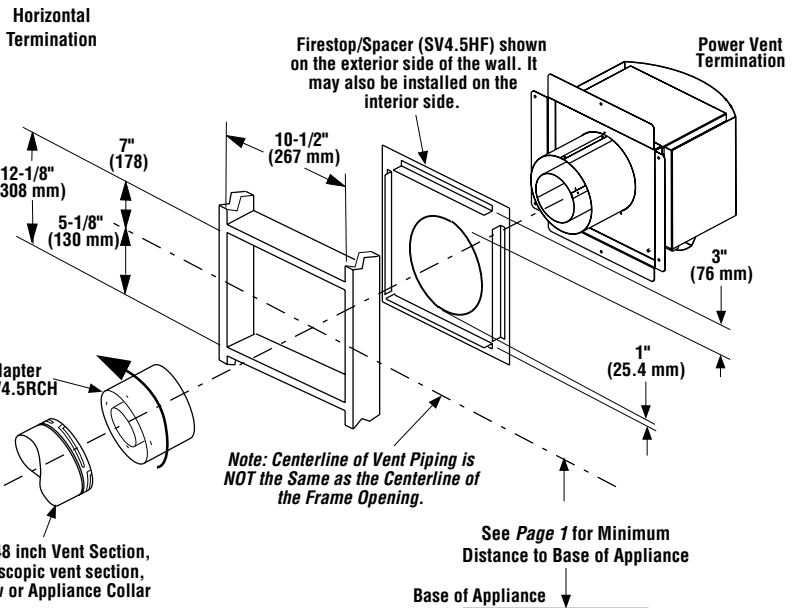
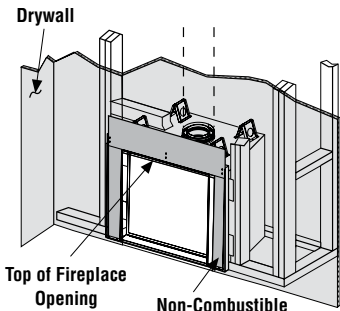
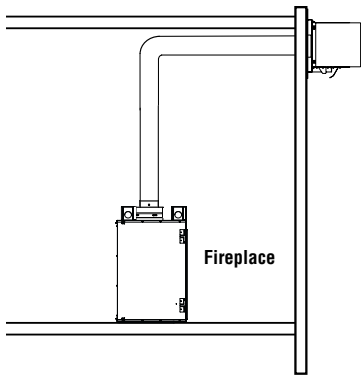
Clearances

| Minimum Clearances Inches (millimeters) | |
|---|--------------------------------------|
| Back | 1/2 (13) - 0 (0) Spacers |
| Sides | 1/2 (13) - 0 (0) Spacers |
| Top Spacers | 0 (0) |
| Floor | 0 (0) |
| Bottom of Appliance To Ceiling | 69 (1743) |
| Vent | 3 (76) Top - 1 (25.4) Sides & Bottom |
| Service Clearances -Feet (meters) | |
| Front | 3 ft. (0.9 m) |

| Power Vent Venting Chart | | |
|------------------------------------|--|--|
| Maximum Number Of Elbows | - | 6 |
| Maximum Feet Of Run | A + B | 110 feet |
| Minimum Horizontal Run | B | 8 feet |
| Minimum Vertical Run | A | Adaptor Plus 4 Feet Vertical Vent (Min.) and 90° Elbow |
| Maximum Vertical Rise | A | 66 feet |
| Minimum Clearances To Combustibles | | |
| Vertical Vent Pipe | 1.0 in. (25.4 mm) | |
| Horizontal Vent Pipe | Top - 3.0 in. (76.2 mm) Sides - 1.0 in. (25.4 mm) Bottom - 1.0 in. (25.4 mm) | |



Venting



LENNOX
HEARTH PRODUCTS

Printed in U.S.A. © 2009 by LENNOX HEARTH PRODUCTS
P/N 506035-32 REV. A 10/2009