

# RADIUM™

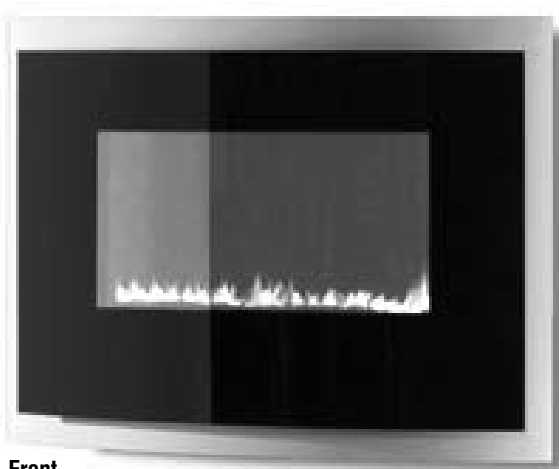
DAVE LENNOX  
*signature*  
COLLECTION™

## Appliance Specifications

Product Reference Information			
Cat. No.	Model	Ship. Wt.	Ship. Volume
H6064	Radium-NG	75 lb.	12.9 cu. ft.
H6070	Radium-LP	75 lb.	12.9 cu. ft.

## Radium™ Catalytic Vent-free Fireplaces

Ratings	
Input	NG = 5,110 - 8,870 BTU/HR LP = 5,110 - 7,500 BTU/HR
Fuel	Natural Gas and Propane Gas
Venting	Ventless (No Chimney Or Flue Required)
Efficiency	99.99%
Installation	Wall-Mounted (Mounting Template Supplied)
Wall Requirements	Any Wall Surface, Including Combustible Surfaces (Unit Can Not Be Recessed Into Wall)
Manual Control	Manual Rotary - Concealed Behind Glass
Inlet Pressure	NG - Min. 6" W.C., Max. 10.5" W.C. LP - Min. 11" W.C., Max. 13" W.C.
Ignition	Piezo
Finish	Curved Black Glass/ Curved Aluminum Rear Frame
Safety Features	O.D.S. - Oxygen Depletion Sensor
Minimum Room Size	450 Cubic Feet*



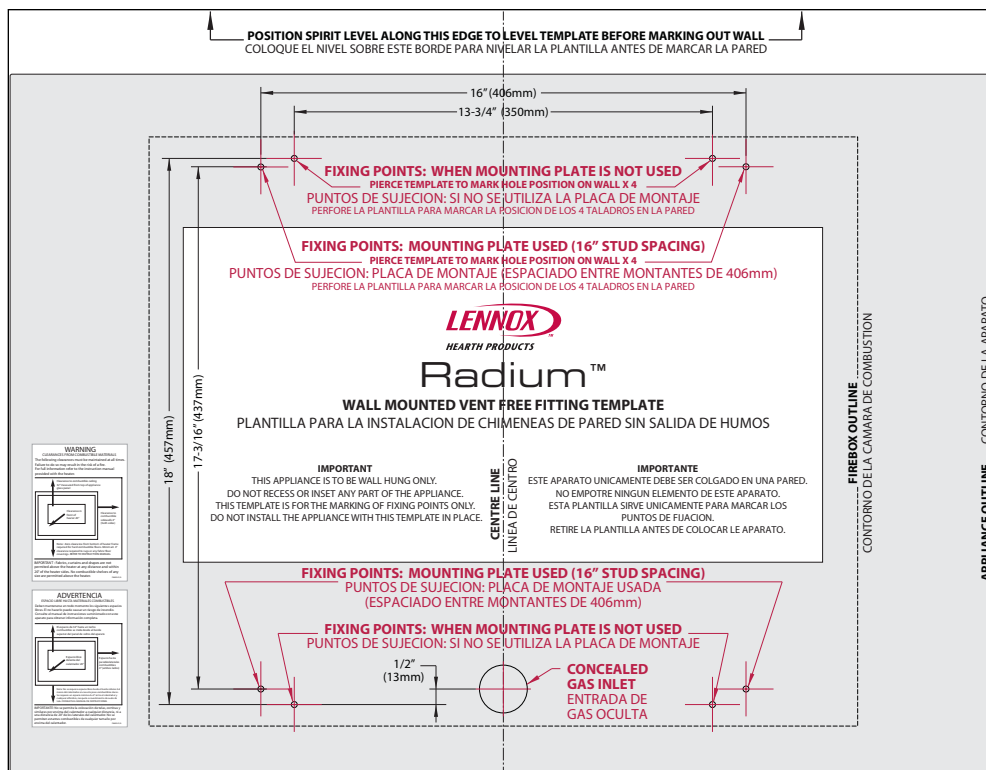
Front View



Side View

\* Does not include any additional fuel burning appliances in the space. If you have any additional gas burning appliances in the space, follow combustion and ventilation air section from product installation instructions.

A FULL SIZE TEMPLATE IS SUPPLIED TO ASSIST WITH WALL MOUNTING



## Listing Information

This Lennox Hearth Products unvented gas room heater is certified by OMNI-Test Laboratories, Inc to ANSI Z21.11.2 standard.



OMNI-Test Laboratories, Inc.

OTL Report No. 317-S-04-5

Diagrams, illustrations and photographs are not to scale - consult installation instructions. Product designs, materials, dimensions, specifications, colors and prices are subject to change or discontinuance without notice.

# RADIUM™

## Combustible Clearances

Side Clearance To Combustibles: 4"

Side Clearance To Curtains, Drapes and Other Fabrics: 20"

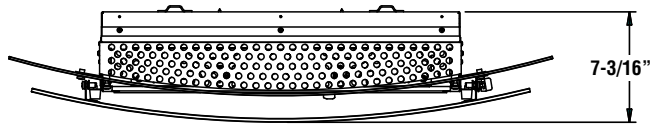
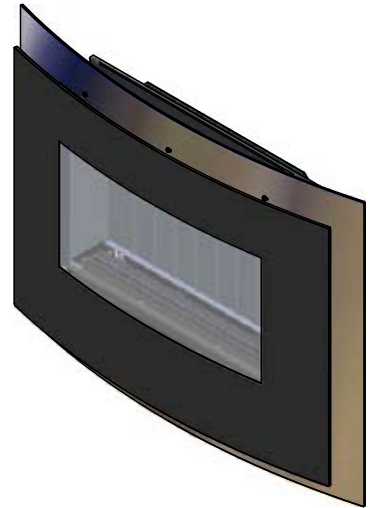
Minimum Clearance To Ceiling Above Appliance: 32" (measured from top of glass panel)

Clearance To Combustibles Placed Directly In Front Of Unit: 40"

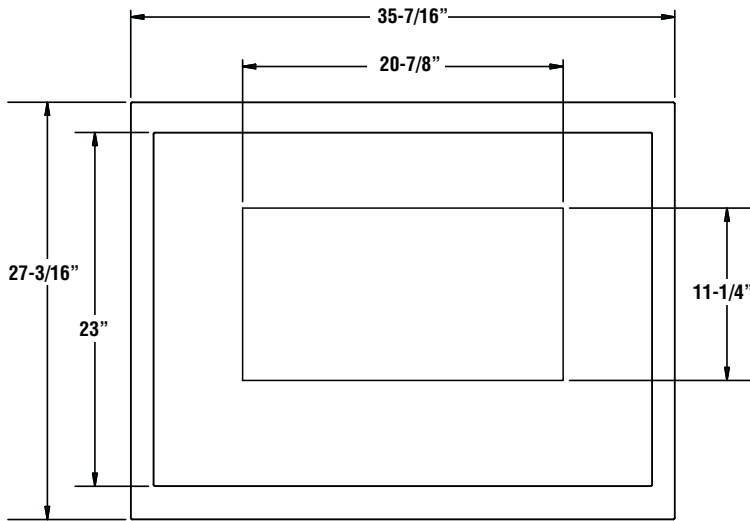
Due to heat output, electronic appliances such as televisions, should not be mounted on the wall above the unit

Approved for installation into bedrooms

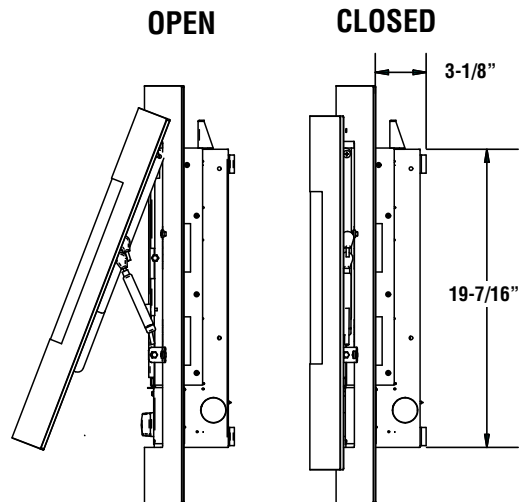
**Note: See installation instructions manual supplied with fireplace, for specific installation details**



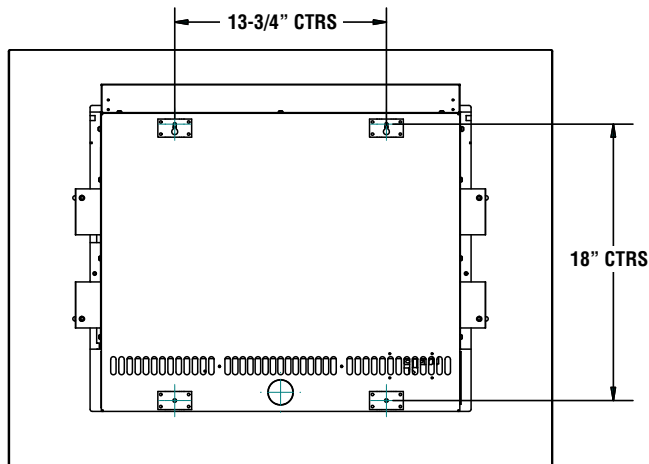
Top View



Front View



Side View



Back View

## Fireplace Dimensions